

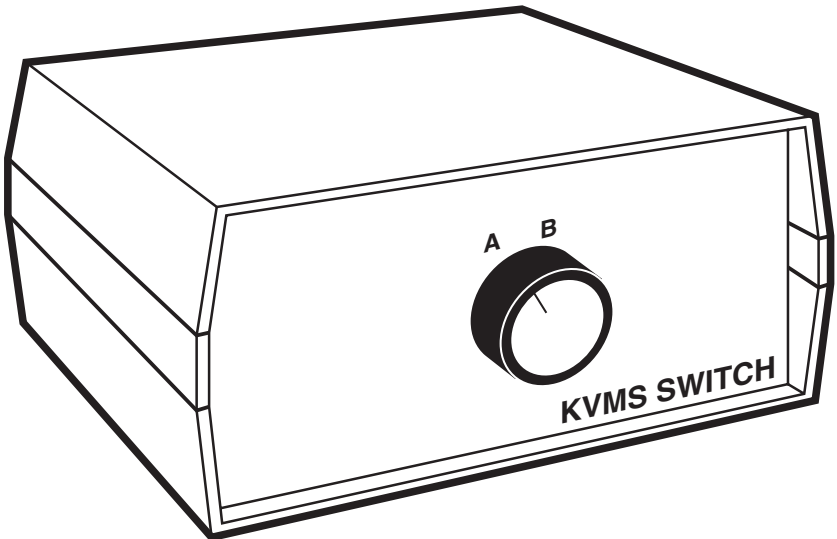


© Copyright 1995. Black Box Corporation. All rights reserved.

1000 Park Drive • Lawrence, PA 15055-1018 • 724-746-5500 • Fax 724-746-0746



KVMS/RS6000 Switch 2-1
KVMS/RS6000 Switch 3-1
KVMS/RS6000 Switch 4-1
KVMS/RS6000 Switch 5-1
KVMS/RS6000 Switch 6-1



TRADEMARKS USED IN THIS MANUAL

XGA is a registered trademark of International Business Machines Corporation.

Any other trademarks mentioned in this manual are acknowledged to be the property of the trademark owners.

1. Specifications

Leads Supported — DB15HD: 1–8, 10–14, (pin 9 is keyed); mini-DIN, 6-pin, 2 each: all six leads supported

Switches — (1) rotary switch for selecting the processor

Connectors — Mouse and keyboard: 6-pin DIN (female); Monitor: DB15HD (female)

MTBF — 25,000 switching cycles

Temperature — -4 to +158°F (-20 to +70°C)

Humidity — Up to 95%, noncondensing

Power — None required; unit is nonpowered

Size — SW970A: 3.5"H x 6"W x 6.3"D (8.9 x 15.2 x 16 cm); All models except SW970A: 3.5"H x 19"W x 5.9"D (8.9 x 48.3 x 15 cm)

Weight — SW970A: 1.5 lb. (0.7 kg); All models except SW970A: 8.4 lb. (3.8 kg)

2. Introduction

2.1 Overview

The RS6000 Keyboard/Video/Mouse Switch is an economical way to let two (or more) RS6000 processors be accessed by a single keyboard/video/mouse display station. This manual Switch is designed for those RS6000 systems that require keyboard audio, so you won't lose the keyboard's audio capability.

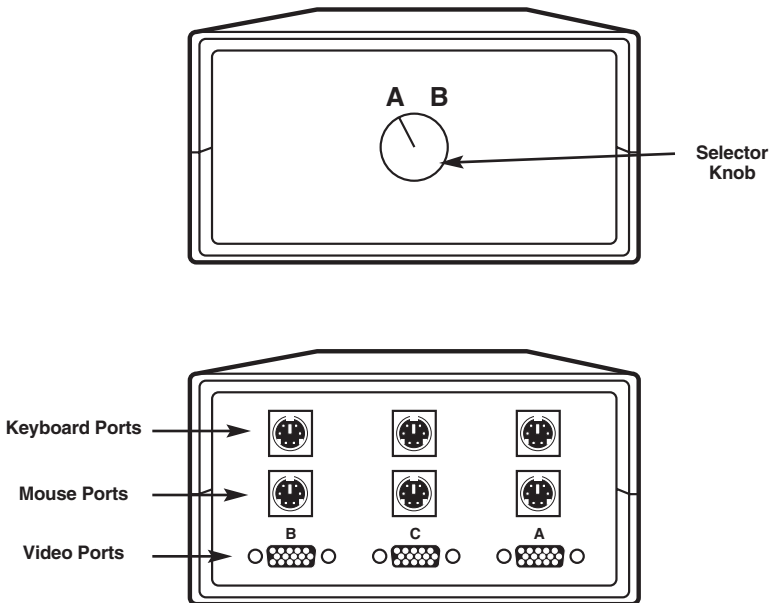
2.2 Features

- The Switch allows two different RS6000 processors to be accessed by a single keyboard and monitor without the keyboard “freezing.” You save time because you won't waste time rebooting the computer each time you switch. And you save money—no extra keyboards and monitors to buy.
- The Switch is easy to install and operate. No more frustration plugging and unplugging bundles of tangled cable.
- Supports VGA, SVGA, and XGA®.

3. Installation and Operation

Follow these steps to install the Switch.

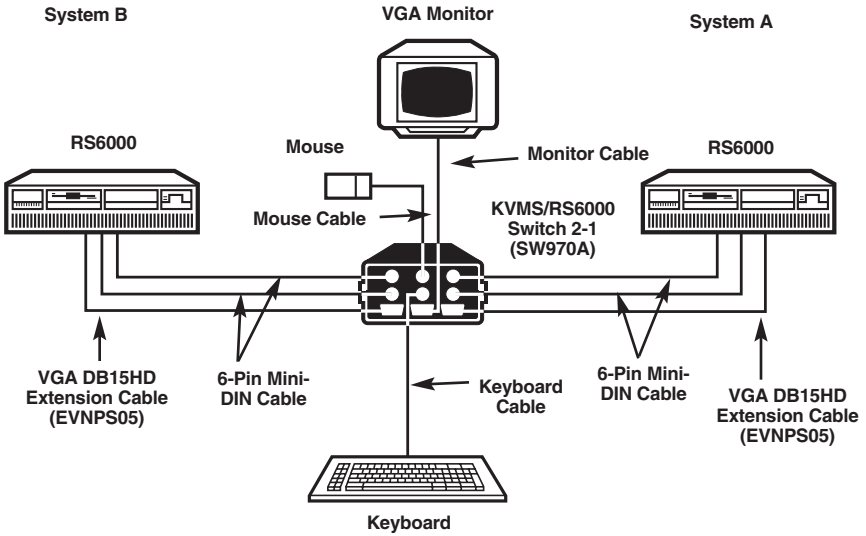
1. Turn off all power to the RS6000 processor and monitor.
 2. Plug the cables from the mouse, keyboard, monitor, and processor into the Switch. (See the diagrams below and on the next page.)
- The common component plugs into the socket marked "C" on the rear panel.
 - The components to be switched plug into the sockets marked "A" and "B." These correspond to the positions of the front-panel selector knob.



Front and Rear Views of the Switch.

KVMS/RS6000 SWITCHES

3. With multiple CPUs, power up the CPU indicated by the selector knob. Select another CPU with the selector knob, and then power up that CPU.



Two RS6000 Processors Accessed by a Single Workstation.