



© Copyright 2000. Black Box Corporation. All rights reserved.

1000 Park Drive • Lawrence, PA 15055-1018 • 724-746-5500 • Fax 724-746-0746



BLACK BOX[®]
NETWORK SERVICES



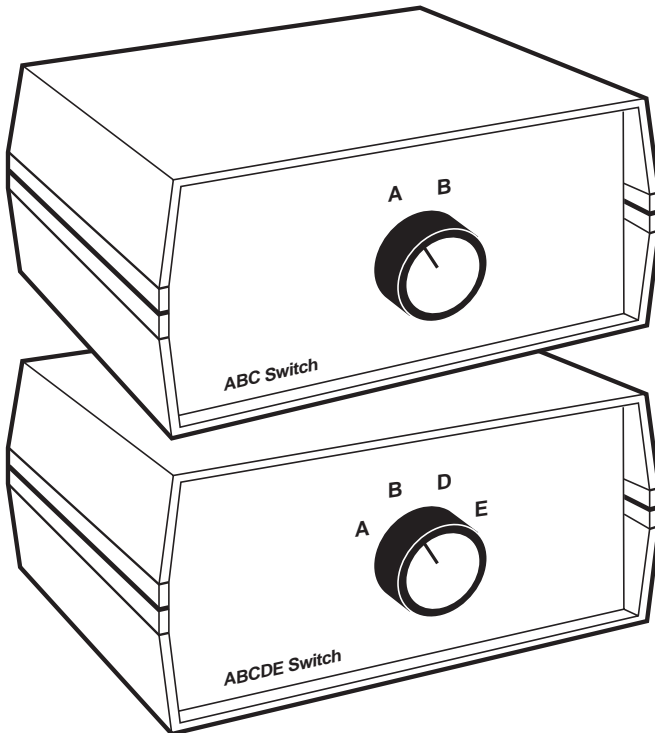
FEBRUARY 2000

SW045A-FFF	SW045B-FFF	SW045D-FFF
SW045A-FFM	SW045B-FFM	SW046A-FFFF
SW045A-MMF	SW045B-MMF	SW046A-FFMFF
SW045A-MMM	SW045B-MMM	SW046A-MMFMM
SW045AX	SW045BX	SW046A-MMMMM

Ethernet Transceiver Switches

ABC (2 to 1)

ABCDE (4 to 1)



**CUSTOMER
SUPPORT
INFORMATION**

Order **toll-free** in the U.S. 24 hours, 7 A.M. Monday to midnight Friday: **877-877-BBOX**
FREE technical support, 24 hours a day, 7 days a week: Call **724-746-5500** or fax **724-746-0746**
Mail order: **Black Box Corporation**, 1000 Park Drive, Lawrence, PA 15055-1018
Web site: www.blackbox.com • E-mail: info@blackbox.com

1. Specifications

Switch—(1) Rotary, 2-position, break-before-make

Connectors—SW045: (3) DB15 female; SW046: (5) DB15 female

Enclosure—High-impact plastic

Power—None required

Size—3.5"H x 6"W x 6.3"D (8.9 x 15.2 x 16 cm)

Weight—1.5 lb. (0.7 kg)

2. Introduction

2.1 Typical Application

With an Ethernet Transceiver Switch, you can switch one Ethernet device or segment between two Ethernet networks (see **Figure 1**). A rotary switch on the front panel controls this operation.

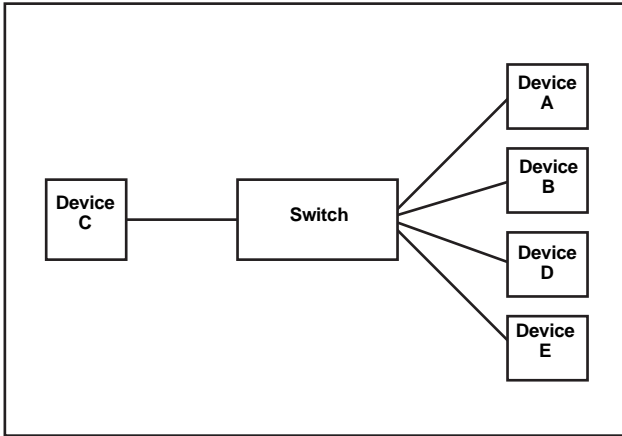


Figure 1. A Typical Application.

2.2 Connectors

Three female DB15 connectors, labeled A, B, and C, are mounted on the rear panel of the SW045 (see **Figure 2**). All 15 of the leads are switched. Five female DB15 connectors, labeled A, B, C, D, and E, are mounted on the rear panel of the SW046A (see **Figure 3**).

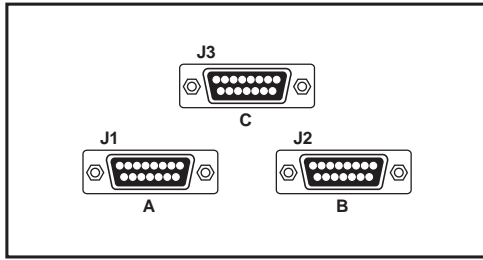


Figure 2. SW045 Rear Panel.

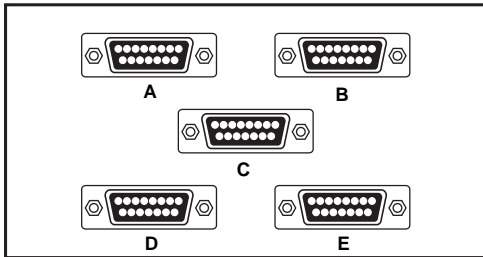


Figure 3. SW046 Rear Panel.

3. Installation

1. Connect the cable from the device you want to share to the “C” connector on the rear panel of the switch.
2. Connect the cables from the devices that are to be switched to connectors “A” and “B” on the rear panel of the SW045 or connectors “A,” “B,” “D,” or “E” of the SW046A.
3. Set the rotary switch on the front panel as required (see **Chapter 4**).
4. The ABC or ABCDE switch is now ready for operation.

4. Operation

The rotary switch on the front panel controls the switching of the common connector “C” to connector “A” or “B” of the SW045 (see **Figure 4** and **Table 1**) or connector “A,” “B,” “D,” or “E” of the SW046 (see **Figure 5** and **Table 2**).

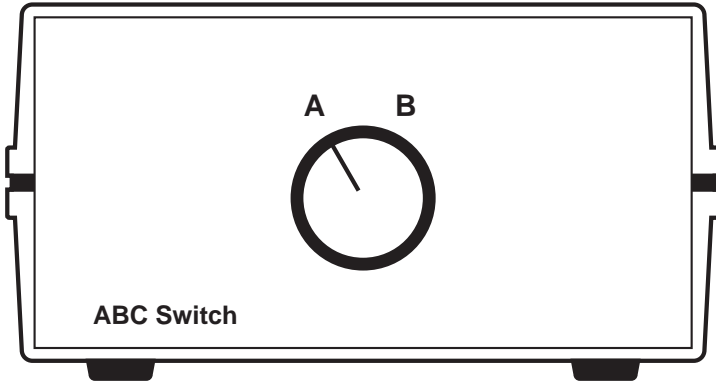


Figure 4. Front Panel of the SW045.

Table 1. Switch Positions of the SW045

Switch Position	Connection
A	Device “C” is connected to device “A”
B	Device “C” is connected to device “B”

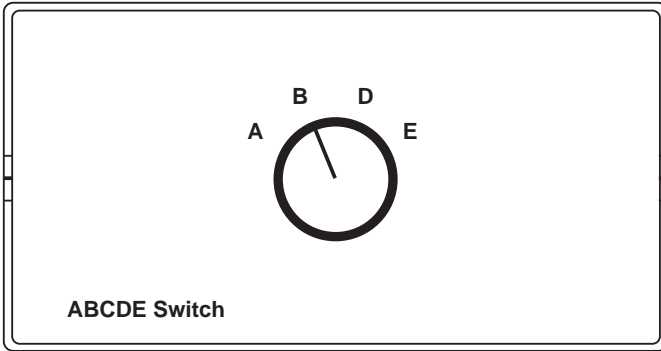


Figure 5. Front Panel of the SW046.

Table 2. Switch Positions of the SW046

Switch Position	Connection
A	Device "C" is connected to device "A"
B	Device "C" is connected to device "B"
D	Device "C" is connected to device "D"
E	Device "C" is connected to device "E"