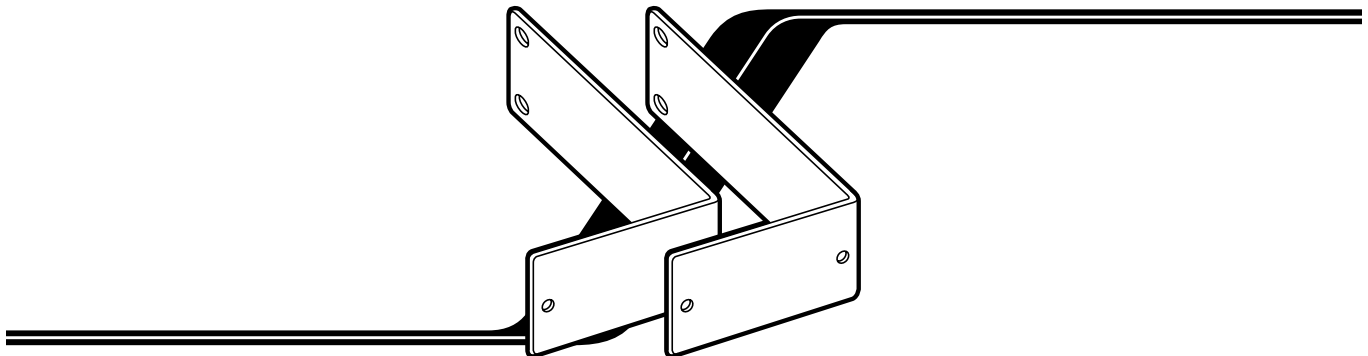


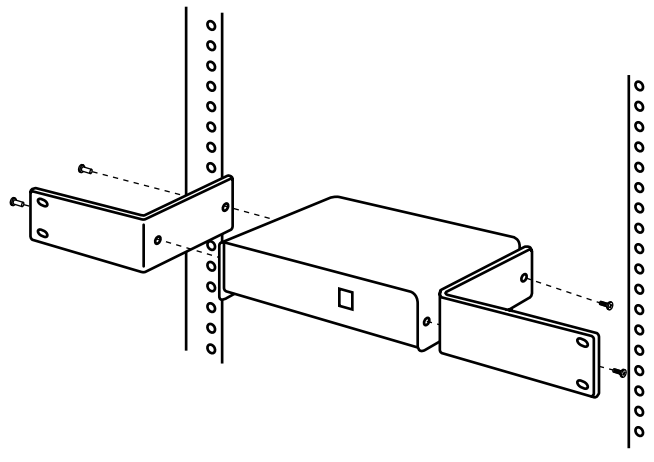


Rackmount Kit for Local Units of the Dual-Access ServSwitch™ Brand CAT5 KVM Extender with Serial Extension



You can use this two-bracket Rackmount Kit to mount *Local Units only* of the Dual-Access model of the ServSwitch™ brand CAT5 KVM Extender with Serial Extension (our product code ACU1008A) in a 19" rack. (These Units are slightly wider than most other Extender Units, which require the RMK19U Rackmount Kit.) To do so, take these steps, referring to the illustration below:

1. Unscrew and keep the two screws on each side of the Local Unit's case.
2. Match up the two holes in the "Unit end" of each Kit bracket with the two now-vacant screwholes on each side of the Local Unit, then fasten the brackets to the Unit with the screws you removed in step 1.
3. Once you've attached both brackets, match the holes in the "rack end" of each bracket to an appropriate set of matching holes on your equipment rack, then screw the Local Unit assembly to the rack using your own screws, bolts, or cage nuts (not included).



©Copyright 1999. Black Box Corporation. All rights reserved.

**CUSTOMER
SUPPORT
INFORMATION**

Order **toll-free** in the U.S. 24 hours, 7 A.M. Monday to midnight Friday: **877-877-BBOX**
FREE technical support 24 hours a day, 7 days a week: Call **724-746-5500** or fax **724-746-0746**
Mail order: **Black Box Corporation**, 1000 Park Drive, Lawrence, PA 15055-1018
Web site: www.blackbox.com • E-mail: info@blackbox.com