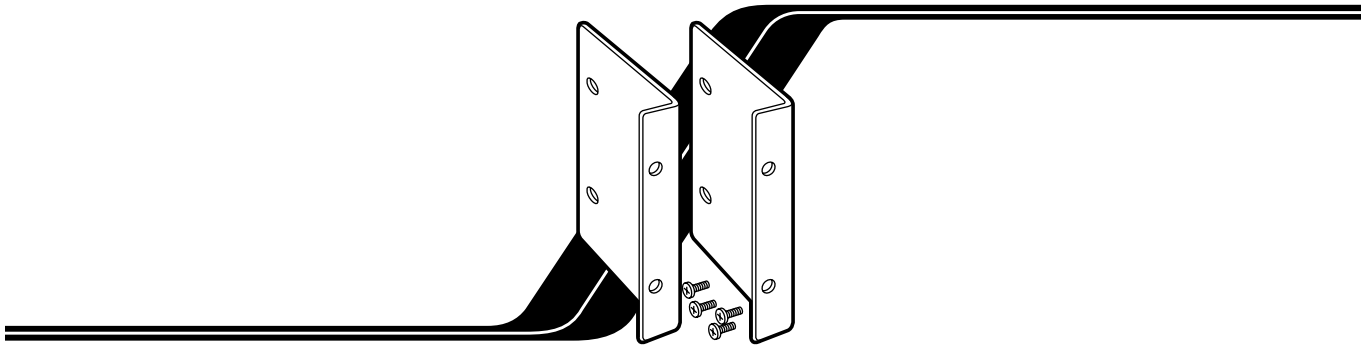




Rackmount Kits for ServSwitch™ Affinity



You can use these Rackmount Kits (which consist of two rackmounting “ears” and four screws) to mount a ServSwitch™ Affinity in a standard equipment rack:

- The RMK_{xxx}A Kits fit the 4- and 8-User Affinity models (product codes KV130A, KV132A, KV134A, and KV138A). Use the RMK19A Kit for a 19" rack, RMK23A for a 23" rack, or RMK24A for a 24" rack.
- The RMK_{xxx}A139 Kits fit the 16-User Affinity model (product code KV139A). Use the RMK19A139 Kit for a 19" rack, RMK23A139 for a 23" rack, or RMK24A139 for a 24" rack.

Keep these guidelines in mind when you mount the Affinity:

- The Affinity works in ambient temperatures up to 50°C (122°F).
- Leave at least one rack-unit buffer (1U, 1.8", 4.4 cm) of empty vertical space above and below the Affinity.
- Consider installing 1U-size rack-vent panels between units to provide them with adequate airflow.
- Keep the front and rear doors closed on racks equipped with forced-air blowers or fans.
- Tighten all connectors securely and provide adequate strain relief for all cables.
- Provide a grounded power source for all units. Pay special attention to the load ratings of all equipment you plug into this power source: Overloaded circuits are potential fire hazards and can cause equipment failure and poor performance.

(continued on back)

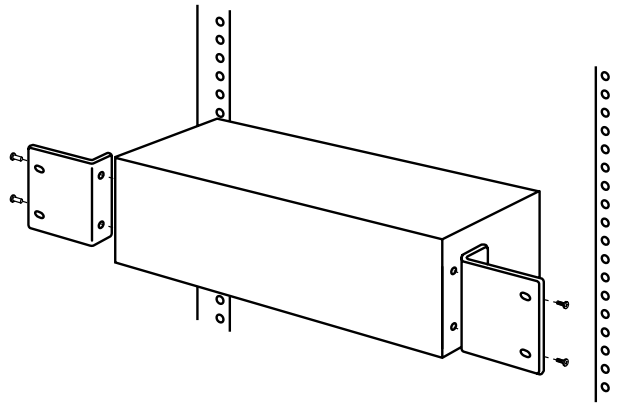
**CUSTOMER
SUPPORT
INFORMATION**

Order **toll-free** in the U.S.: Call **877-877-BBOX** (outside U.S. call **724-746-5500**)
FREE technical support 24 hours a day, 7 days a week: Call **724-746-5500** or fax **724-746-0746**
Mailing address: **Black Box Corporation**, 1000 Park Drive, Lawrence, PA 15055-1018
Web site: www.blackbox.com • E-mail: info@blackbox.com

RACKMOUNT KITS FOR SERVSCHWITCH™ AFFINITY

To use a Kit to mount a ServSwitch Affinity, take these steps, referring to the illustration below:

1. Unscrew and remove the two screws on each side of the Affinity.
2. Match up the two holes in the “chassis end” of each Kit ear with the two holes that you just removed the screws from, then fasten the ear to the Switch with two of the new screws included with the Kit.
3. Once you’ve attached both ears, match the holes in the “rack end” of each ear to an appropriate set of matching holes on your equipment rack, then screw the Affinity assembly to the rack using your own screws, bolts, or cage nuts (not included).



BLACK BOX and the  logo are registered trademarks, and ServSwitch and ServSwitch Affinity are trademarks, of Black Box Corporation.

© Copyright 2000. Black Box Corporation. All rights reserved.

CUSTOMER SUPPORT INFORMATION

Order **toll-free** in the U.S.: Call **877-877-BBOX** (outside U.S. call **724-746-5500**)
FREE technical support 24 hours a day, 7 days a week: Call **724-746-5500** or fax **724-746-0746**
Mailing address: **Black Box Corporation**, 1000 Park Drive, Lawrence, PA 15055-1018
Web site: www.blackbox.com • E-mail: info@blackbox.com