

BLACK BOX Catalogue Ltd
The Source for Connectivity



RMB1900
RMB3000
RMB6000

ServCentre Racks & Accessories.



TECHNICAL: (0118) 931 2233
SALES: (0118) 965 5100
FAX: (0118) 931 1727
ADDRESS: 15 Cradock Road, Reading, Berkshire RG2 0JT
WEB: www.blackbox.co.uk

How To Contact your Local Black Box

Italia:

Black Box Italia S.P.A

Tel: 0227400280

Fax: 0227400219

Web Site: www.blackbox.it

Australia:

Black Box Catalog Australia PTY LTD

Tel: 0398797100

Fax: 0398702955

Deutschland:

Black Box Deutschland

Tel: 0811/5541-0

Fax: 0811/5541-499

Web Site: www.blackbox-deutschland.com

Brasil:

Black Box Do Brasil.

Tel: (011) 5515-4000

Fax: (011) 5515-4002

Web Site: www.blackbox.com.br

Scwheiz:

Datacom Black Box Services AG

Tel: 0554517070

Fax: 0554517075

Web Site: www.black-box.ch

Canada:

Black Box Canada Corp.

Tel: 0416-736-8000

Fax: 0416-736-7348

Web Site: www.blackbox.com

Netherlands:

Black Box Datacom BV

Tel: 03032417799

Fax: 0302414746

Web Site: www.blackbox.nl/

Mexico:

Black Box De Mexico S.A. de C.V

Tel: 05-420-0100

Fax: 05-420-0123

Web Site: www.blackbox.com.mx

Belgique:

Black Box

Tel: 027258550

Fax: 027259212

Web Site: www.blackbox.be

Japan:

Black Box Catalog

Tel: 03-3820-5011

Fax: 03-3820-5010

Web Site: www.blackbox.co.jp/

Francais:

Black Box Catalogue

Tel: 0145606700

Fax: 0145606747

Web Site: www.blackbox.fr

U.S.A

Black Box Corporation

Tel: 724-746-5500

Fax: 724-746-0746

Web Site: www.blackbox.com



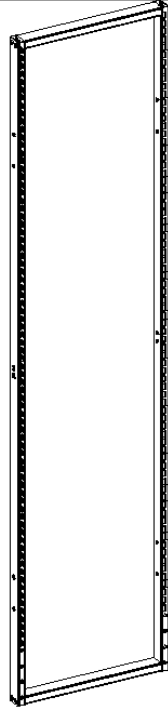
Contents

<i>ServCentre Frame Assembly – RMB2084F</i>	<i>Page 4</i>
<i>ServCentre Frame Assembly – RMB3084F</i>	<i>Page 5</i>
<i>Joining Multiple ServCentre Frames</i>	<i>Page 6</i>
<i>Attaching Legs to your ServCentre Frame</i>	<i>Page 7</i>
<i>Centre Support for ServCentre 60”</i>	<i>Page 8</i>
<i>Attaching the Bottom Shelf to your ServCentre</i>	<i>Page 9</i>
<i>Attaching Shelves to your ServCentre</i>	<i>Page 10</i>
<i>Attaching a desktop to your ServCentre</i>	<i>Page 11</i>
<i>ServCentre Hardware included</i>	<i>Page 12</i>
<i>Attaching your Monitor Caddy to your Suspension shelf</i>	<i>Page 13</i>
<i>Using ServCentre Rackmount Brackets</i>	<i>Page 14</i>

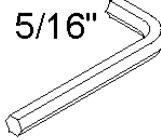


A

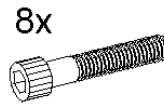
ServCentre Frame Assembly- RMB2084F



Tools required:

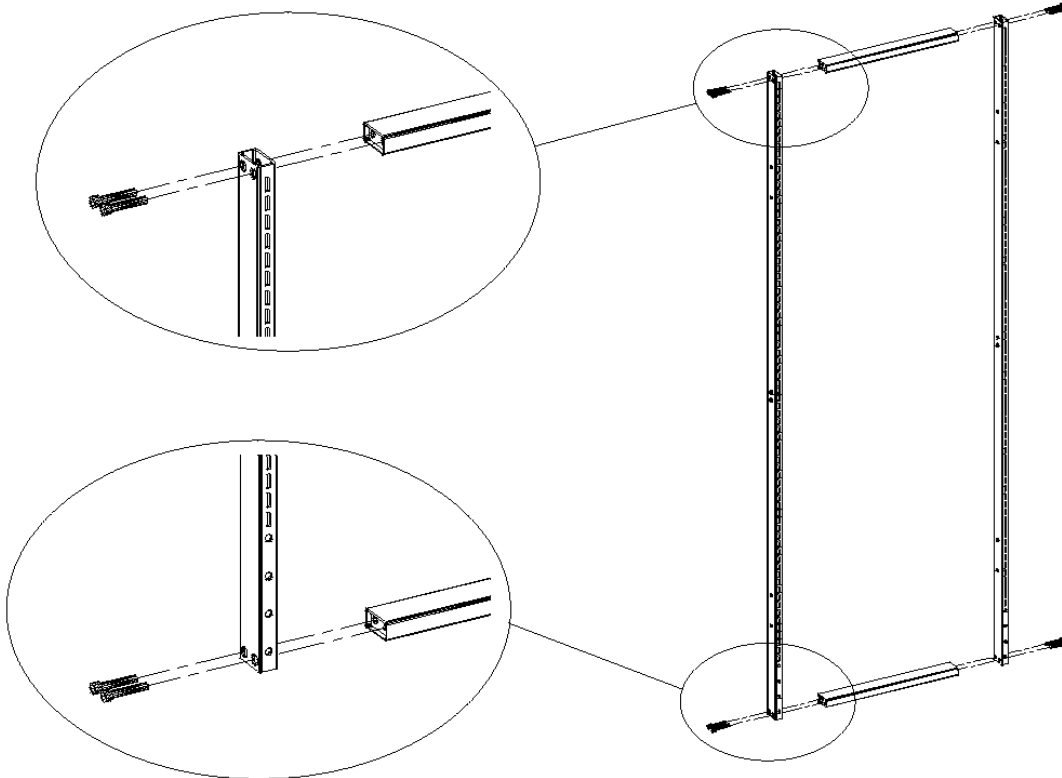


Fasteners required:



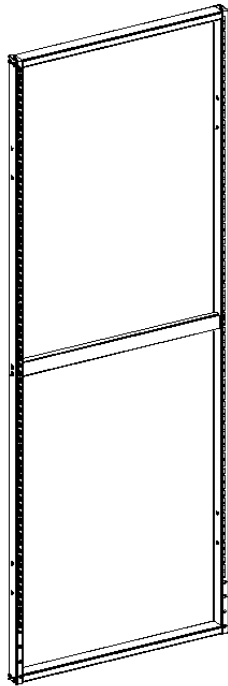
Perform assembly on level ground.

Do not fully tighten screws until the parts are properly aligned.



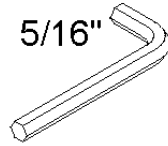
B

ServCentre Frame Assembly- RMB3084F



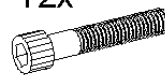
Tools required:

5/16"



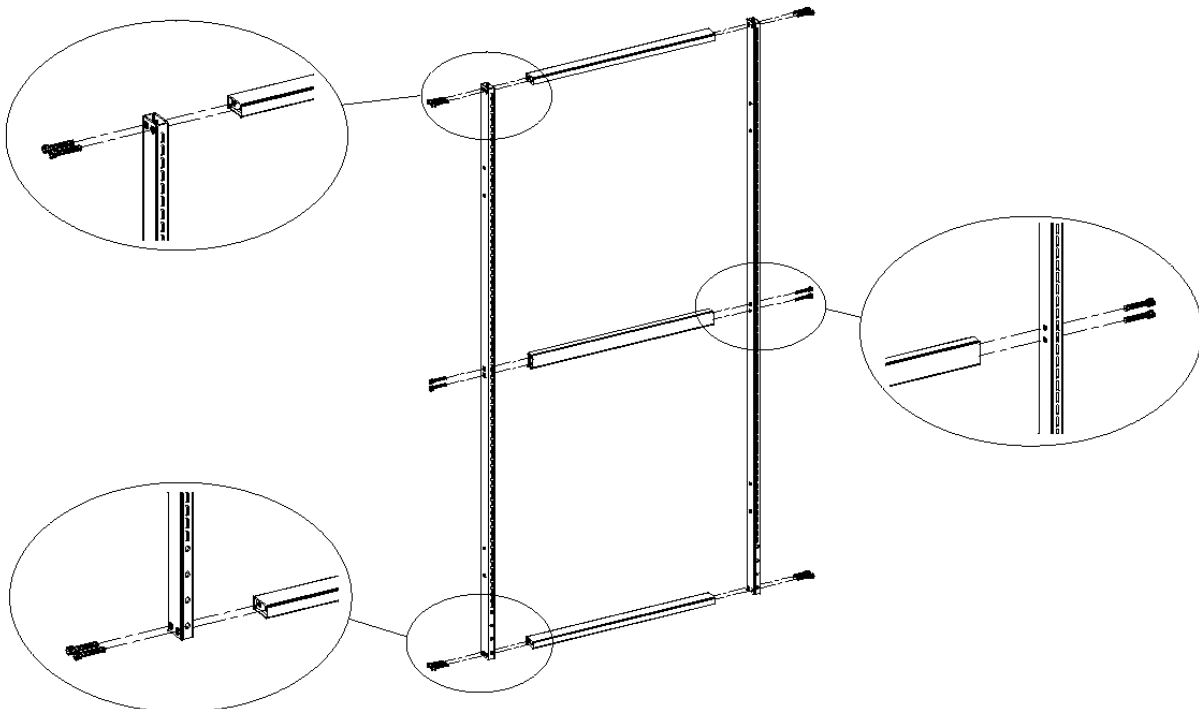
Fasteners required:

12x



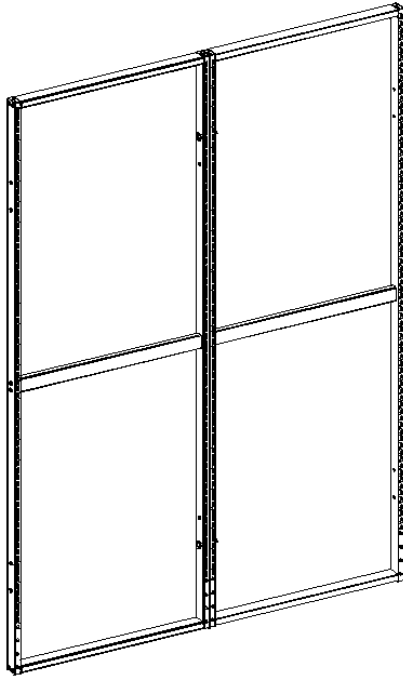
Perform assembly on level ground.

Do not fully tighten screws until the parts are properly aligned.



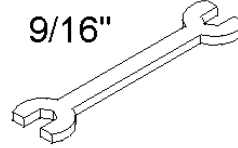


Joining Multiple ServCentre Frames



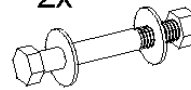
Tools required:

9/16"



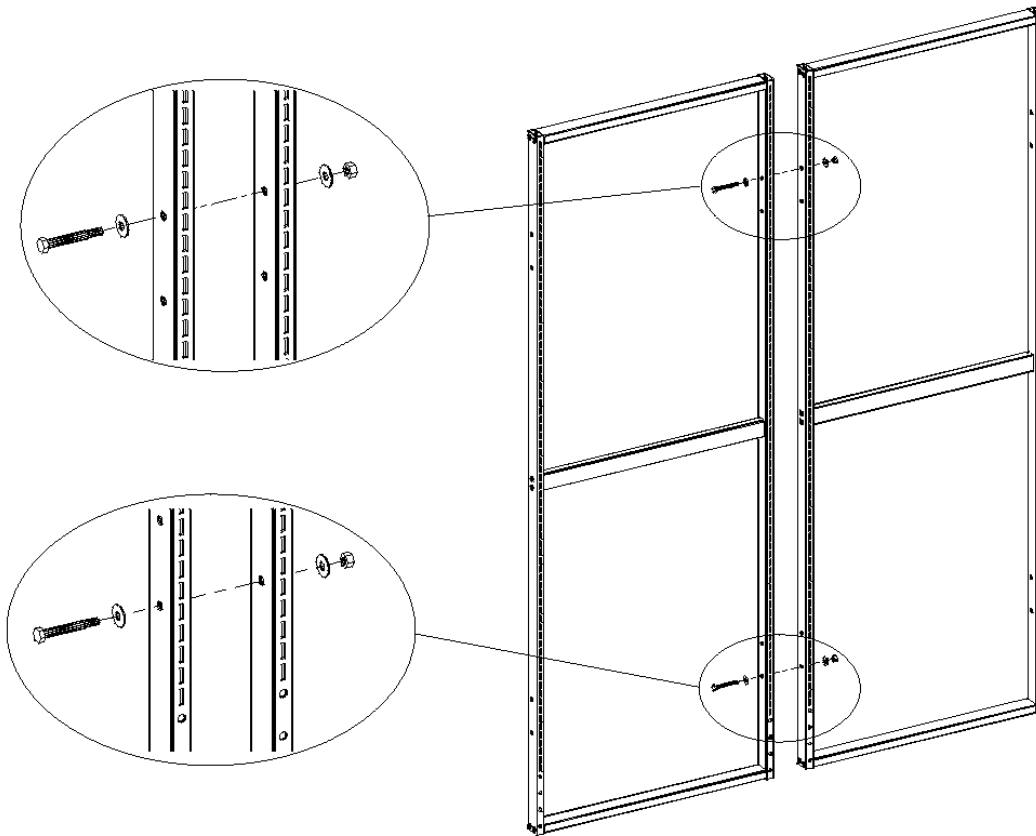
Fasteners required:

2x

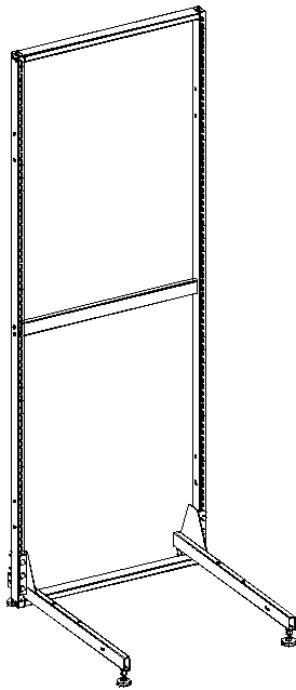


Perform assembly on level ground.

Do not fully tighten screws until the parts are properly aligned.

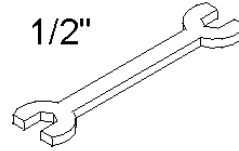


D *Attaching Legs To your ServeCentre Frame*



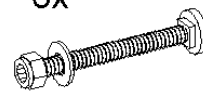
Tools required:

1/2"



Fasteners required:

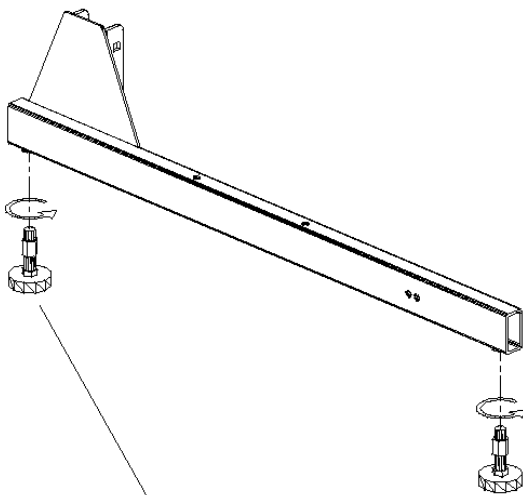
6x



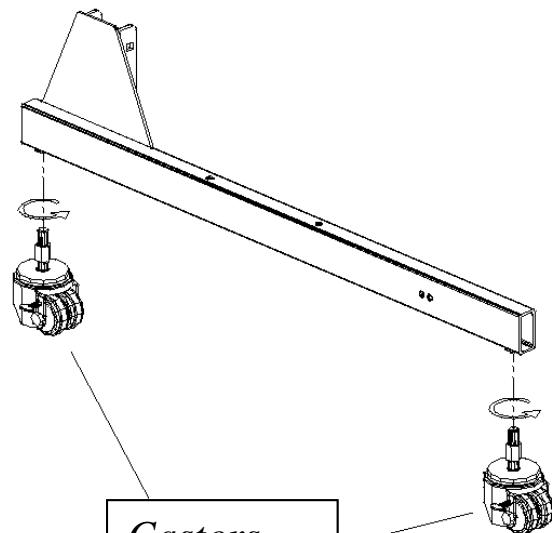
Perform assembly on level ground.

Do not fully tighten screws until the parts are properly aligned.

Attaching levelling feet and castors to the legs (Feet are supplied as standard, castors are optional.) - RMB2000L



Levelling feet

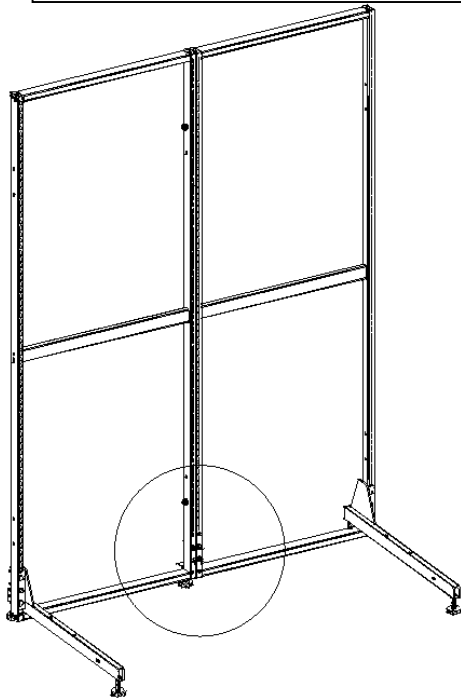


Castors



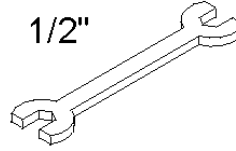
E

Centre Support for ServCentre 60" – RMB6000



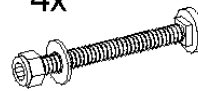
Tools required:

1/2"



Fasteners required:

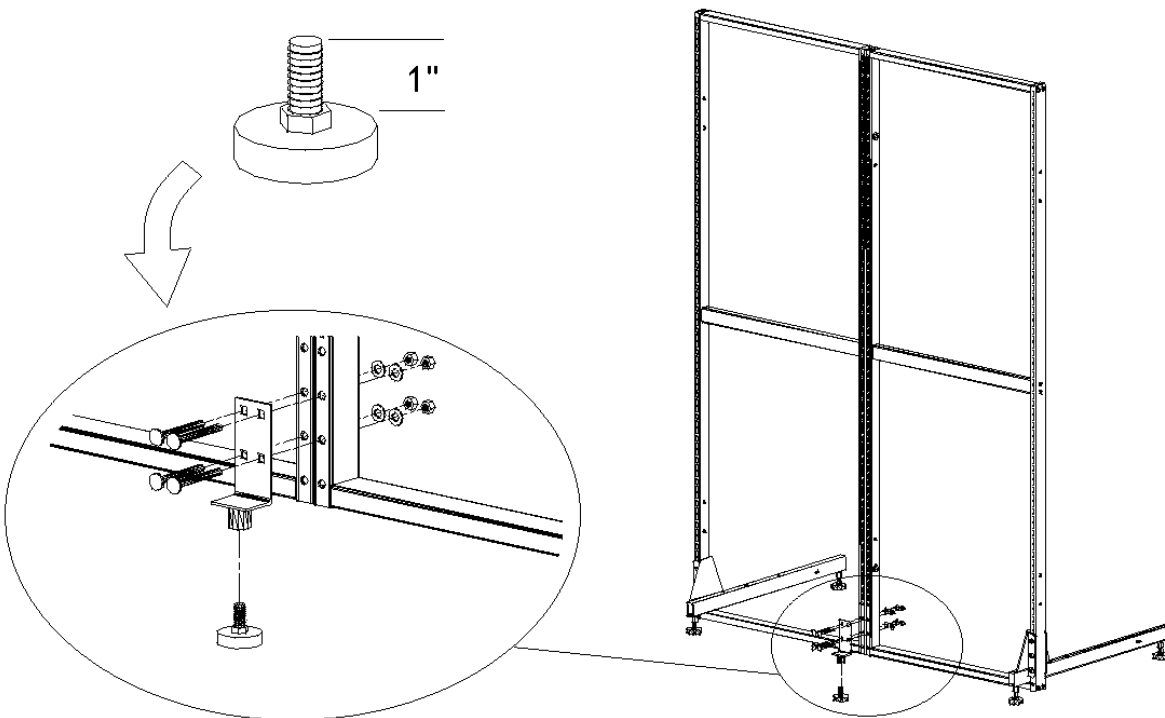
4x



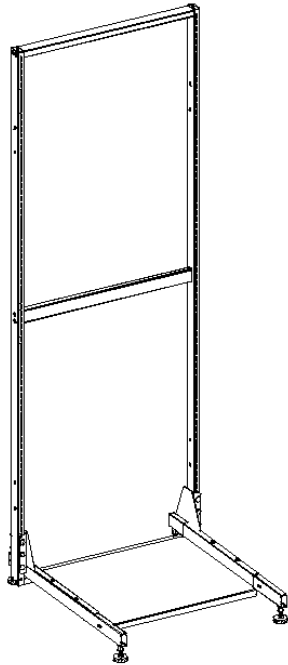
Perform assembly on level ground.

Do not fully tighten screws until the parts are properly aligned.

Attaching levelling feet and castors to the Centre Support (Feet are supplied as standard, castors are optional.)

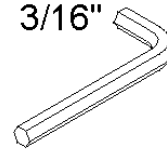


F *Attaching the bottom shelf to your ServCentre*



Tools required:

3/16"



Fasteners required:

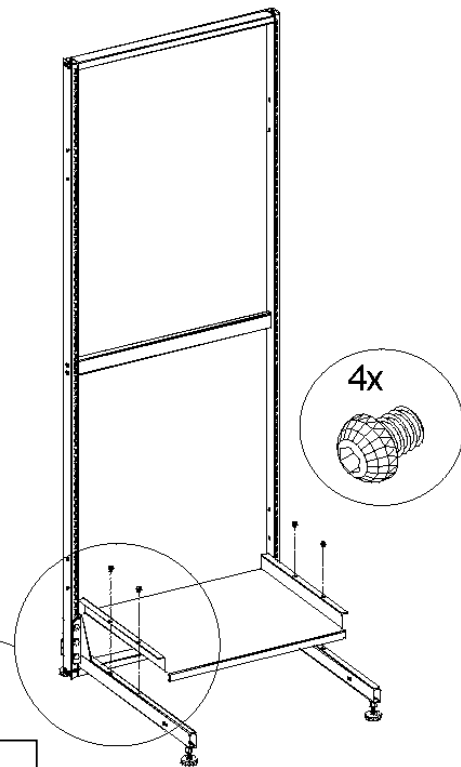
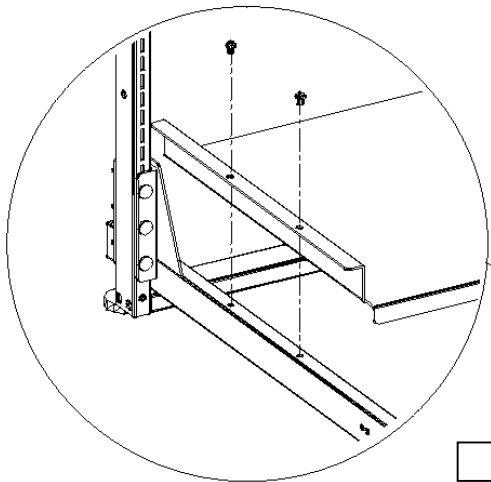
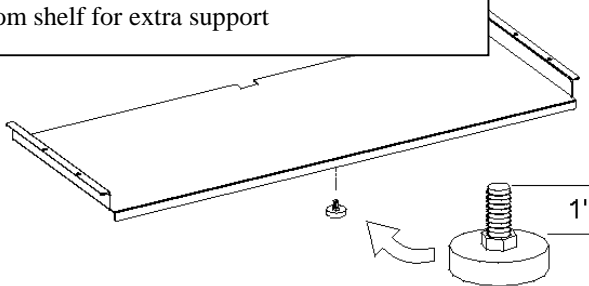
4x



Perform assembly on level ground.

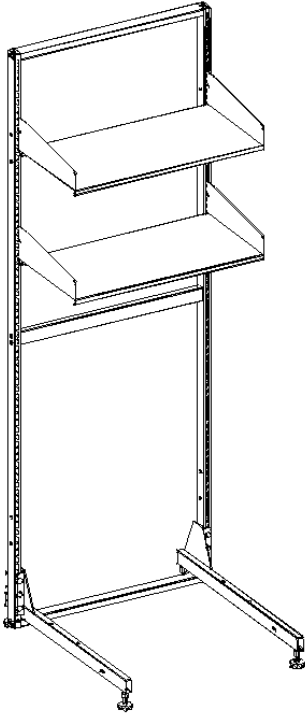
Do not fully tighten screws until the parts are properly aligned.

A levelling foot or castor can be attached to the bottom shelf for extra support



G

Attaching Shelves to your ServCentre

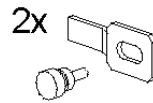


Tools required:

none



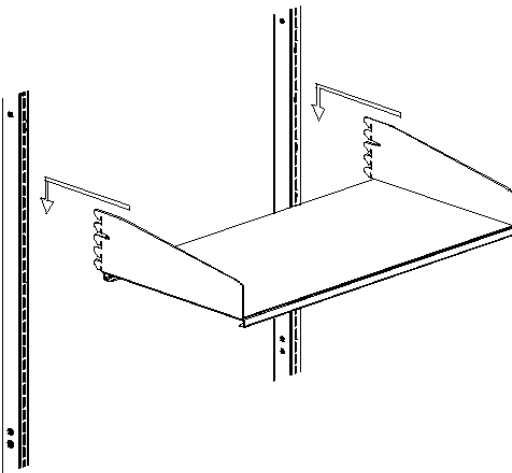
Fasteners required:



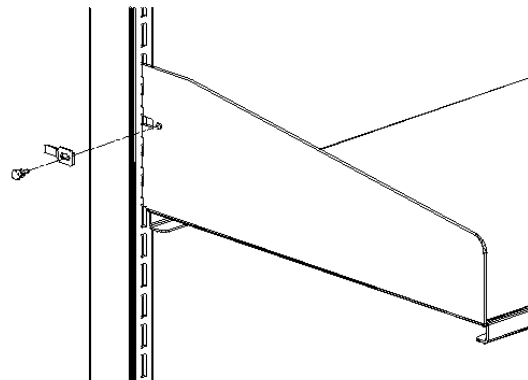
Perform assembly on level ground.

Do not fully tighten screws until the parts are properly aligned.

1

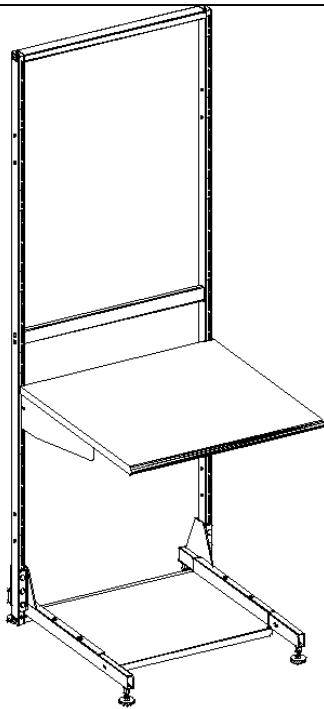


2

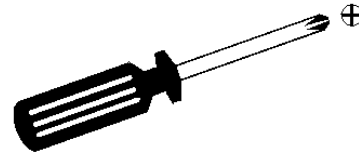


H

Attaching a desktop, RMB3030/6060DSK, to your ServCentre

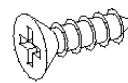


Tools required:

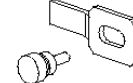


Fasteners required:

8x



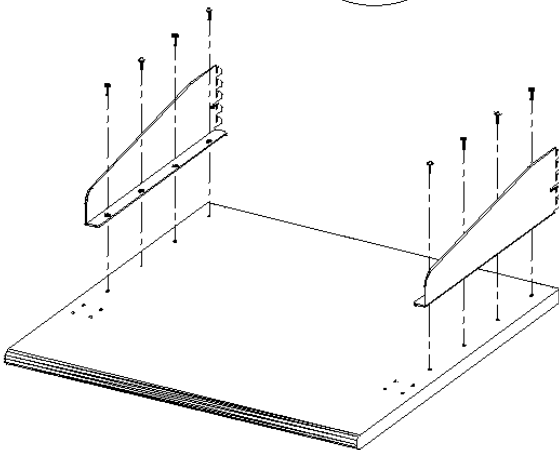
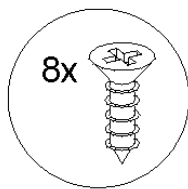
2x



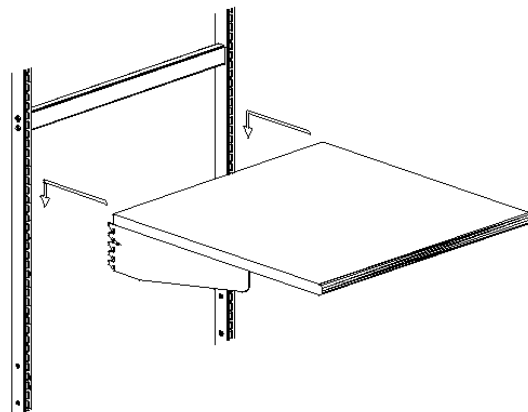
Perform assembly on level ground.

Do not fully tighten screws until the parts are properly aligned.

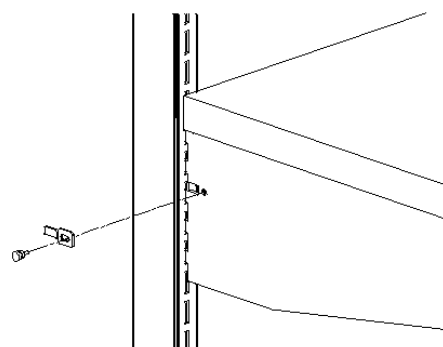
1



2



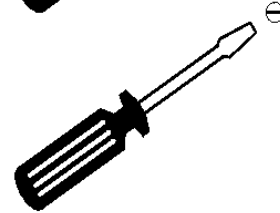
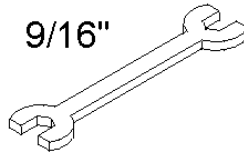
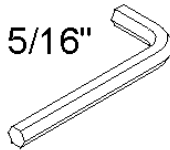
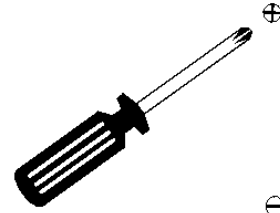
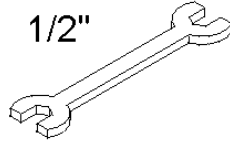
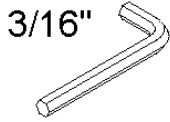
3



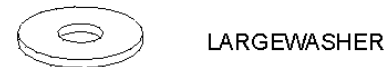
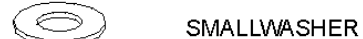
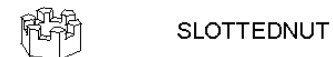
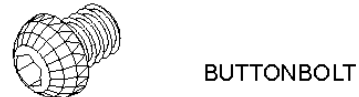
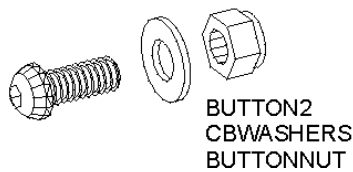
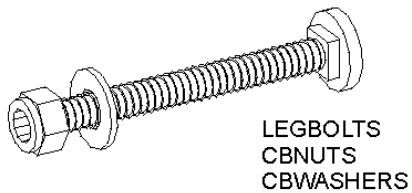
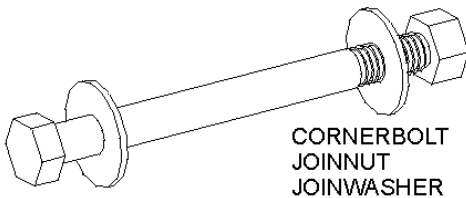
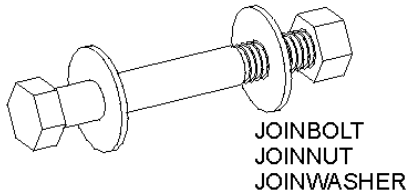


ServCentre Hardware included

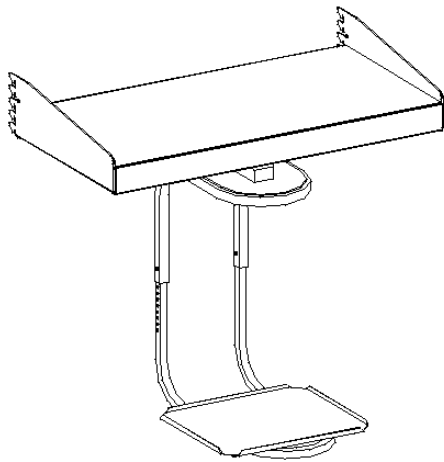
Tools:



Fasteners:

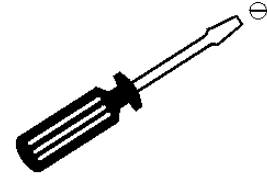
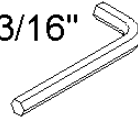


K *Attaching your Monitor Caddy to your Monitor Suspension Shelf – RMB30MON & RMB3016MS*



Tools required:

3/16"



Fasteners required:

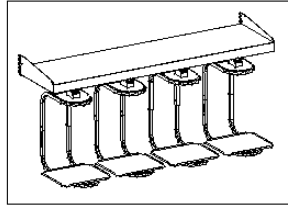
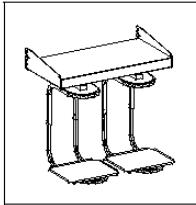
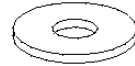
6x



1x



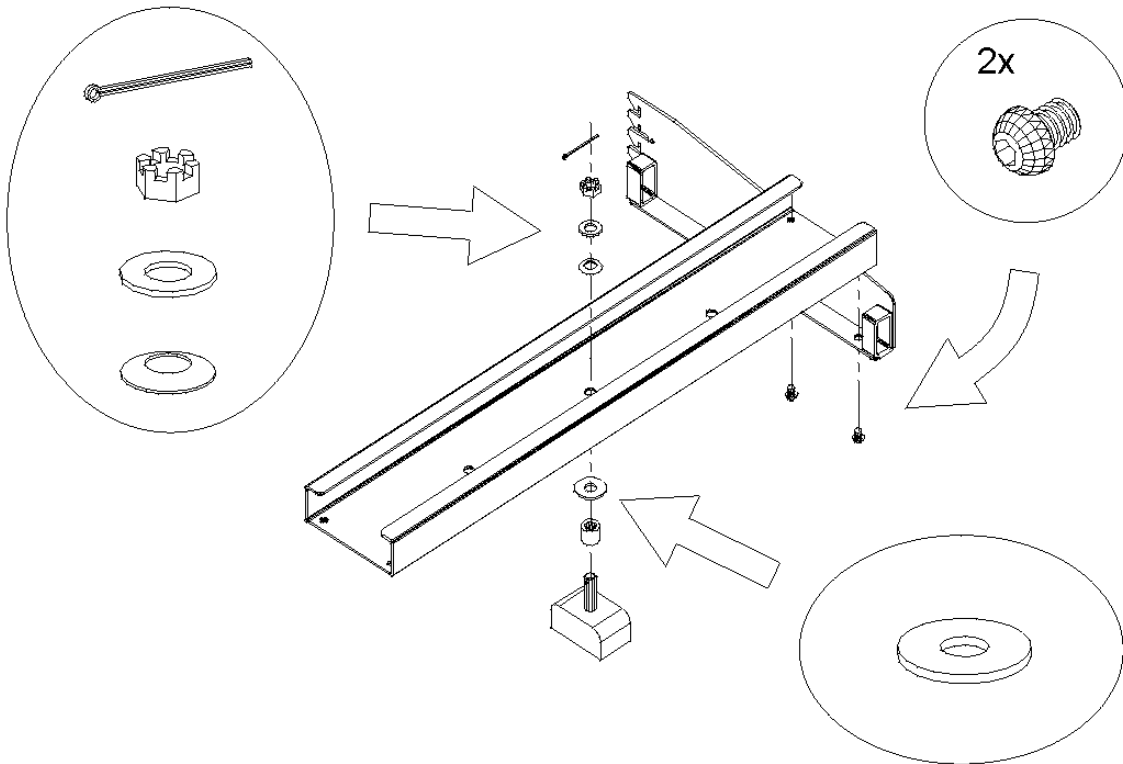
2x



Perform assembly on level ground.

Do not fully tighten screws until the parts are properly aligned.

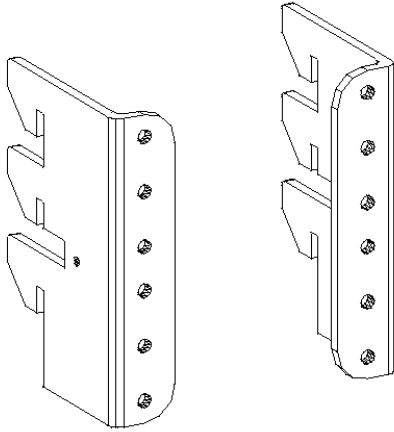
1





ServCentre Rackmount Brackets

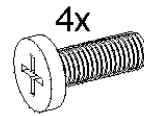
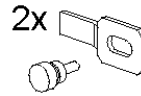
These Rackmount Brackets allow standard 19" rackmount equipment to be installed into a ServeCentre Frame



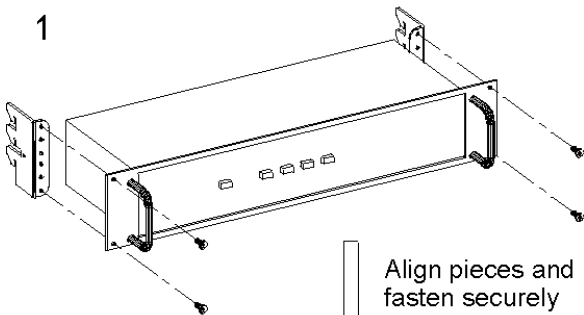
Tools required:



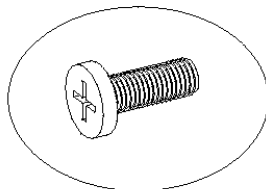
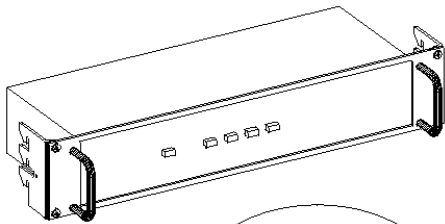
Fasteners required:



1



Align pieces and fasten securely



2

