

Assembly Instructions

NOTE

1. The Grounding Bar may be mounted either electrically connected to the frame or electrically isolated from the frame.
2. Hardware is included for mounting to 10-32 or 12-24 tapped rails. Please use the appropriate hardware.

Instructions for Isolated Mounting

1. Place the nylon bushing (#3a or 3b) through the end holes in the grounding bar (#1). Repeat for the second bushing at the other end of the grounding bar. When installing to the network frame, the large face of the bushing goes between the grounding bar and the network frame.
2. Place the nylon washer (#4a or 4b) on the screw (#2a or 2b) and place it through the hole in the bushing and into the tapped hole in the network frame. Repeat for the second washer and screw.
3. Tighten the hardware securely.

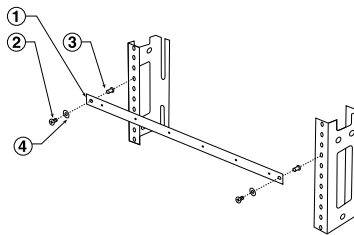


Figure 1. Isolated mounting.

Instructions for Grounded Mounting

1. Place the nylon bushing (#3a or 3b) through the end holes in the grounding bar (#1). Repeat for the second bushing at the other end of the grounding bar. When installing to the network frame, the large face of the bushing is to be under the head of the screw.
2. Place the screw (#2a or 2b) through the hole in the bushing and into the tapped hole in the network frame. Repeat for the second screw.
3. Tighten the hardware securely.

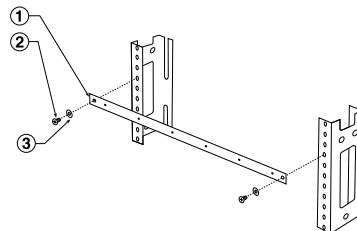
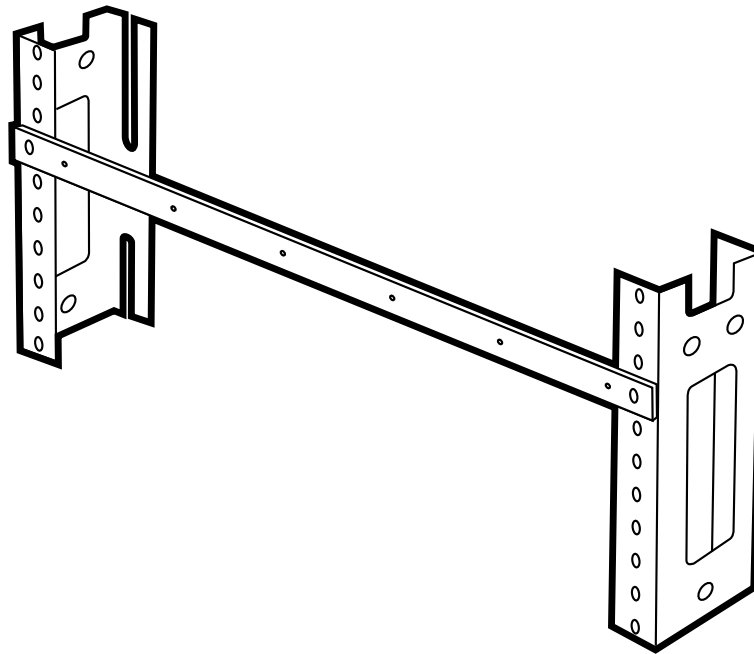


Figure 2. Grounded mounting.

© Copyright 2000. Black Box Corporation. All rights reserved.



Grounding Bar for Relay Racks



Parts List

Key	Description
1	(1) 19" Grounding bar
2a	(2) 10-32 x $\frac{5}{8}$ " cuphead screws
2b	(2) 12-24 x $\frac{5}{8}$ " cuphead screws
3a	(2) Nylon bushings for 10-32 screws
3b	(2) Nylon bushings for 12-24 screws
4a	(2) #10 Nylon washers (used for isolated mounting only)
4b	(2) #12 Nylon washers (used for isolated mounting only)

Suggested Tools

- Phillips screwdriver

**CUSTOMER
SUPPORT
INFORMATION**

Order toll-free in the U.S.: Call **877-877-BBOX** (outside U.S. call **724-746-5500**)
FREE technical support 24 hours a day, 7 days a week: Call **724-746-5500** or fax **724-746-0746**
Mailing address: **Black Box Corporation**, 1000 Park Drive, Lawrence, PA 15055-1018
Web site: www.blackbox.com • E-mail: info@blackbox.com