

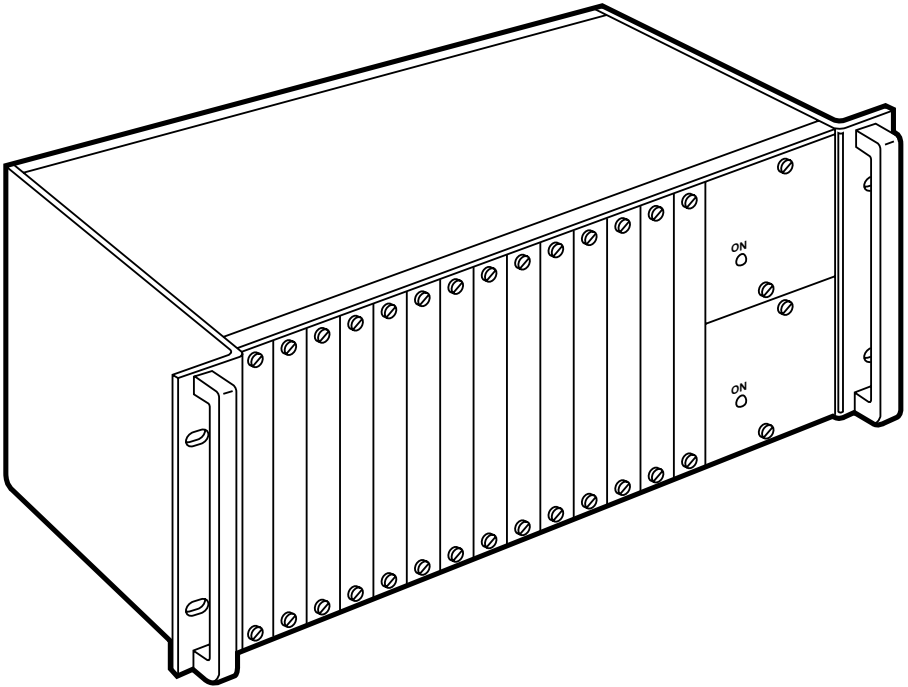
© Copyright 1997. Black Box Corporation. All rights reserved.

---

1000 Park Drive • Lawrence, PA 15055-1018 • 724-746-5500 • Fax 724-746-0746



## Rack Nest 2/14



**CUSTOMER  
SUPPORT  
INFORMATION**

Order toll-free in the U.S. 24 hours, 7 A.M. Monday to midnight Friday: **877-877-BBOX**  
FREE technical support, 24 hours a day, 7 days a week: Call **724-746-5500** or fax **724-746-0746**  
Mail order: **Black Box Corporation**, 1000 Park Drive, Lawrence, PA 15055-1018  
Web site: [www.blackbox.com](http://www.blackbox.com) • E-mail: [info@blackbox.com](mailto:info@blackbox.com)

**TRADEMARKS USED IN THIS MANUAL**

*All applied-for and registered trademarks are the property of their respective owners.*

# 1. Specifications

<b>Connectors</b> —	Line: (14) 5-screw, snap-type terminal blocks; DTE: (14) DB25 female connectors
<b>Number of Slots</b> —	14 slots for cards
<b>Certification</b> —	CE
<b>Operating Temperature</b> —	32 to 122°F (0 to 50°C)
<b>Humidity</b> —	10 to 90%, noncondensing
<b>Power</b> —	RM110A: 115-VAC (±10%), 47–63 Hz; RM110A-2PS: (2) 115-VAC power supplies (one main and one redundant), 47–63 Hz; RM110AE: 230-VAC (±10%), 47–63 Hz
<b>Size</b> —	7"H x 19"W x 10.4"D (17.8 x 48.3 x 26.4 cm)

## 2. The Rack Nest 2/14

### 2.1 Introduction

The Rack Nest 2/14 is a 19-inch, 4U-high rackmount modem card nest. It accommodates up to fourteen plug-in cards. The Rack Nest 2/14 provides a reliable concentration point for multiple baseband links supporting last-mile or campus applications.

Any combination of modem cards can be installed. Cards are hot-swappable, which means they can be removed or inserted during operation without interfering with the operation of other cards.

Each power supply supports a full rack of cards, regardless of the type. The RM110A-2PS comes with two separate power supplies that back up one another in case of failure. Each power supply is hot-swappable.

The rear panel consists of fourteen 5-screw, snap-type terminal blocks and fourteen DB25 connectors (one terminal block and one DB25 connector per card). The terminal blocks connect the transmit and receive lines. The transmit pair is connected to the terminals marked XMT, the receive pair is connected to the terminals marked RCV, and an optional ground connection is the fifth screw. The DB25 connectors are interface connectors, and they provide all interface signals for the digital interfaces.

### 2.2 Features

- High-density 19-inch modem rack.
- Any combination of up to 14 modem cards.
- House fiberoptic and copper-wire modems in a single nest.
- Allows hot-swapping of cards and power supplies.
- 2PS model has separate power supplies for full redundancy.
- 4U high.

### **2.3 Installation**

First, install the Rack Nest 2/14 into a 19-inch rack. Once it's installed, you can insert up to fourteen cards. To secure the cards, tighten the nut on the top and bottom of each card. Also make sure that the cards are fully inserted into the edge connector inside the rack.

To operate the power supply, all you need to do is plug in the power supply and press the operating switch on the rear panel. The ON LED will light to confirm that it's receiving power and that the switch is on.