



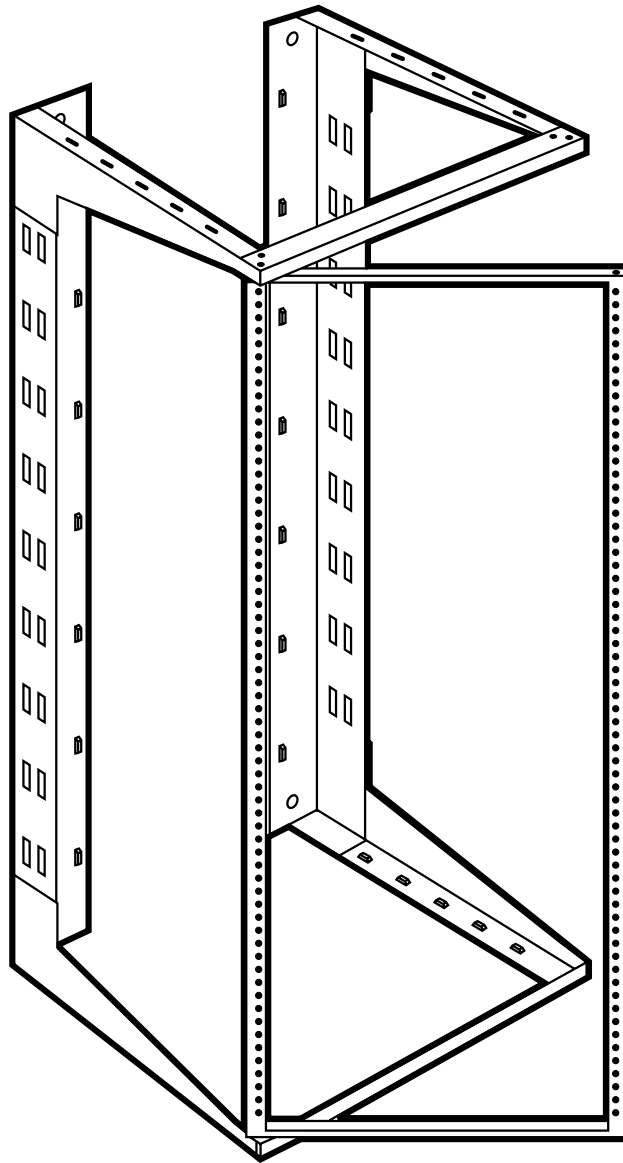
VPN: ISBXSO

© Copyright 1999. Black Box Corporation. All rights reserved.

1000 Park Drive • Lawrence, PA 15055-1018 • 724-746-5500 • Fax 724-746-0746



Swing-Out Rack



**CUSTOMER
SUPPORT
INFORMATION**

Order **toll-free** in the U.S. 24 hours, 7 A.M. Monday to midnight Friday: **877-877-BBOX**
FREE technical support, 24 hours a day, 7 days a week: Call **724-746-5500** or fax **724-746-0746**
Mail order: **Black Box Corporation**, 1000 Park Drive, Lawrence, PA 15055-1018
Web site: www.blackbox.com • E-mail: info@blackbox.com

1. Specifications and Drawings

Load Capacity — 100 lb. (45.5 kg)

Rack-Space Capacity — RM069A: 20U; RM070A: 12U; RM080A: 25U (1U = 1.75" or 44.4 mm vertical)

Hole Tapping — 12-24 front and rear

Hole Spacing — Complies with EIA-310-D (.625-6.25-.500)

Material — 12-gauge steel

Finish — Black powder coat

Dimensions — RM069A: 37.9"H x 20.7"W x 18"D (96.3 x 52.6 x 45.7 cm)
 RM070A: 23.9"H x 20.7"W x 18"D (60.8 x 52.6 x 45.7 cm)
 RM080A: 46.7"H x 20.7"W x 18"D (118.5 x 52.6 x 45.7 cm)

Weight — RM069A: 48 lb. (21.8 kg); RM070A: 38 lb. (17.3 kg); RM080A: 55 lb. (25 kg)

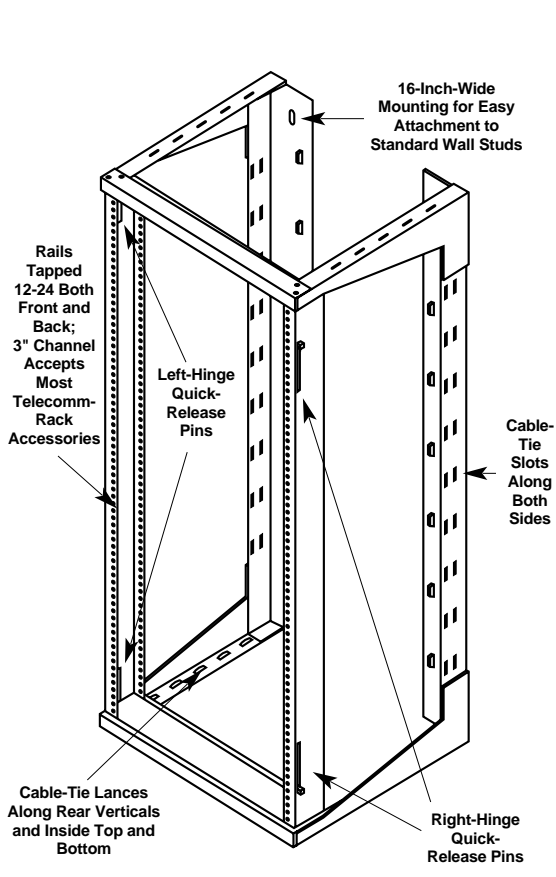


Figure 1-1. Full view.

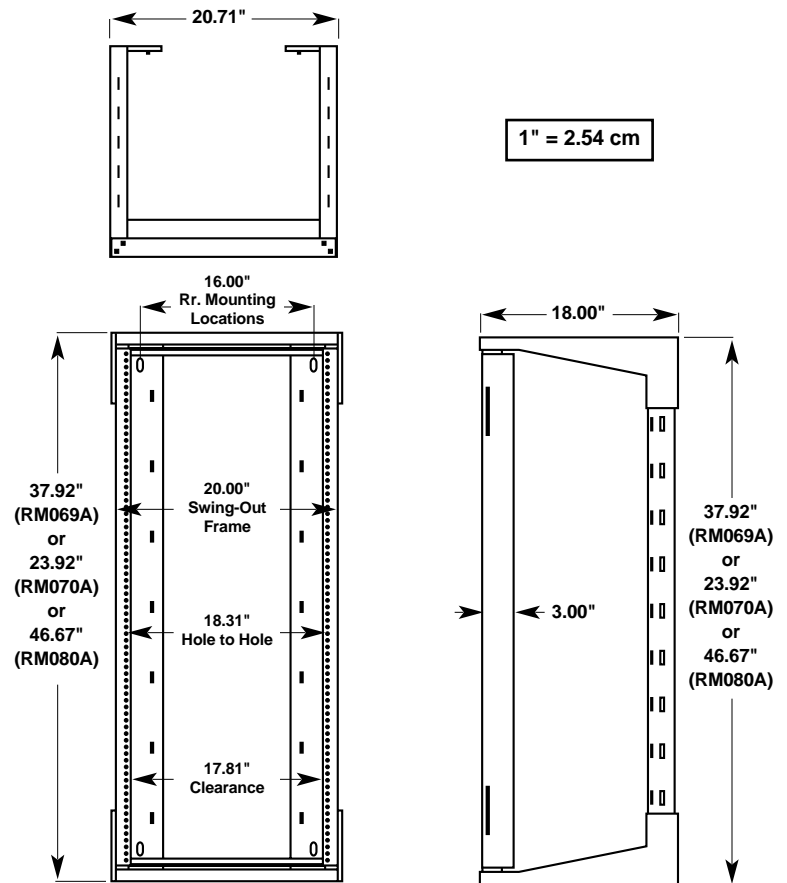


Figure 1-2. Front, top, and side views.

2. Introduction

The Swing-Out Rack is a great tool that eases the tedious task of installing and maintaining your site wiring. Because it has unique spring-loaded hinges and release pins, you can easily unlatch and swing open the front part of the Rack frame in order to mount, dismount, and cable devices. And yet the Rack is simple to assemble. It comes in three different heights: 38" (96 cm, our product code RM069A), with 20 rack units of space, 24" (61 cm, our product code RM070A), with 12 rack units of space, and 47" (119.4 cm, our product code RM080A), with 25 rack units of space.

Some of the Swing-Out Rack's other useful features:

- Can open to the left or right.
- 18" (45.7 cm) deep to accommodate even large devices.
- Made of 12-gauge steel to support up to 100 lb. (45.5 kg).
- Holes tapped 12-24 front and rear.
- Hole spacing complies with EIA-310-D.
- Wide key-hole spacing and 16" stud-mounting centers so that one person can wallmount the Rack.

3. Assembly

To assemble the Swing-Out Rack, you'll need a 3/8" socket or wrench and a level or carpenter's square. Once you have these ready, take these steps:

1. Lay the vertical fixed frame members on the ground, parallel to each other (see **Figure 3-1** below). Leave enough space between them for the moldings you'll be attaching in the next step (see **Figure 3-2** below).

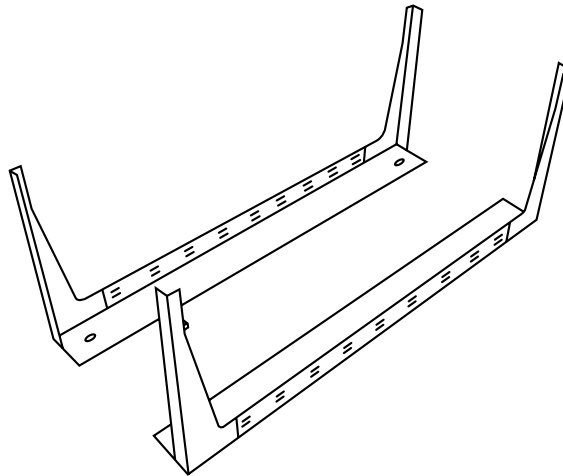


Figure 3-1. Laying out the fixed frame members.

2. Attach the side moldings by aligning their bolt holes with those on the vertical fixed frame members (see **Figure 3-2** below); the pin guides—the holes where the swing frame's release pins will go—should be facing each other. Place the eight included hex bolts—four per molding—in the bolt holes and tighten them.

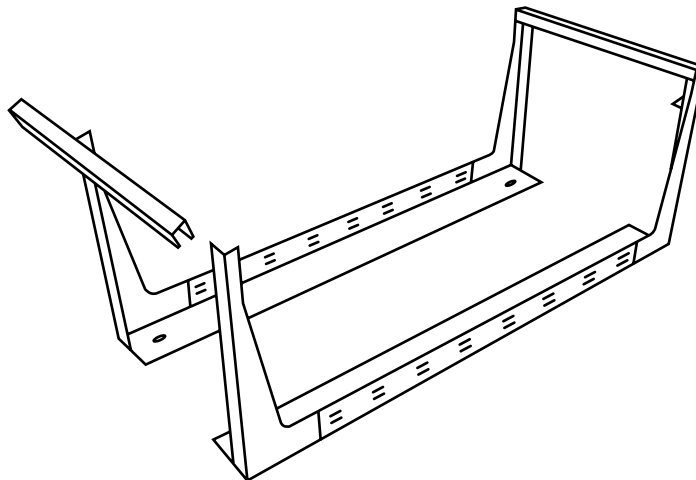


Figure 3-2. Attaching the moldings.

SWING-OUT RACK

3. Attach the swing frame by inserting its bottom release pins into the corresponding pin guides (see **Figure 3-3** below). While pulling down on the top release pins, slide the swing frame into position. Make sure the top pins are also properly inserted in their corresponding pin guides.

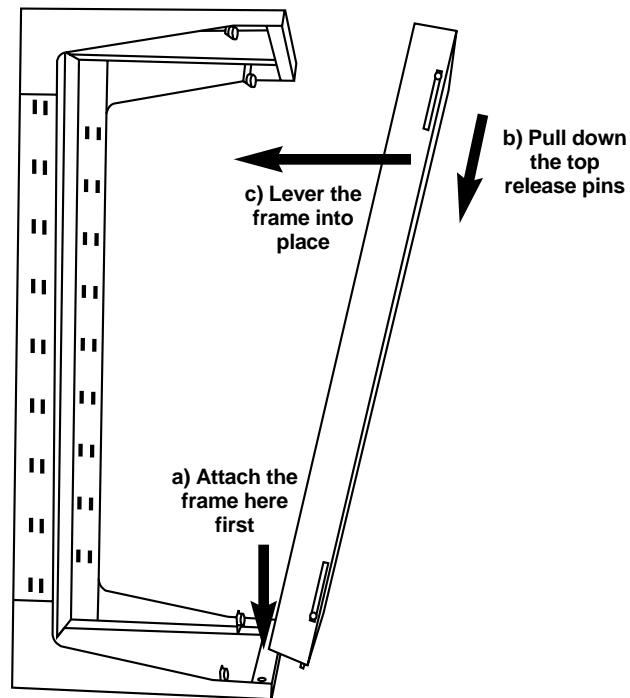


Figure 3-3. Attaching the swing frame.

That's all there is to it: Your Swing-Out Rack is now fully assembled. If you need to wallmount the Rack, you can do so (see **Section 4.1**); otherwise, the Rack is ready for equipment installation and operation.

4. Installation and Use

4.1 Wallmounting the Rack

To mount the Swing-Out Rack on a wall, you will need to drive bolts (not included) through the four main holes in the back corners of the vertical fixed frame members, shown in **Figure 4-1** below. The left and right holes are 16" (40.6 cm) apart, so the Rack can be mounted on a pair of studs.

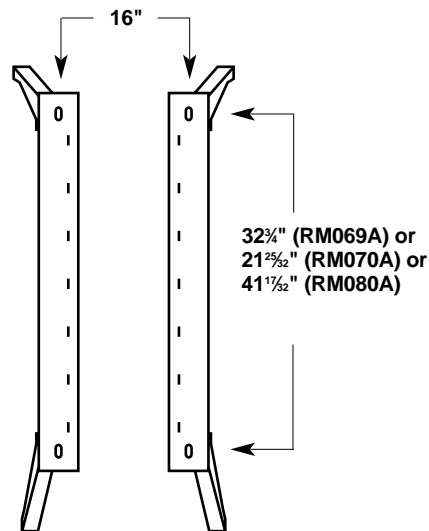


Figure 4-1. The mounting holes on the back of the vertical fixed frame members.

4.2 Cabling the Rack

When you mount electronic hardware in the Swing-Out Rack, leave enough slack in the cables to let the rack swing open, as shown in **Figure 4-2** below.

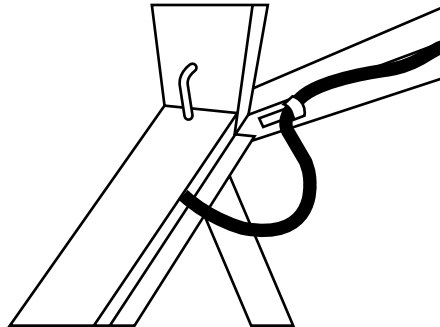


Figure 4-2. Cable slack for the swing mechanism (top view of Rack shown).

You can secure cables to the Rack's integrated cable-management tie slots with nylon ties or Velcro® style straps, as shown in **Figure 4-3** below.

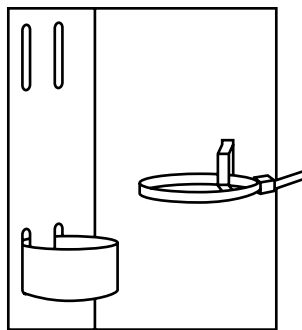


Figure 4-3. Attaching ties or straps to the cable-management slots.

4.3 Opening the Rack

To open the Swing-Out Rack, first make sure that the Rack's release pins are secured in their pin guides. (If either pin on the side you aren't opening isn't secure, the Rack's swing frame could come off when you try to open it.) Using both hands, gently move the pair of quick-release levers at the top and bottom of either side of the Rack—one of these levers is shown in **Figure 4-4** below—toward each other to unlatch the swing frame, then pull the frame open as shown in **Figure 4-5** below.

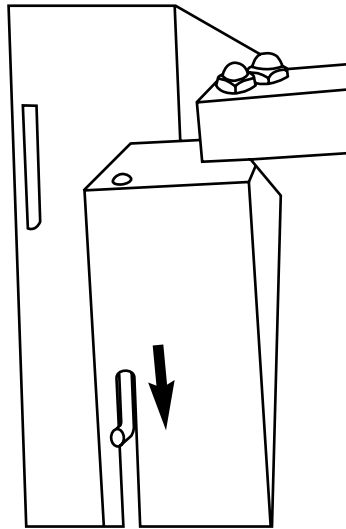


Figure 4-4. One of the quick-release levers (side view of Rack shown).



Figure 4-5. Using the levers to unlatch and open the swing frame.

4.4 Closing the Rack

To close the Swing-Out Rack, use both hands to gently press the Rack's free release pins in (toward each other), or move the pair of quick-release levers at the top and bottom of either side of the Rack toward each other, and swing the front of the Rack closed until it touches the Rack's stopper (shown in Figure 4-6 below). Then let go of the levers or the release pins and make sure the pins go into their matching pin guides.

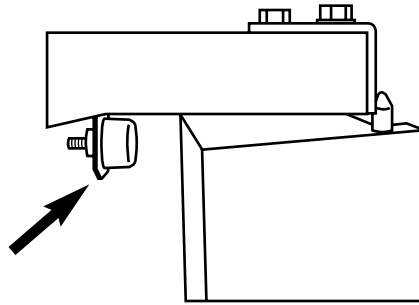


Figure 4-6. The Rack's stopper (side view of Rack shown).

5. Troubleshooting

5.1 Calling Black Box

If you determine that your Swing-Out Rack is malfunctioning, *do not attempt to alter or repair the unit*. It is not user-serviceable. Contact Black Box Technical Support at (724) 746-5500; the problem might be solvable over the phone.

Before you do, make a record of the history of the problem. We will be able to provide more efficient and accurate assistance if you have a complete description, including:

- the nature and duration of the problem.
- when the problem occurs.
- the components involved in the problem.
- any particular application that, when used, appears to create the problem or make it worse.

5.2 Shipping and Packaging

If you need to transport or ship your Swing-Out Rack:

- Package it carefully. We recommend that you use the original container.
- Before you ship the Rack for repair or return, contact Black Box to get a Return Materials Authorization (RMA) number.

NOTES