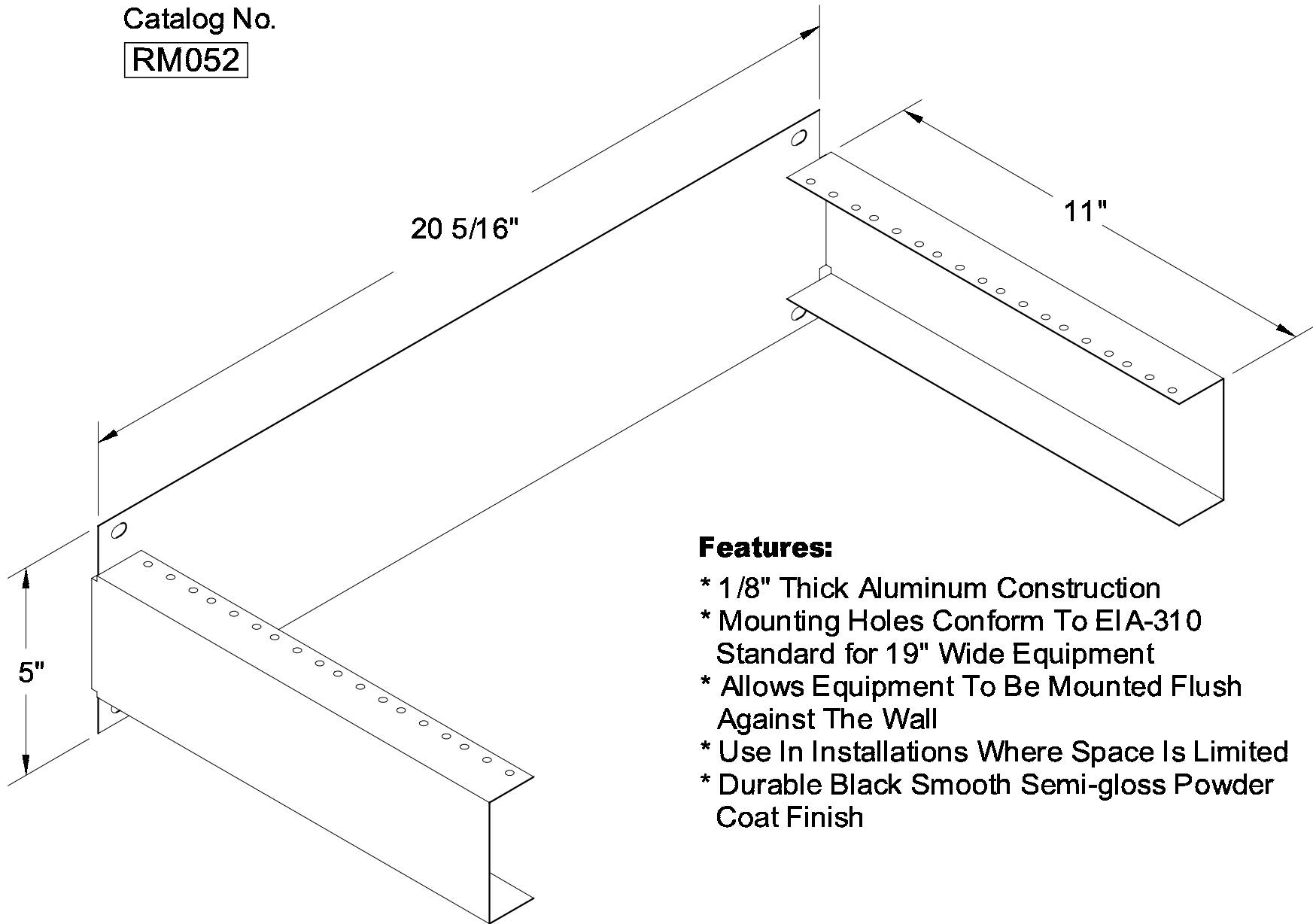


FLUSH MOUNT BRACKET

Catalog No.

RM052



Features:

- * 1/8" Thick Aluminum Construction
- * Mounting Holes Conform To EIA-310 Standard for 19" Wide Equipment
- * Allows Equipment To Be Mounted Flush Against The Wall
- * Use In Installations Where Space Is Limited
- * Durable Black Smooth Semi-gloss Powder Coat Finish