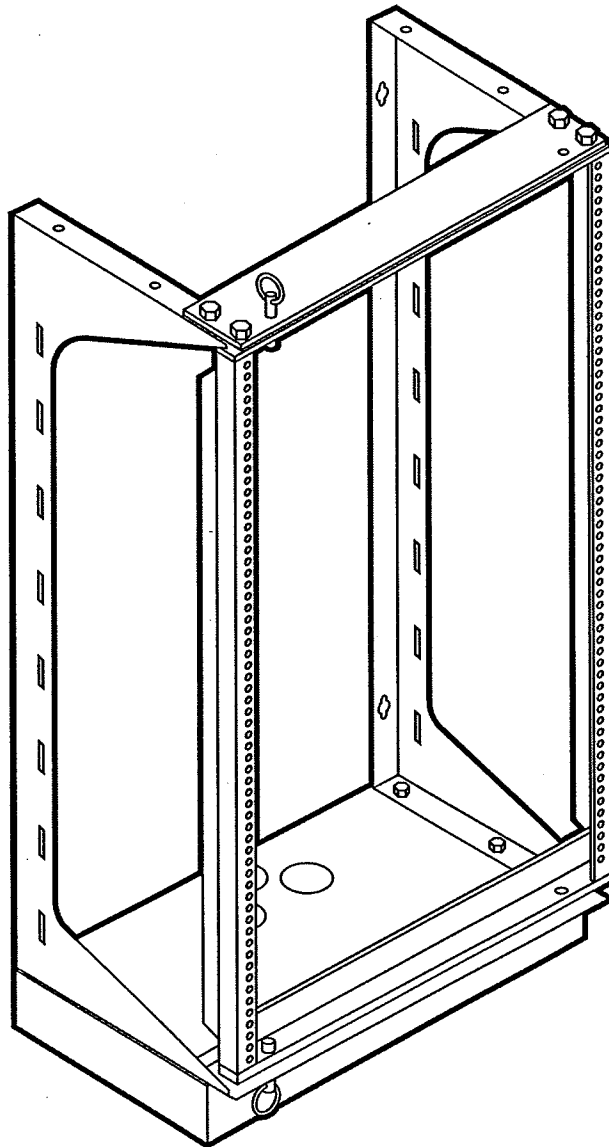




## Ultra Wallmount Rack



---

**CUSTOMER  
SUPPORT  
INFORMATION**

Order toll-free in the U.S.: Call 877-877-BBOX (outside U.S. call 724-746-5500)  
FREE technical support 24 hours a day, 7 days a week: Call 724-746-5500 or fax 724-746-0746  
Mailing address: **Black Box Corporation**, 1000 Park Drive, Lawrence, PA 15055-1018  
Web site: [www.blackbox.com](http://www.blackbox.com) • E-mail: [info@blackbox.com](mailto:info@blackbox.com)

## ULTRA WALLMOUNT RACK

### TRADEMARKS

Velcro® is a registered trademark of Velcro USA.

*Any other trademarks mentioned in this manual are acknowledged to be the property of the trademark owners.*

# Specifications

**Load Capacity:** 150 lb. (68 kg)

**Exterior Height:** RM050A: 21" (53.3 cm) (11U); RM051A: 35" (88.9 cm) (19U)

**Exterior Width:** 19.75" (50.2 cm)

**Exterior Depth:** 25" (63.5 cm)

# Introduction

## Description

The Ultra Wallmount Rack is designed for mounting heavier, deeper networking equipment in tight closets. A 12-gauge steel reinforcement pan attached to the bottom of the rack provides added strength so you can mount 19" equipment on the wall without losing access for moves, adds, and changes.

Two models are available:

- Ultra Wallmount Rack, 21"H x 25"D, Black (RM050A)
- Ultra Wallmount Rack, 35"H x 25"D, Black (RM051A)

## Features

- 150-lb. (68-kg) load rating accommodates hubs and routers
- Swings open to the left or right for access to terminations
- Velcro® straps included for backside vertical cable management
- Up to 11 or 19 rack spaces (1.75")
- Self-squaring
- Mounting holes threaded for 12-24 hardware
- Includes twelve cross-recessed black panel mounting screws, 12-24 x ½"
- ⅝", ⅜", ½" universal mounting hole pattern
- Black powder coat finish

# Assembly

## Parts List

Your package should include the following items. If anything is missing or damaged, please contact Black Box at 724-746-5500.

- (1) Collapsed frame assembly
- (1) Stabilizer pan
- (2) Latch pins
- (4)  $\frac{3}{8}$ -16 x  $\frac{1}{2}$ " hex-head bolts
- (12) 12-24 x  $\frac{1}{2}$ " cross-recessed pan-head screws
- (5) large Velcro straps (for vertical cable management)
- (5) small Velcro straps (for vertical cable management)
- (4)  $\frac{1}{4}$ -20 x 1" hex-head bolts
- (4)  $\frac{1}{4}$ -20 hex nuts

## Before Wall Mounting

1. Insert the four  $\frac{3}{8}$ -16 x  $\frac{1}{2}$ " hex-head bolts.
2. Attach the stabilizer pan on the top or bottom.

## Assembly Instructions

1. Remove all the components from the box. Check the components against the parts list (above).

### NOTE

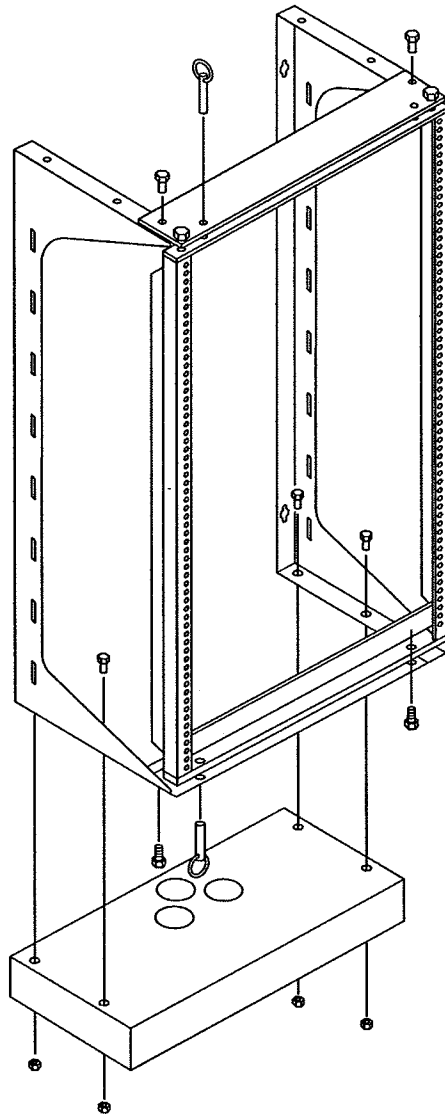
**The hardware is attached to the frame assembly and the stabilizer pan.**

2. On the collapsed frame assembly, loosen the four  $\frac{3}{8}$ -16 x  $\frac{1}{2}$ " hex bolts a half a turn. *Do not remove.*
3. Unfold the two mounting arms so that they are parallel to each other and perpendicular to the frame.
4. Apply the four  $\frac{3}{8}$ -16 x  $\frac{1}{2}$ " hex bolts to each corner of the mounting arms adjacent to the installed  $\frac{3}{8}$ -16 x  $\frac{1}{2}$ " hex bolts in the frame. Tighten all bolts.
5. Place the stabilizer pan on top of the assembly with the flat portion against the assembly and the cable openings away from the frame.
6. Mount the stabilizer pan with the  $\frac{1}{4}$ -20 nuts and bolts in four places.
7. Locate and install the top two mounting screws on the wall.

## NOTE

The wall-mounting hardware is not provided. Be sure to use hardware that is appropriate for the load and the mounting surface.

8. Mount the Ultra Wallmount Rack over the heads of the mounting screws and slide it into the mounting slots. The stabilizer pan can be mounted at the top or bottom. The Ultra Wallmount Rack is symmetrical, so it can be mounted in either orientation and still open either left or right.
9. Install and tighten the rest of the screws.
10. The Ultra Wallmount Rack can now be opened from either direction. The door can be latched with the installed  $\frac{3}{8}$ -16 bolts or these can be removed and replaced with the latch pins. Do this on the opening side only. The bolts must remain on the hinge side.



© Copyright 2001. Black Box Corporation. All rights reserved.

1000 Park Drive • Lawrence, PA 15055-1018 • 724-746-5500 • Fax 724-746-0746