



© Copyright 2003. Black Box Corporation. All rights reserved.

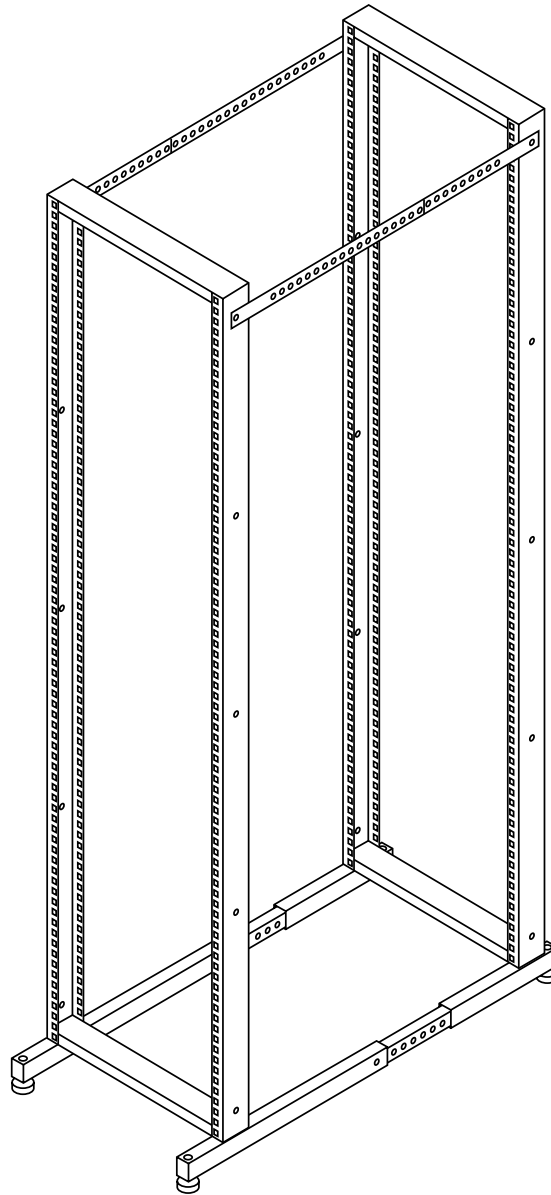
1000 Park Drive • Lawrence, PA 15055-1018 • 724-746-5500 • Fax 724-746-0746



OCTOBER 2003

RF535A	RF539
RF536	RF540
RF537	RF541
RF538	RF542

ServCenter Rack and Accessories



**CUSTOMER
SUPPORT
INFORMATION**

Order **toll-free** in the U.S.: Call **877-877-BBOX** (outside U.S. call **724-746-5500**)
FREE technical support 24 hours a day, 7 days a week: Call **724-746-5500** or fax **724-746-0746**
Mailing address: **Black Box Corporation**, 1000 Park Drive, Lawrence, PA 15055-1018
Web site: www.blackbox.com • E-mail: info@blackbox.com

TRADEMARKS USED IN THIS MANUAL

Any trademarks mentioned in this manual are acknowledged to be the property of the trademark owners.

Contents

Chapter	Page
1. Specifications	3
2. Introduction	4
2.1 ServCenter Rack (RF535A)	4
2.2 Accessories	5
2.2.1 Caster Kit (RF536)	5
2.2.2 Vented Shelves (RF537 and RF538)	5
2.2.3 Horizontal Cable Managers (RF539 and RF540)	6
2.2.4 Vertical Cable Managers (RF541 and RF542)	7
3. Assembly	9
3.1 ServCenter Rack (RF535A)	9
3.2 Caster Kit (RF536)	11
3.3 Vented Shelves (RF537 and RF538)	12
3.4 Horizontal Cable Managers (RF539 and RF540)	13
3.5 Vertical Cable Managers (RF541 and RF542)	14
4. Troubleshooting	17
4.1 Calling Black Box	17
4.2 Shipping and Packaging	17

1. Specifications

Load Capacity: RF535A: Up to 2000 lb. (907.2 kg);
RF537–RF538: 150 lb. (68 kg)

Size: RF535A: 86"H (45U) x 30" to 36"D (218.4 x 76.2 to 91.4 cm);
RF536: 3.5"H (2U) (8.9 cm);
RF537: 17.5"H x 30"D (44.5 x 76.2 cm);
RF538: 17.5"H x 36"D (44.5 x 91.4 cm);
RF539: 2"H x 19"W (5.1 x 48.3 cm);
RF540: 3.3"H x 19"W x 4.4"D (8.4 x 48.3 x 11.2 cm);
RF541: 67.8"H x 4.4"W x 6"D (172.2 x 11.2 x 15.2 cm);
RF542: 67.8"H x 2.1"W x 3.6"D (172.2 x 5.3 x 9.1 cm)

Weight: RF535A: 4.5 lb. (2 kg);
RF536: 11.8 lb. (5.4 kg);
RF537: 13.8 lb. (6.3 kg);
RF538–RF539: 1 lb. (0.5 kg);
RF540: 5.2 lb. (2.4 kg);
RF541: 3.5 lb. (1.6 kg);
RF542: 10.6 lb. (4.8 kg)

2. Introduction

2.1 ServCenter Rack (RF535A)

The ServCenter Rack allows you to store servers and equipment conveniently and compactly. This sturdy 86" high (45U) rack is made of 12-gauge steel. It holds up to 2000 lb. (907.2 kg) of equipment. The rack adjusts to fit 30" or 36" depths in 1" increments. M6 mounting holes accommodate servers and equipment from different vendors.

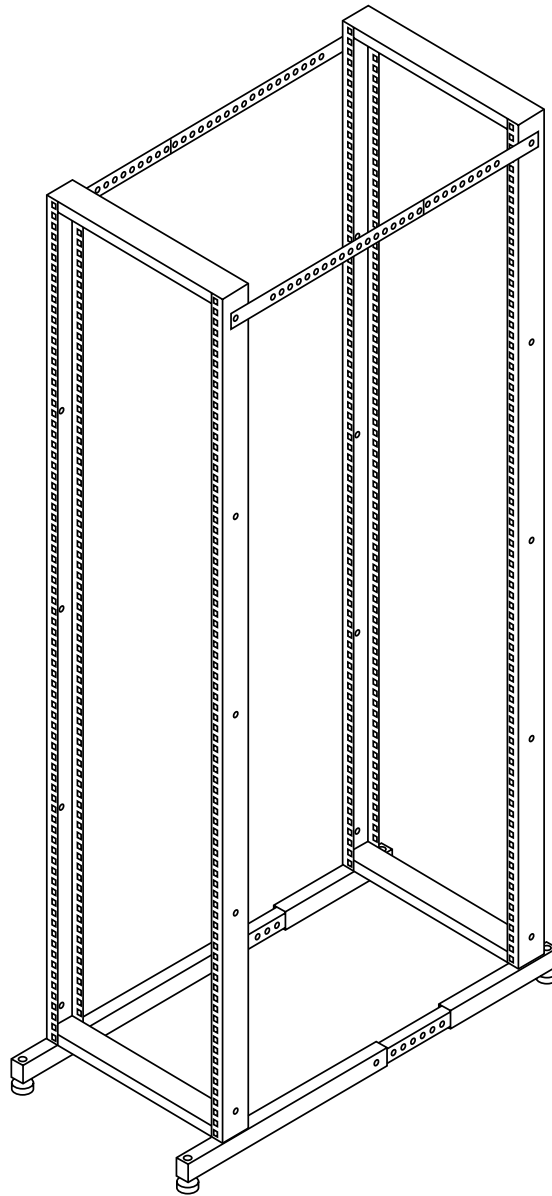


Figure 2-1. ServCenter Rack.

2.2 Accessories

A variety of accessories are available for the ServCenter Rack. They are described in **Sections 2.2.1** through **2.2.4**.

2.2.1 CASTER KIT (RF536)

The Caster Kit contains four 3"D (7.6 cm) diameter locking casters that attach to the rack.

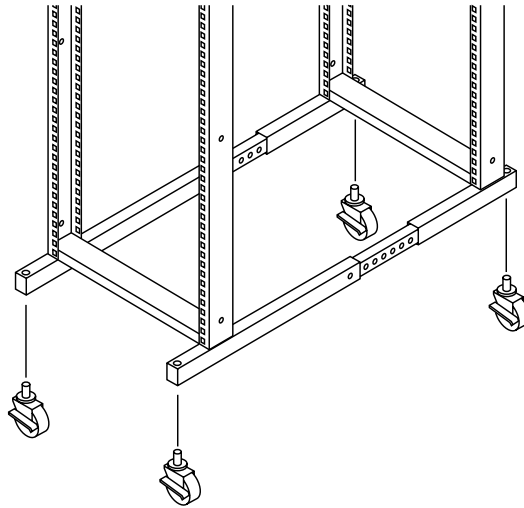


Figure 2-2. Caster Kit.

2.2.2 VENTED SHELVES (RF537 AND RF538)

Vented shelves are available in two sizes: RF537 is 17.5"W x 30"D (44.5 x 76.2 cm) and RF538 is 17.5"W x 36"D (44.5 x 91.4 cm). Each shelf holds up to 150 lb. (68 kg). Figure 2-3 shows the 30" vented shelf.

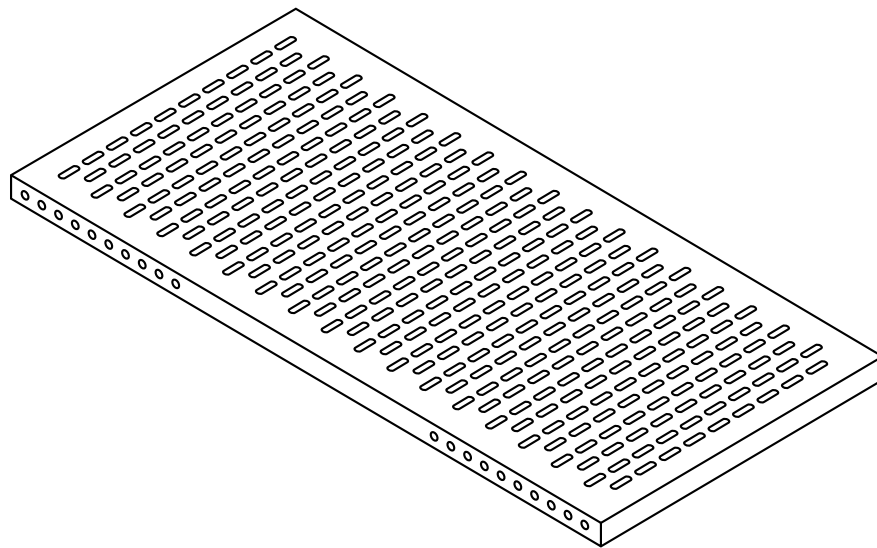


Figure 2-3. Vented Shelf, 30"D.

SERVCENTER RACK AND ACCESSORIES

2.2.3 HORIZONTAL CABLE MANAGERS (RF539 AND RF540)

The Horizontal Cable Manager (RF539) measures 19" (48.3 cm) wide and has 3"D (7.6 cm) diameter rings through which you can route cable.

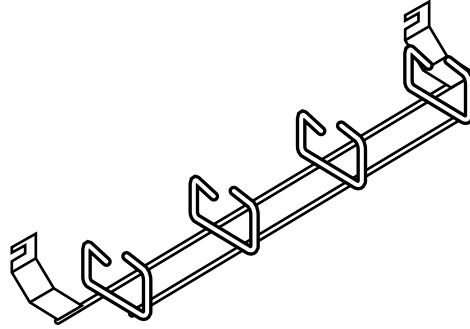


Figure 2-4. Horizontal Cable Manager.

The Horizontal Mega Cable Manager (RF540) is also 19" wide, but it features 4"D (10.2 cm) diameter rings.

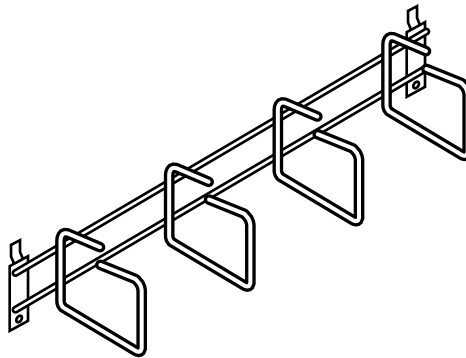


Figure 2-5. Horizontal Mega Cable Manager.

2.2.4 VERTICAL CABLE MANAGERS (RF541 AND RF542)

Choose from two steel 67.8"H (172.2 cm) Vertical Cable Managers. The Vertical Mega Cable Manager (RF541) features cable rings that measure 4.4"W x 6"D (11.2 x 15.2 cm). It fits on the side panel of the ServCenter Rack. See Figure 2-6.

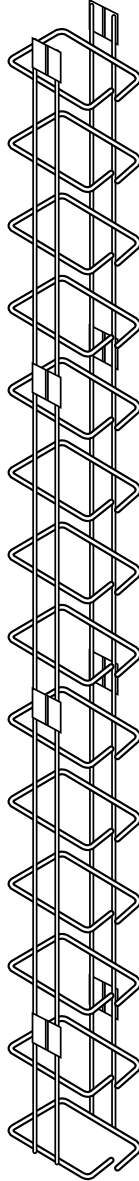


Figure 2-6. Vertical Mega Cable Manager.

SERVCENTER RACK AND ACCESSORIES

The Two-Position Vertical Cable Manager (RF542) has cable rings that measure 2.1"W x 3.6"D (5.3 x 9.1 cm). Install it in the ServCenter Rack with the rings facing out or to the side. See Figure 2-7.

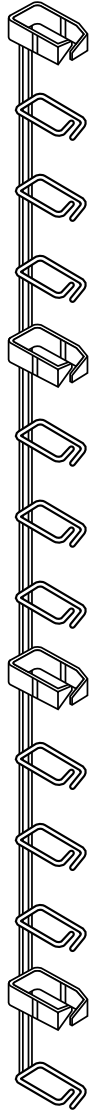


Figure 2-7. Two-Position Vertical Cable Manager.

3. Assembly

3.1 ServCenter Rack (RF535A)

1. Attach the legs to the inside of the rack leg channels using $\frac{5}{16}$ "-18 x $\frac{3}{4}$ " cap screws, $\frac{5}{16}$ " flat washers, and $\frac{5}{16}$ "-18 hex nuts. See Figure 3-1.

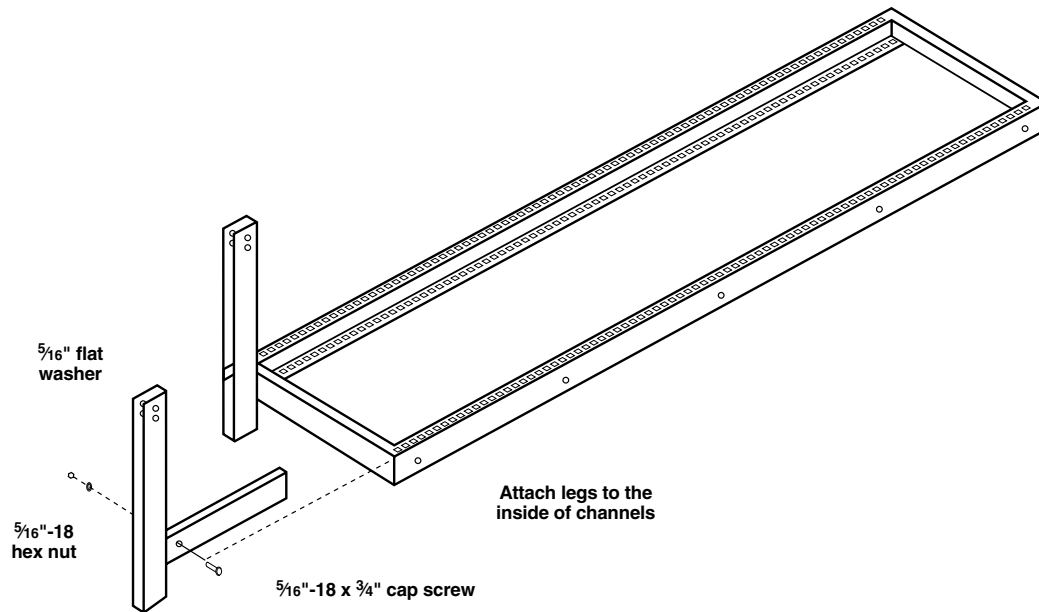


Figure 3-1. Attaching the legs with the included hardware.

NOTE

Legs are designed to fit flush with the outside of the rack (see Figure 3-2). If legs do not fit correctly, then move the leg to the other side of the rack.

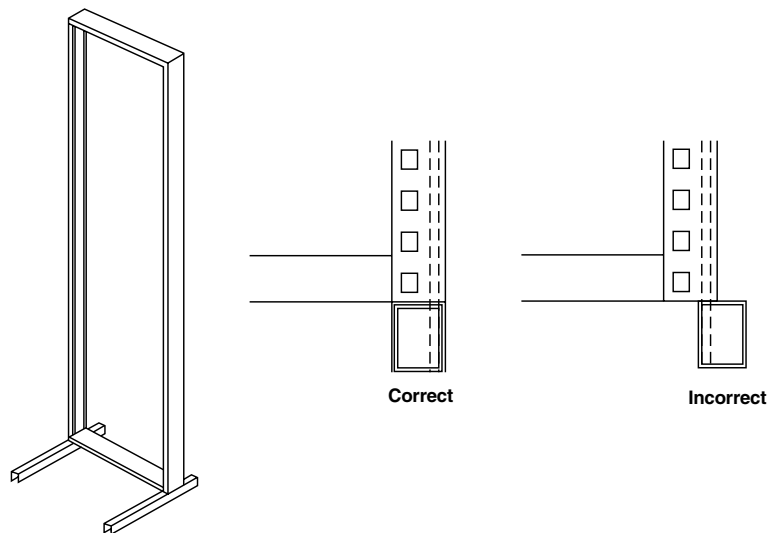


Figure 3-2. Correct position of the leg.

SERVCENTER RACK AND ACCESSORIES

2. Attach the connecting strap at the same depth as the legs using $\frac{5}{16}$ -18 x $\frac{3}{4}$ " cap screws and hex nuts.

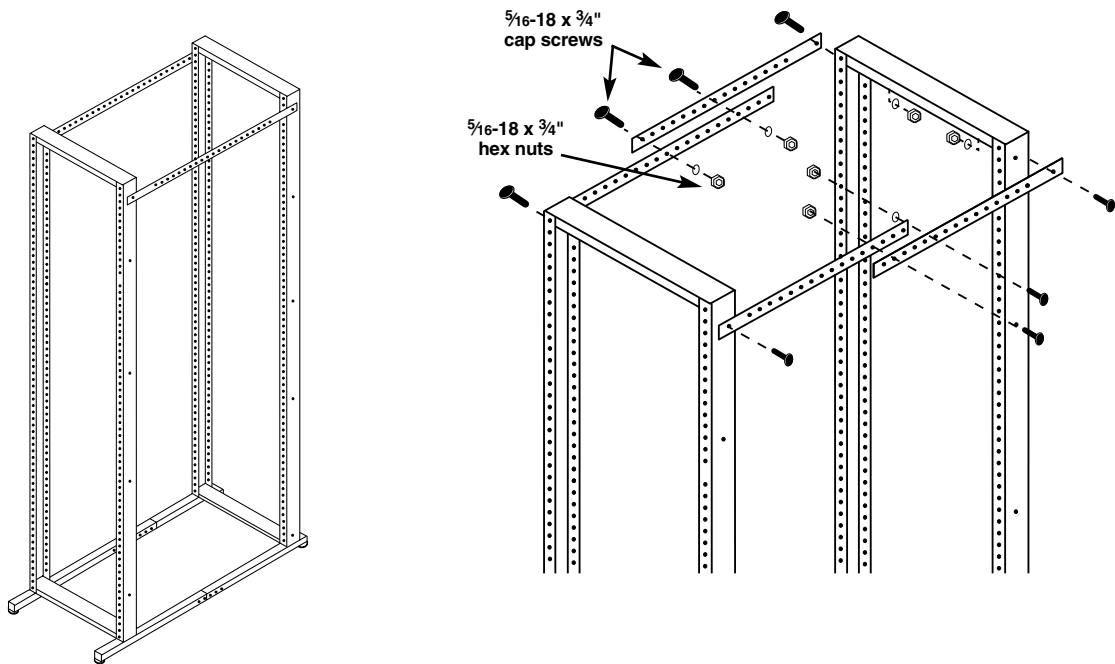


Figure 3-3. The connecting strap.

3. Tighten the screws and hex nuts (omit the leg end caps). See Figure 3-4.

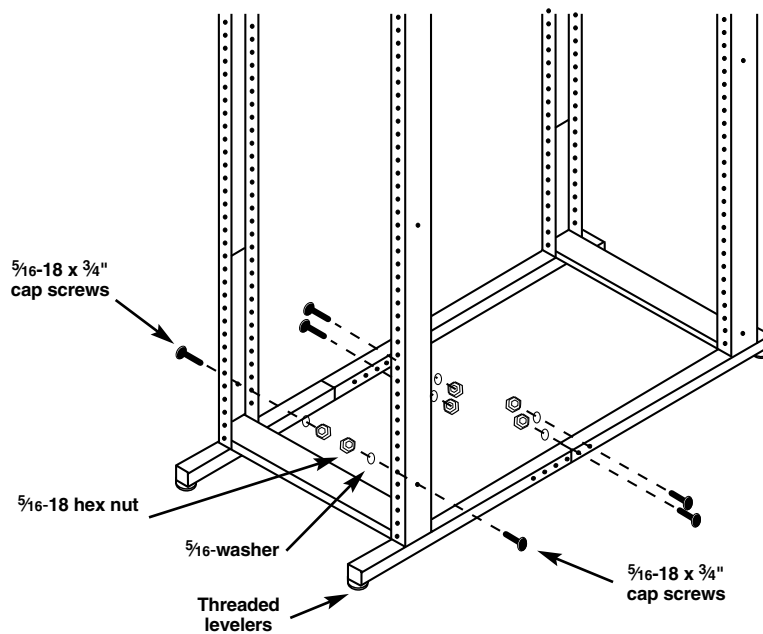


Figure 3-4. Securing the legs.

3.2 Caster Kit (RF536)

Snap the casters into place on the bottom of the rack. See Figure 3-5.

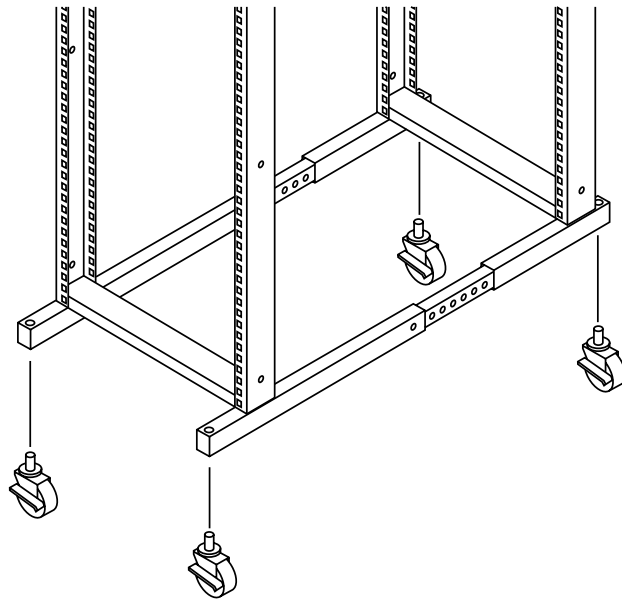
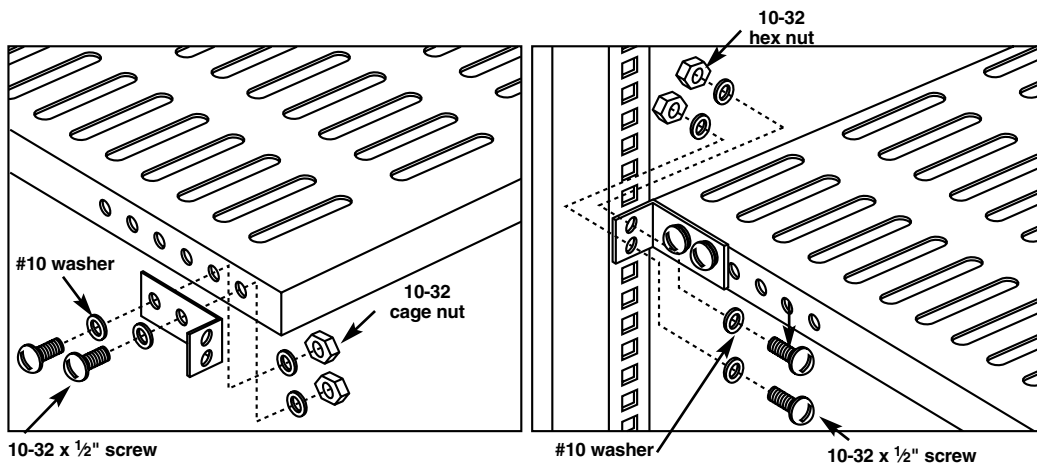


Figure 3-5. Installing the casters.

3.3 Vented Shelves (RF537 and RF538)

Using the 10-32 x 1/2" screws and 10-32 cage nuts, attach the Vented Shelf to the rack. See Figures 3-6 and 3-7.



From the side, screw shelf to brackets at each corner, as shown.

Figure 3-6. Installing the Vented Shelf 17.5"W x 30"D.

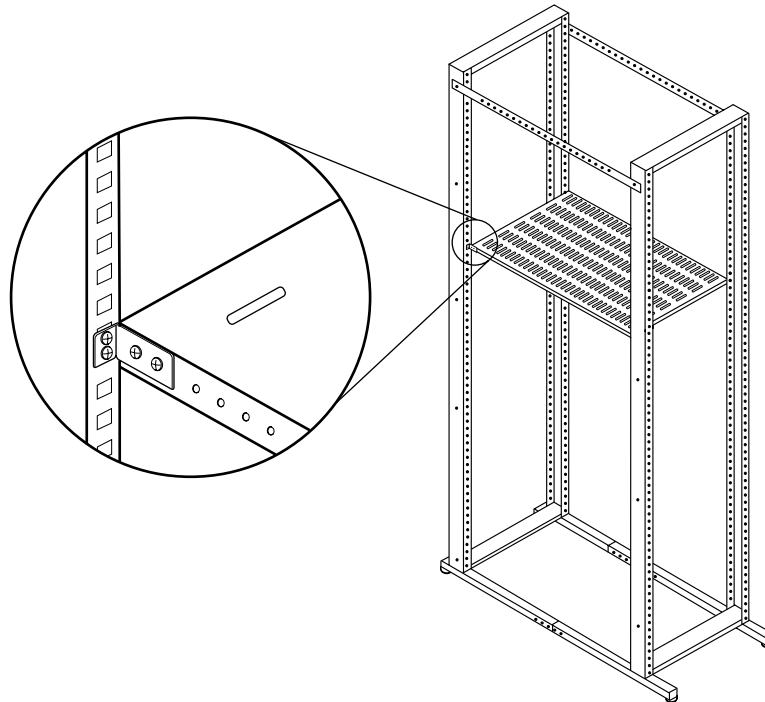


Figure 3-7. Close-up view of the Vented Shelf.

3.4 Horizontal Cable Managers (RF539 and RF540)

Using the 10-32 cage nuts and screws, install the Horizontal Cable Manager into the rack. See Figure 3-8. Loosen the screws sufficiently to allow the Cable Manager to slide into position on the rack, then tighten the screws.

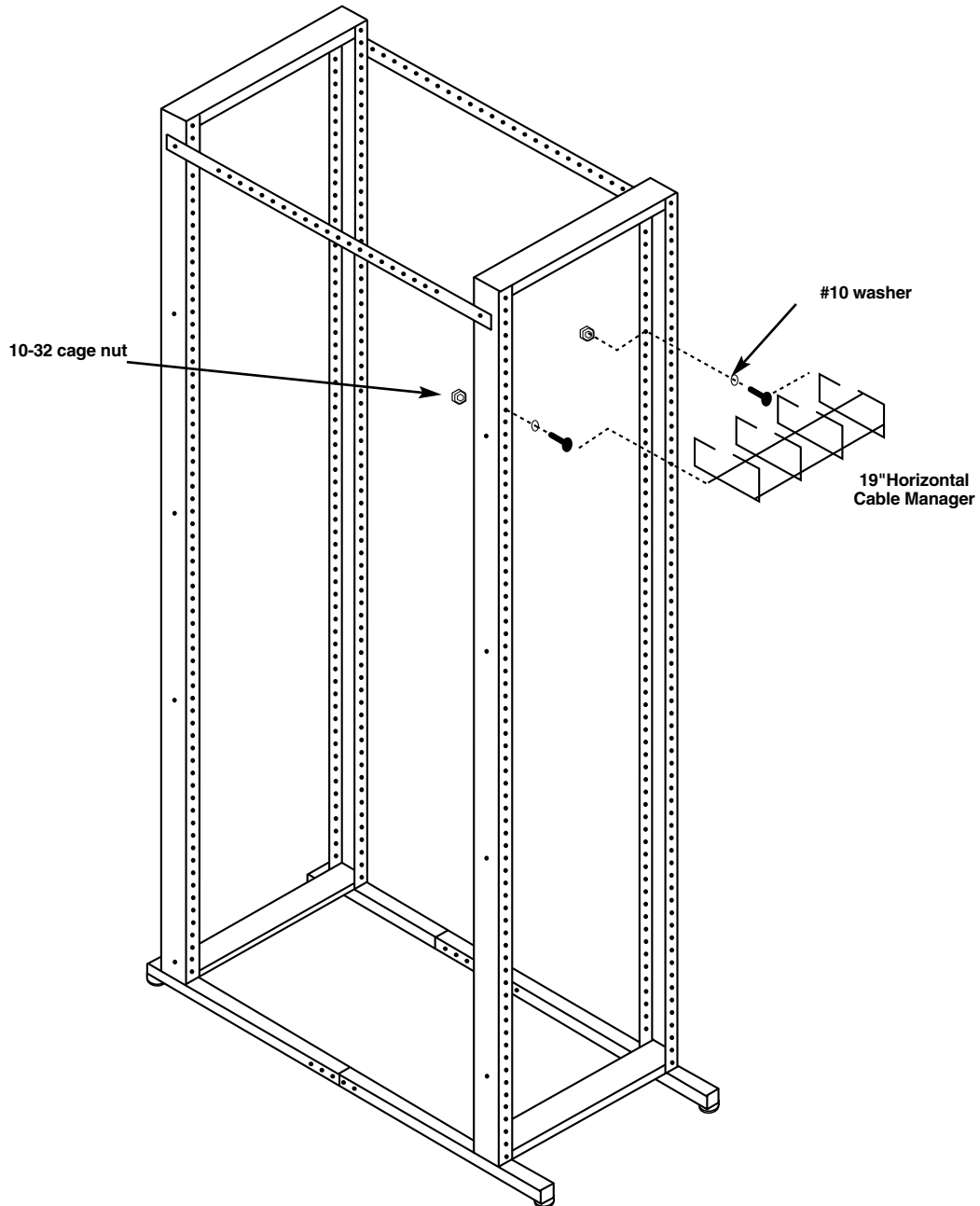


Figure 3-8. Attaching the Horizontal Cable Manager to the rack.

3.5 Vertical Cable Managers (RF541 and RF542)

Using the $\frac{1}{4}$ -20 x $\frac{1}{2}$ " cap screws, $\frac{1}{4}$ " flat washers, and $\frac{1}{4}$ -20 hex nuts, attach the Vertical Cable Manager to the rack. See Figures 3-9 through 3-11.

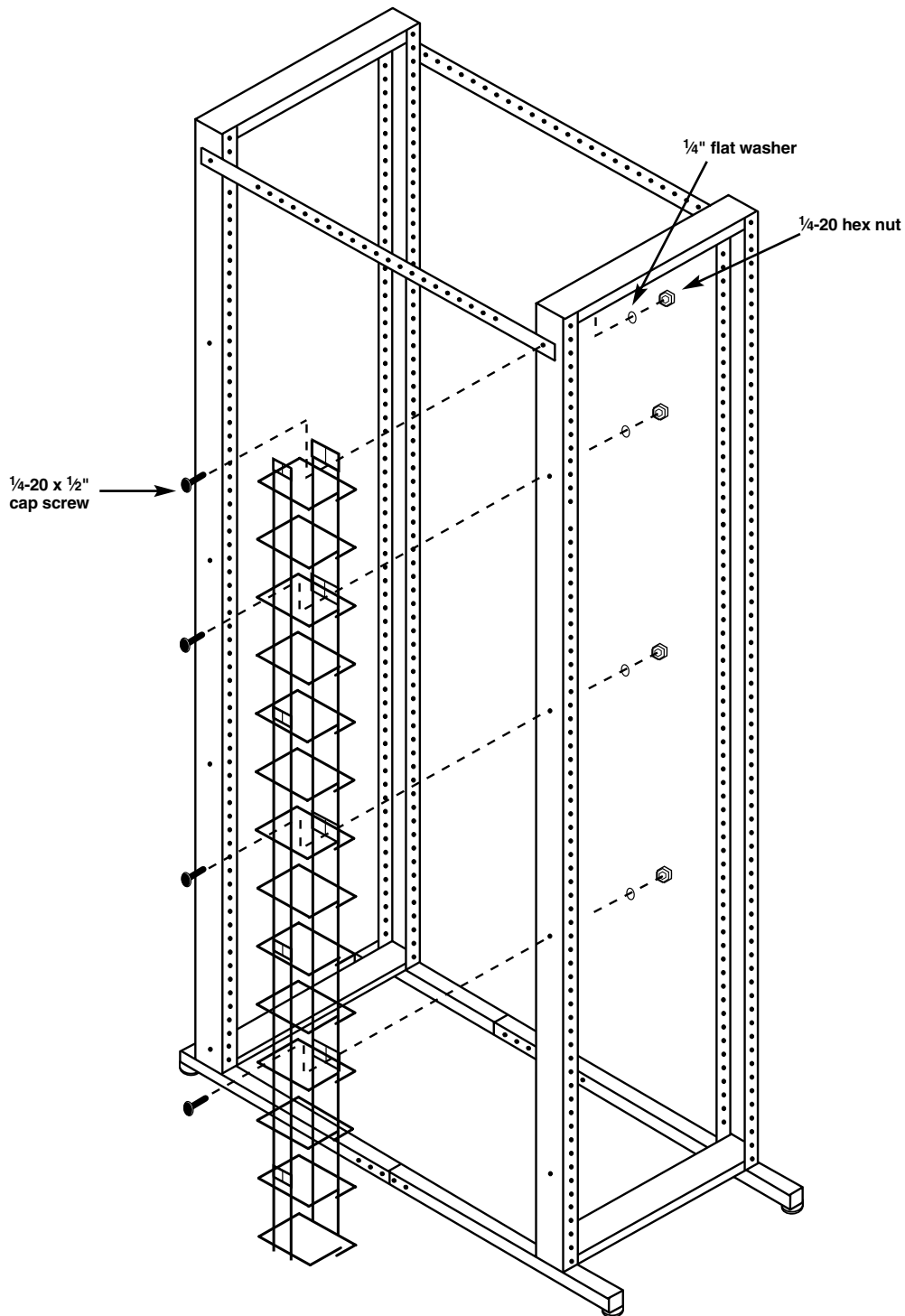


Figure 3-9. Connecting the Vertical Cable Manager (RF541) to the rack.

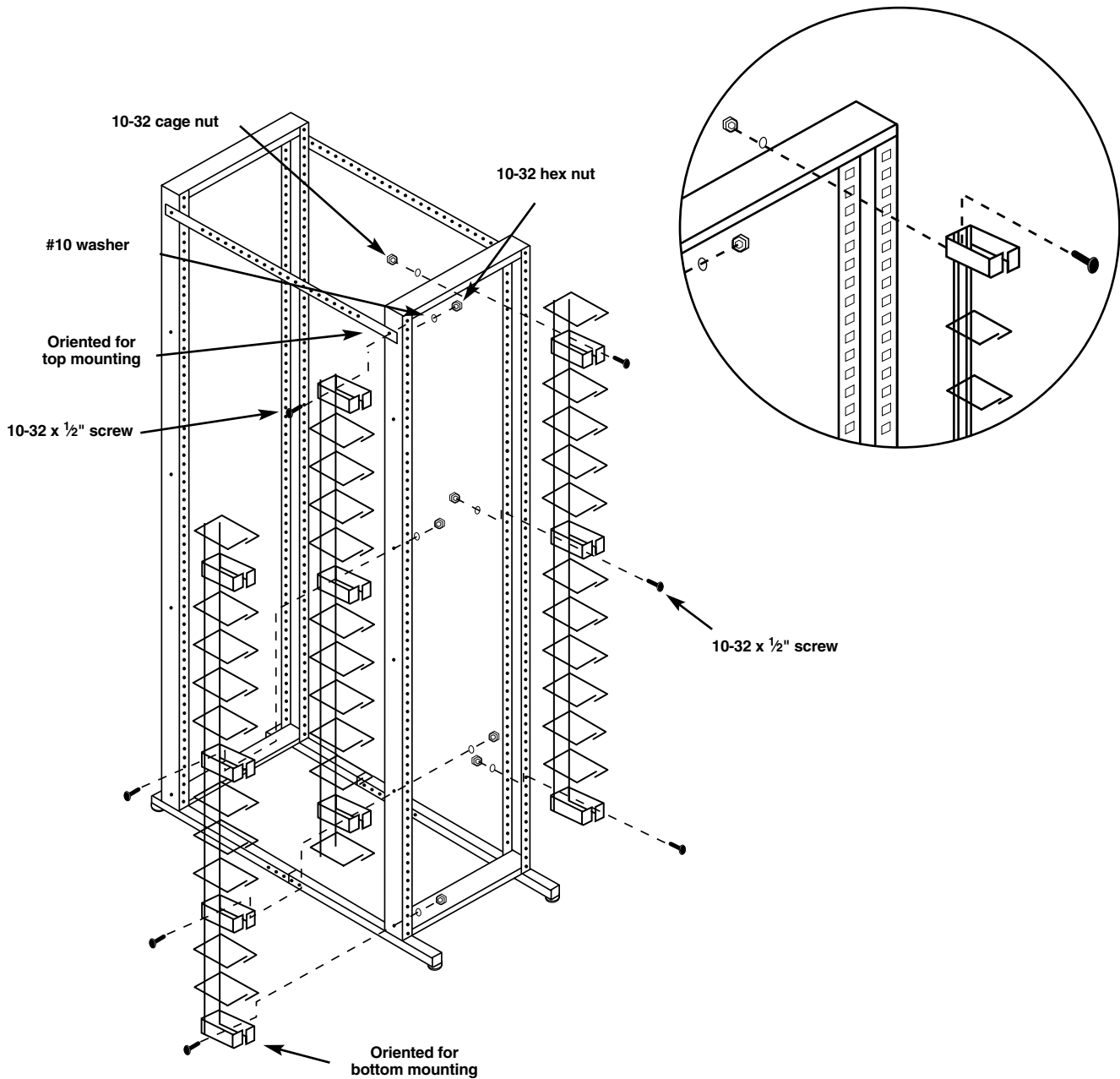


Figure 3-10. Close-up view of a Vertical Cable Manager (RF541) installation.

NOTE

When mounting the Vertical Cable Manager to the front of the rack, install the cage nuts to the inside rails of the rack (see Figure 3-10).

The cable manager can be installed in the front of or inside the rack.

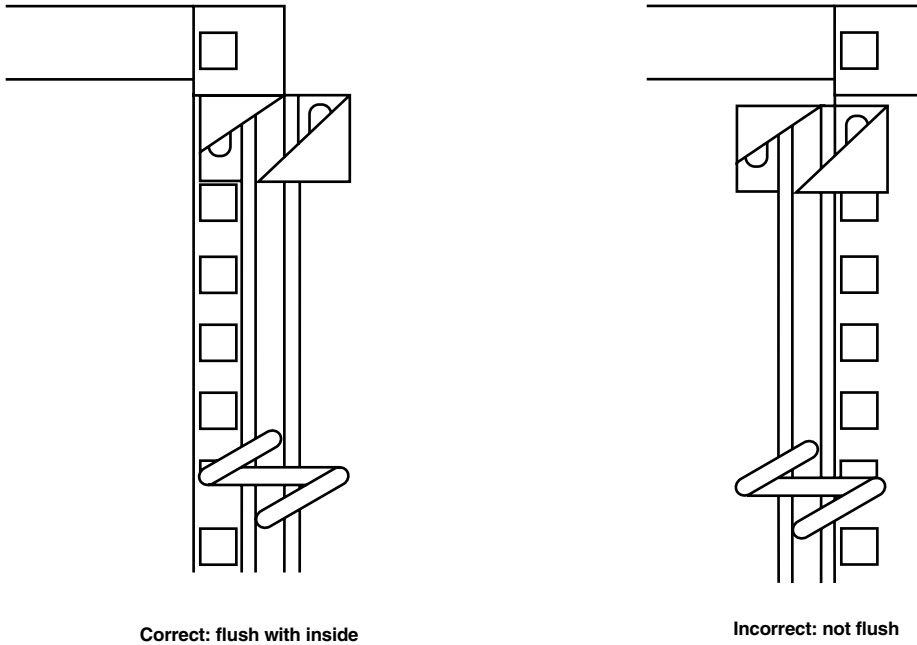


Figure 3-11. Installing the Cable Manager in the correct position.

NOTE

When mounting it to the front of the rack system, make sure that the cable manager is flush with the inside of the rack as shown in Figure 3-10. Otherwise, the cable manager will interfere with the mounted equipment.

4. Troubleshooting

4.1 Calling Black Box

If you determine that your ServCenter Rack is malfunctioning, do not attempt to alter or repair the unit. It contains no user-serviceable parts. Contact Black Box at 724-746-5500.

Before you do, make a record of the history of the problem. We will be able to provide more efficient and accurate assistance if you have a complete description, including:

- the nature and duration of the problem.
- when the problem occurs.
- the components involved in the problem.
- any particular application that, when used, appears to create the problem or make it worse.

4.2 Shipping and Packaging

If you need to transport or ship your ServCenter Rack:

- Package it carefully. We recommend that you use the original container.
- If you are shipping the ServCenter Rack for repair, make sure you include everything that came in the original package. Before you ship, contact Black Box to get a Return Authorization (RA) number.