

SPECIFICATIONS:

Protocol: Centronics

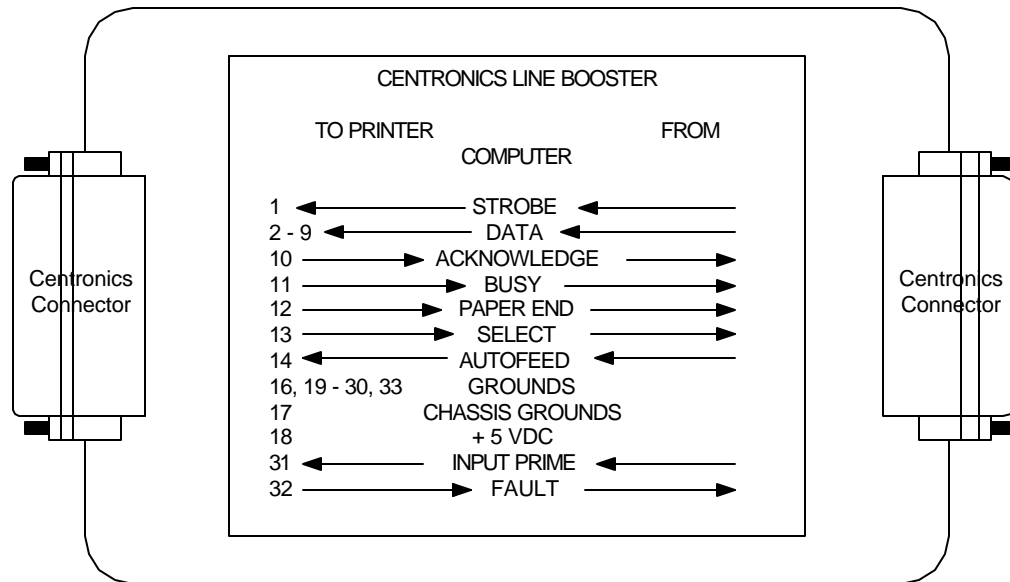
Connectors: (2) female 36 pin Centronics

Power: Output; + 5 VDC, 100 ma on pin 18, or detachable power supply

INSTALLATION:

Connect the cable from the computer or terminal (or other DCE device) to the DCE side of the Line Booster.
Connect the cable going to the printer (or other DTE device) to the DTE side of the Line Booster.

ME002A



Description:

The Centronics Line Booster doubles the maximum length of a Centronics compatible printer port cable by actively receiving and re-transmitting sixteen of the most common signal lines of this interface. It is commonly accepted that the maximum cable length of a parallel port driven by TTL drivers is 10 to 15 feet. In actual operation, depending on the environmental electrical noise, type of cabling used, and data transmission speeds, cable lengths of 25 feet are sometimes usable. Assuming continuous environmental conditions and placement of the Line Booster in the middle of the cable, this unit will approximately double the practical cable length capability of your system. With these same assumptions, the signal to noise ratio will be halved as compared to a line cable without a Line Booster. The unit is data rate and data format transparent. It can be powered from the interface or it can be powered by its detachable power supply. The lines supported and the direction of the signal flow is summarized in the table above.

There are two 36 pin receptacles (female connectors) with bail lock hardware on the unit. The detachable power supply need not be used if +5VDC is available on Pin 18 of the printer. A jumper shunt must be moved to use the +5VDC test voltage from Pin 18 if it is supplied by the printer. Moving this jumper disconnects the power supply of the unit and applies the +5VDC of the printer to the Line Booster. If more than one Line Booster is in the line, the first unit can supply power to subsequent units. The unit requires less than 100 ma of +5 VDC power. The power supply provided can easily power 3 units on one extended cable.