



***LWU0500  
Users' Manual 1.0***

*Laser safety regulations* for the Black-Box FSO  
communication systems



Black-Box FSOseries is a Class 1M Free Space Optical Communication System

It may be installed in

**Unrestricted Locations,**

areas that are normally accessible to the public; (e.g., unrestricted areas of rooftops, public areas at ground level, open areas of offices and industrial premises, etc).

**Restricted Locations**

areas that are normally inaccessible by the public - including workers, visitors, and residents in the immediate environs - by means of any administrative or engineering control measure but that is accessible to authorized personnel; (e.g. maintenance or service personnel including window cleaners in exterior locations that may not have laser safety training)

**Controlled locations**

locations where any kind of engineering or administrative control measure is introduced to make it inaccessible except to authorized personnel with appropriate laser safety training (e.g., tower mounted terminals, fenced/secure areas of rooftops, locked rooms with strictly-controlled access, etc.).

For additional details, please refer to **IEC 60825: SAFETY OF LASER PRODUCTS Part 12:** (Safety of free space optical communication systems used for transmission of information.)

Installation Restrictions for unrestricted areas:

To install a Black Box FSO system in an unrestricted location, the link head must be installed *3 meters* high or higher *above the surface* of the unrestricted area or must be *1 meter* or closer *to the edge* of the unrestricted area.

If a Black Box FSO system is installed in an unrestricted area, a *warning sign* must be posted that states. Do not use optical aids to view the FSO link heads.

***Copyright 2005. Black Box Corporation. All rights reserved***

---

Installation Restrictions for Restricted areas:

There are no special requirements for a Black Box FSO system installed in a restricted area.

Installation Restrictions for controlled areas:

No special requirements for a Black Box FSO system installed in a controlled area.

***The laser system shall be installed in accordance with ANSI Z136.1 control measures (engineering, administrative, and procedural controls).***

***Copyright 2005. Black Box Corporation. All rights reserved***

---

## 1 Table of contents

<b>1</b>	<b>Table of contents</b>	<b>4</b>
<b>2</b>	<b>Introduction</b>	<b>5</b>
2.1	What is FSO?	5
2.2	Optical Free-space Transmission	7
2.3	Typical applications	8
<b>3</b>	<b>The product BlackBox</b>	<b>9</b>
<b>4</b>	<b>Content of the package</b>	<b>11</b>
<b>5</b>	<b>Sites of installation</b>	<b>11</b>
5.1	Key factors of operation	11
5.2	Preferred installation sites	12
5.3	Direct sunshine	14
<b>6</b>	<b>Eye safety</b>	<b>14</b>
<b>7</b>	<b>The mounting bracket</b>	<i>Error! Bookmark not defined.</i>
<b>8</b>	<b>System installation</b>	<b>17</b>
8.1	On the table test	17
8.2	How can you install the ODIU?	<i>Error! Bookmark not defined.</i>
8.3	Fixing the heads	<i>Error! Bookmark not defined.</i>
8.4	Alignment of the heads	<i>Error! Bookmark not defined.</i>
8.5	Connecting to your Network	<i>Error! Bookmark not defined.</i>
<b>9</b>	<b>Warranty conditions</b>	<b>28</b>
<b>10</b>	<b>Appendix A</b>	<b>30</b>
a.	Product registration form	30
b.	Failure report form	31

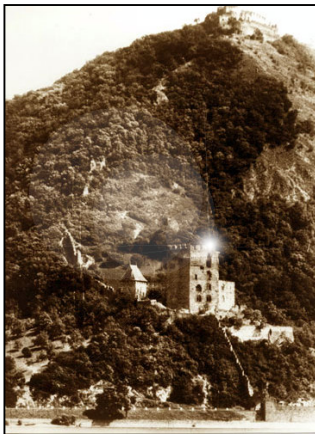
***Copyright 2005. Black Box Corporation. All rights reserved***

## 2 Introduction

### 2.1 What is FSO?

**FSO** is free space optics provides point-point broadband communications using Laser Light as the transmission medium.

**FSO** is a state of art data communication method which is based on a very old communication solution. Ancient Chinese developed a protection system against the Mongol tribes, building watchtowers within the line of site to other towers. And as soon as the towers saw some hostile sign on the horizon they use they shield to reflect the sun to the remote towers. In this way the area could be prepared against the attack in a very short period of time.



In the ancient times for this communication use the mirror as a transmitter and the sunlight was the light source, and the receiver was the remote guard's eye. This basic signalling method was developed later into up communication device which used „line coding“. This allowed the guards to tell the number of enemy, or the direction they are coming from.

Current **FSO** systems use a laser-diode as a light source, and a receptor diode (photo diode) to receive the signals coming from the laser diode from the transmitter side. But the basic elements are still the same: line of site between the communication nodes, and individual line coding. It is all about performance. **BlackBox** offers **FSO** systems with the highest power budget available on the market.

#### ***Why is it important?***

Because of in the ancient Chinese times, the rain, the fog, or even the cloudy weather, could impact the operation of the whole system.

In the **FSO** units, comprising light source and receiver the cloud problem was solved, but development conditions still can impair performance. To go throw the rain, the fog, or snow you need more and more power to be seen from the remote side. Achievable power levels are limited by a number of factors including eye safety.

In this way there is no other choice to see more than „training the eye“. Making the receiver more and more sensitive to sense delight emitted from the remote side.

**BlackBox** offers high transmit power and also very hard



***Copyright 2005. Black Box Corporation. All rights reserved***

receiver sensitivity. These two factors combined to provide one of the best performing **FSO** systems on the market today.

This manual describes the **BlackBox** product of free space laser transmission system.

The **BlackBox** product offers cost effective reliable free space laser transmission for 100 Mbps data to the air, where a clean line of site is available. It delivers the most effective point-to-point connection between computer networks or telephone exchanges.

No need for installing cables, no rental costs, no licensing requirements.

Ideal for urban areas or city centres, where the use of these lines are expensive. Suitable for factories or industrial environments where high noise level can interfere with the transmitted data. The best choice to make a connection across rivers and other natural or artificial obstacles, where cable is not available.

The transmission technique used in the **BlackBox FSO** devices provides transparent and wire-speed data transfer with virtually zero latency. Because they use infrared light as the transmission medium, **BlackBox** system do not require frequency licenses and the transmission is not effected by electro-magnetic or radio-frequency interference. Basically the **BlackBox** link can be considered as a virtual fibre in the air, which ends in real fibre optic cable at both ends.

Our product is built using high quality components for operation in even the most adverse conditions.

Metal housing gives robust, waterproof environment for the electronics.

The shield protects the device from direct sunlight and provides extra air isolation.

The **BlackBox** systems comprise two laser-heads and the two indoor interconnection units (OIU) - one at each end. The interface connections are housed in the outdoor unit together with the PSU of the system.

Best practises were employed in cost engineering throughout the development of **BlackBox** .

***Copyright 2005. Black Box Corporation. All rights reserved***

---

## 2.2 Optical Free-space Transmission

The principle used in free space laser transmission is very similar to the one is used for fibre optic transmission. The difference is while fibre optic devices use electronics and optics optimized for transmission to the air. Also one can observe to the similarity in the transmission properties. No galvanic contact, no ground-loops, no need for surge protection, noise immunity, long distances, high bandwidth.

What makes it unique – and difficult to design – is that it does not require any transmission medium like fibre or copper, but it has to cope with the dynamically changing parameters. For instance while the attenuation of an optical fibre is constant, the attenuation of the atmosphere between the laser units can change dramatically (depending on the weather conditions).

The laser-heads are usually placed on top of building, where the clean line of site is guaranteed and the beam cannot be interrupted.

In the head the incoming signal is amplified, encoded, and then drives the laser-diode. The transmitter optics assures the proper beam shape and controls the beam divergence. The receive optics perceives and directs the transmitter signal to the photo diode. The diode converts it back into electrical, than it is decoded, amplified and converted.

There are several things that can influence the quality of transmission. We can classify those factors into three main groups.

System conditions - transmitting power, transmitter's wavelength, beam divergence, receiver optics diameter, receiver sensitivity, parameters of optical system and casing. These parameters determine the system's characteristic at a certain distance and are controlled by system design and factory set up.

Weather conditions - molecular absorption, particle scattering and turbulence. These elements have great effect on the operational conditions of the system. We do not have very much influence on them; proper product selection can eliminate the undesirable effects.

Environmental conditions - building movements, direct sunlight, refractive surfaces. These are also key factors related to the installation sites and can be controlled by appropriate site survey and system installation

***Copyright 2005. Black Box Corporation. All rights reserved***

### 2.3 Typical applications

Most typically the **BlackBox** is used to interconnect LAN-s. The system is protocol transparent, thus other applications also can be taken into consideration. Appropriate interface converters are needed and system bandwidth must be matched for that. Here we collected some circumstances, where the employment of the **BlackBox** is the most adequate and cost effective solution.

Those are:

#### **Areas with natural or artificial obstacles**



Where cable is actually not an alternative, like across rivers or railways or in rugged terrain.

#### **Urban areas**

Where only leased lines are available with limited speed, and high rental cost. With Black Box links you can establish on line LAN-to-LAN connections.



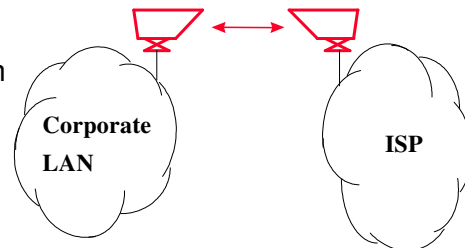
#### **Industrial areas**



Where you have noisy environment with high EMI or RFI. Factory buildings, airport objects can be connected through laser link.

#### **ISP connections**

Where high bandwidth is required. ISP's can offer high-speed links to their customers or trunks can be established between ISP's instead of expensive leased lines.



**Copyright 2005. Black Box Corporation. All rights reserved**





### 3 The product **BlackBox**

The **BlackBox** series products from **BlackBox** set a new standard for Free Space Optical transmission systems. They provide simple and easy to installation solution that is unique in laser based networking. This new range of products incorporates a lightweight, compact mechanical design with a factory-set optical system, which allows end-users to benefit from simple and quick installation. The **BlackBox** is more competitively priced than 2.4 GHz radio solutions and the bandwidth provided can be about ten times higher.

**BlackBox** range offers cost effective, reliable and secure laser based free space optical transmission for local area networks (LAN) at full duplex Fast Ethernet wire speed. The transmission carries data using a concentrated laser beam and a unique modulation technique is employed to ensure error free data transfer over distances of up to 200 meter. Transparent and wire speed data transfer together with virtually zero latency ensures that the **BlackBox** system can be easily integrated into any environment. The **BlackBox** series use laser light as a transmission medium. As with all **BlackBox** systems this means that frequency licenses are not required and transmission is not affected by electro-magnetic interference. The data transmission via a laser beam is secure as it is extremely hard to intercept, and cannot be detected by spectrum analysers. In the case of a **BlackBox** system the laser link is considered a "virtual" fibre in the air.

The **BlackBox** system comprises of two Laser Heads, two Outdoor Interconnection Units (OIU) and two sets of interconnection cables — one at each end. The Laser Heads are installed outdoors, usually on rooftops or sidewalls of buildings, where a clear optical path exists between the two sites. Next to the head the Outdoor Interconnection Unit provides fast and easy interconnection between the laser head and the cable coming from the network equipment. Moreover the OIU houses the Power Supply Unit (PSU) of the system and the network interface. The PSU provides the low voltage power required to operate the laser. Each **BlackBox** head contains built-in transmission monitoring service, which features a visual signal strength indicator and LINK status information accessible on the rear side of the head assembly through a window. In addition **BlackBox** units are equipped with optical aid to target the remote head easily. All that makes the installation real fast and easy even for people who have never dealt with FSO equipment before

By utilizing IEEE, and ITU standard compliant interfaces **BlackBox** system protects the customers' investments in long-term projects. Provides fast and easy connection for Fast-Ethernet, or PDH computer or telephone networks.

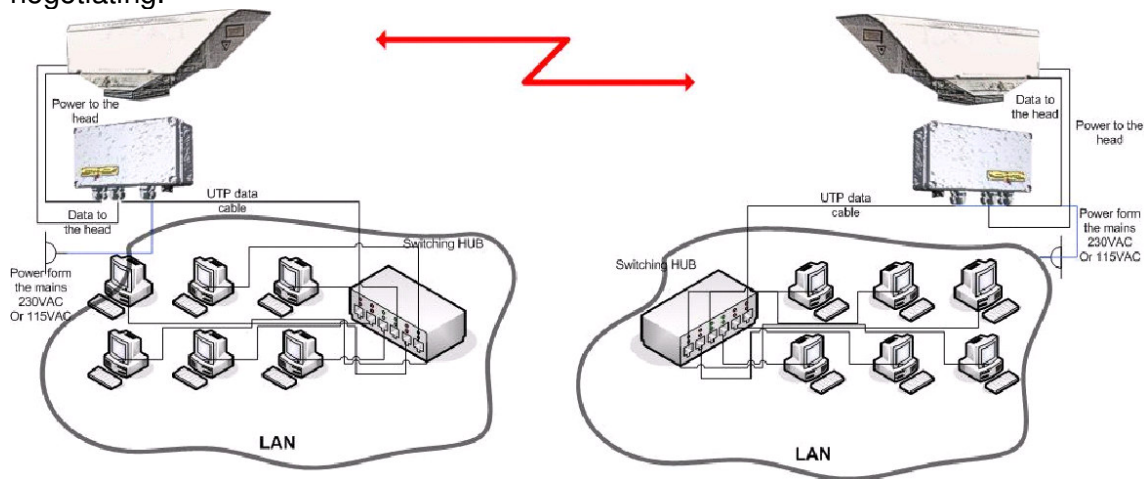
***Copyright 2005. Black Box Corporation. All rights reserved***

---

## The system layout

The systems should be considered as repeaters in the network. So the installation distance between the head and the network device is 100m. The distance on a back to back site is maximum 5 meters, between the heads.

The head needs a power and data cable, which is connected to the ODIU (Outdoor Interconnection Unit). The required power for the outdoor unit is 230VAC or 115VAC, depending on the order. Please note that the transformer is not a switching mode power supply, so has to be configured for the proper voltage before connection, this has to be done before shipment. The heads are fixed 100Mbps and are auto-negotiating.



**Copyright 2005. Black Box Corporation. All rights reserved**

## 4 Content of the package

For the **BlackBox** systems **BlackBox** provides all the necessary accessories to fix the head to the bracket, fix the Power supply unit and the bracket to the wall, below you can see what is provided in the **BlackBox** package.



- 2ps of **BlackBox** heads
- 2ps of **BlackBox** **ODIUs** (Outdoor Interconnection Unit) /the two grey plastic boxes/
- ODIU accessories:
  - 2ps of 276x110x1,5 metal plates
  - 2x4ps of 6x40 spacers
  - 2x4ps of 6x15 spacers
  - 2x4ps of M6x70 flat sphere headed screws
  - 2x4ps of M5 nuts
  - 2x4ps of spring washers
  - 2x4ps of washers
  - 2x4ps of ø8x48 wall plugs
  - 2x4ps of M4,5x70 cross headed self-tapping-screws
- 2ps of mounting brackets for **BlackBox** heads /a camera consol like grey, metal appliances/
- a manual CD
- bracket accessories bag contents see below:
  - 2x3ps of M6x90 self-tapping-bolts
  - 2x3ps of ø10x80 wall plugs
  - 2x2ps of M6x90 tangent bolts (for vertical fine alignment)
  - 2x3ps of M6x25 bolts
  - 2x3ps of M6 nuts
  - 2x6ps of 6mm spring washers
  - 2x6ps of 6mm washers



## 5 Sites of installation

### 5.1 Key factors of operation

There are four key issues that the site survey has to shed light on. Proper system operation cannot be guaranteed without satisfying all of the four requirements.

**Clear line of sight** - The entire optical path between the two ends must be free of any obstacles. It not only means that one has to see the other side, but other

**Copyright 2005. Black Box Corporation. All rights reserved**

possible sources of disturbance should also be taken into consideration. For example there might be turbulence above the roofs and other constructions, and this can cause fraction or scattering of the beam or snow accumulation on roofs too close to the beam can influence or even interrupt communication.

**Solid mount surface** - is the key for long-term operation. Since the diameter of the beam is limited, it is extremely important to mount the unit on a stable structure with the possible smallest movement. This way the receiver of the remote unit cannot get out of the beam due to the movement of the opposite head.

**East-West orientation** - although the receiver optics are equipped with optical filters to protect the receiver diode from the effect of undesired light sources, direct sunshine can cause saturation of the diode. This prevents the system from working properly for several minutes a day at certain times of the year. In most cases this effect can be avoided by careful selection of the mounting spot.

In order to comply with the requirements of the successful installation - including the discussed four key factors and other criteria - the following matters should be taken into consideration.

## 5.2 Preferred installation sites

All buildings and constructions have a certain movement of their own. It's determined by the structure and material of the building. Metal structures can shift or twist due to temperature changes. Wooden construction can expand or shrink with any changes in humidity. Give preference to concrete or brick buildings. On the other hand high structures like towers, skyscrapers or poles are always subject to movement. Mount the support frame to walls of the building or near corners, as they are the most stable spots. Use appropriate consoles for wall mounting. If a stand is used on the top of building, secure it directly to the ceiling or to the concrete cornice wherever is possible. Do not fix stands to insulating materials as they can slowly sink under the weight of the unit and with temperature changes. Big chimneys and smokestacks may look stable, but as their inner temperature varies they can also move. Vibration caused by heavy traffic, trains and elevators etc. may slowly move the system out of its specified direction. Another important consideration is to provide enough space for alignment and to have the potential for future maintenance.

<b>Preferred installation sites</b>	<b>Pay attention to</b>	<b>Avoid (*)</b>
Concrete wall	Behind window	Soft materials
Brick wall	Old constructs	Chimneys
	Microwave towers	Wooden constructs
		Metal masts or Frames
		Hidden heat isolations, like Styrofoam

(\*)

**Copyright 2005. Black Box Corporation. All rights reserved**

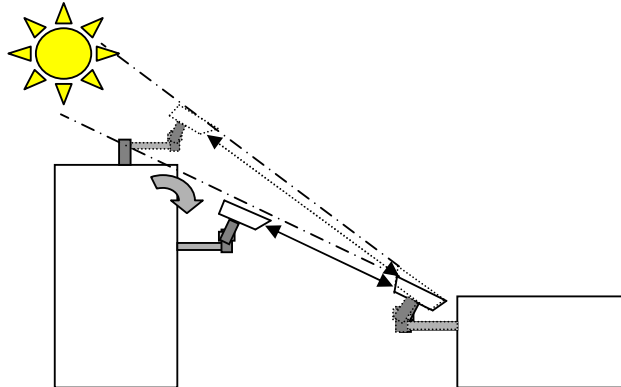
*In cases where installations are listed under "AVOID" cannot be avoided than special mounting accessories to be designed and special installations must be used.*

It is not only the building that has to be solid, but the support structure too. Antenna poles and security camera holders are not suitable for the **BlackBox** units.

***Copyright 2005. Black Box Corporation. All rights reserved***

### 5.3 Direct sunshine

To prevent the sun shining directly into the receiver optics, first one has to determine the orientation of the link. Try to avoid East-West orientation wherever it is possible. Examine both sides of the link at sunset and sunrise and find a position where the sun cannot get behind any of the heads. Be aware that the path of the sun is changing throughout the year.



## 6 Eye safety

There are no two installation spots of the same kind, the buildings or structures, the available space and the accessibility of the place will be different in each case. Nevertheless, as a general rule it is very important to select the installation site so that nobody can look directly into the transmitter. For this reason place the head either so high (on the side wall of the building) or so close to the edge of the building (on a parapet on the rooftop) that no person can approach it accidentally and can get into the beam path. Set up barriers if necessary and put warning signs at prominent places.

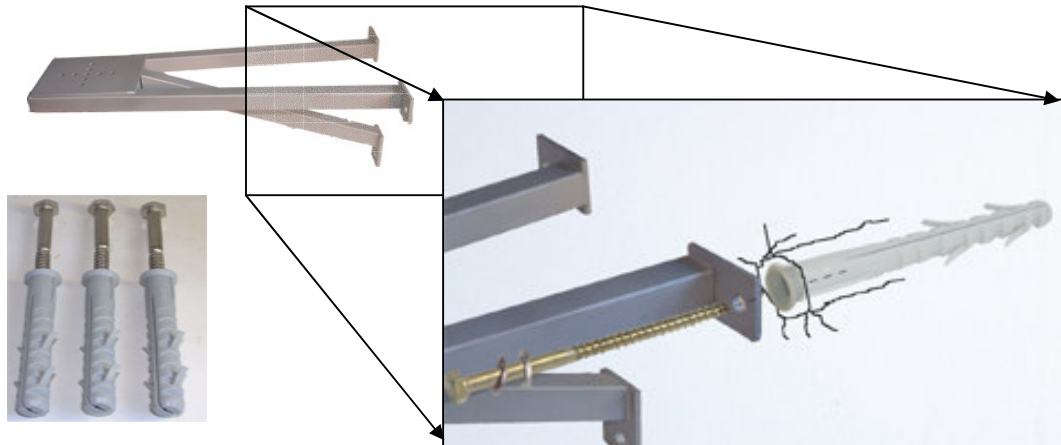
The laser heads are provided with all labels and hazard warnings required by the laser standard. There are warning labels on both the left and right side of the protective cover next to the optical window and there is a warning and an informative label on the rear side of the laser head.

***Copyright 2005. Black Box Corporation. All rights reserved***

## 6.1 The mounting bracket for LWU0500s

**Black Box** provides the mounting bracket and all the necessary components for **LWU0500** units. A simple fixing technique of this bracket can be seen on the following figure, required tools are as follows:

- drilling machine
- 10 mm wrench



### Bracket sizes:

Length: 463mm  
 Leg Width: 263mm  
 Head Width: 130mm  
 Drill size: 10mm wall drilling

### Installation steps:

- Place the bracket on the wall
- Mark the wall with a permanent marker
- Use your 10mm wall drill to drill all of the holes into the wall
- Clean the holes
- Place the wall-plugs into the holes (please note that some times you need to use hammer to put the wall-plugs into the hole, if you have to please be careful not to break the wall-plug )
- Place the bracket to the wall an line it up to the holes
- Put the screws into the wall-plug through the hole on the leg of the bracket (please see the figure above)
- Tighten up the screws

### Packet list for the bracket:

3pcs 8x110 screw for bracket fixing

### **3pcs 8x100 plastic wall-plug for bracket fixing**

2pcs M6x90 bolt Head fixing

3pcs M6x25 screw Head fixing

3pcs M6 bolt head fixing

6pcs 6mm spacer bracket and head fixing

***Copyright 2005. Black Box Corporation. All rights reserved***

6pcs 6mm spring spacer bracket and head fixing

***Copyright 2005. Black Box Corporation. All rights reserved***

---



## 7 System installation

### 7.1 On the table test

**Warning!** Do not look either into the transmitter or the receiver optics because at this distance even the reflected laser beam *can* be dangerous to your eyes. Operating the system on much shorter distance than presumed originally can cause saturation or even permanent damage to the receiver. Always use optical attenuators for this kind of test.

The on-the-table test needs careful planning and careful use during the test period. The units should be placed at about 2 m distance from each other with optical windows facing one another. Put an appropriate optical attenuator (Attenuating foil or cardboard with several small holes) between the heads. Make all the necessary connection as described below to connect your network equipment (computer or protocol analyzer) to the heads and power up the units. Turn ON the Outdoor Interconnection Units and check if the power LED is ON on the head.

You should be able to align the units without any tool and get full received level on the signal strength LED's. Make sure that the "Saturation" indicator is OFF. Adjust your attenuators if necessary to avoid saturation of the receivers.

Please note that at this short distance, specially the longer distance links can reflect to the remote site or even to the same head. If you experience full receiving level, with no traffic throughput, in that case try to move the heads slightly units out of the reflection zone.



Please also take in consideration that the laser beam is concentrated and in such a short distance can harm your eyes, every time you test the units on short distance, do it with extra care. Never look into the sighting device if the remote laser is turned on. We strongly suggest to double check the power connection before you turn on the device. Handle the power connection with extra care. Safety first.

After obtaining the desired received level, check the data connection between devices. Using computers or appropriate testing devices.

On the table tests are perfect for troubleshooting (If there is a transmission problem, check the status of the connecting devices (e.g. Link signal or cable polarity) and

***Copyright 2005. Black Box Corporation. All rights reserved***

cables.) in a controlled area. If you experience some problems during the test, please try to test the connected equipments with a direct connection.

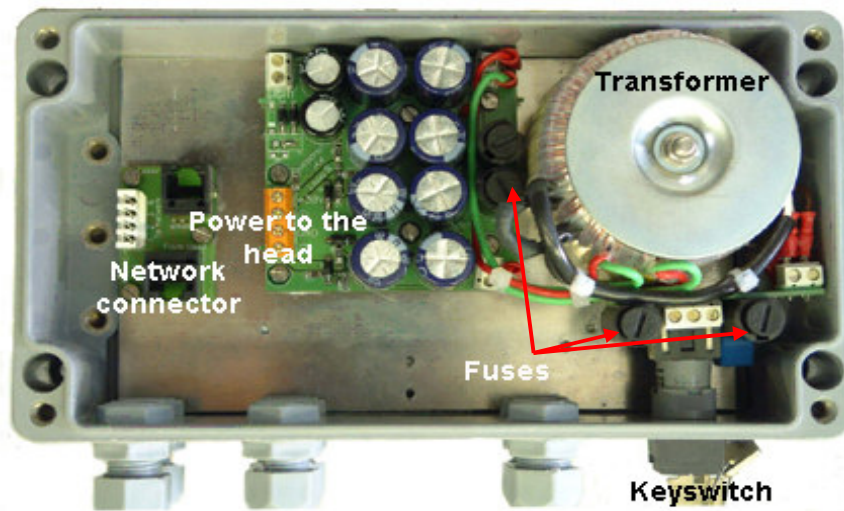
***Copyright 2005. Black Box Corporation. All rights reserved***

---

### 7.1.1 How can you install the ODIU?

#### **Functionalities of the ODIU**

The outdoor interconnection unit (ODIU) provides the power supply and data connection for the head. The power connection (+8VDC, GND, -8VDC and +30VDC).



The ODIU made from poly-propylene enforced with fibre. This construction provides robust shock and waterproof environment (IP65) for the electrical devices.

The transformer is a not switch able transformer, so the main voltage must match to the one marked on the front cover. If the main power is different then this can damage the transformer.

In the ODIU there can be found four fuses, two for the transformer and the other two for the head.

#### **Fuses**

On the primarily side, the fuse ratings are: T0,8A (250V)

- in the case of glassheater the fuses are T1,6A (250V)

On the secondary side, the fuse ratings are: T4A (250V)

- in the case of glassheater the fuses are T4A (250V)

On the glassheater-panel the fuses are T6,3A (250V)

**Copyright 2005. Black Box Corporation. All rights reserved**

### ***Installing the ODIU box***

The physical fixing of the ODIU box can be seen below.

#### **Necessary toolkit:**

- Philips screwdriver
- 5mm wrench
- Drilling machine with an Ø8mm bit (the minimum effective length is 50mm)

#### **First you have to fix the ODIU box to the metal plate:**

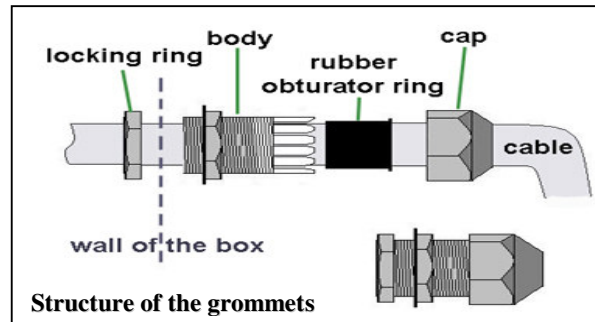
- Pick the four M6x70 flat sphere headed screws, and take them to the holes on the corners of the box
- On the back of the box, where the screws came out, you have to put up the four 6x40 spacers (these are the longer ones) to the legs of the screws
- Pull on the metal plate to the legs of the screws
- Fix the metal plate with four M5 nuts using the four washers, and four spring washers like in the figure



***Copyright 2005. Black Box Corporation. All rights reserved***

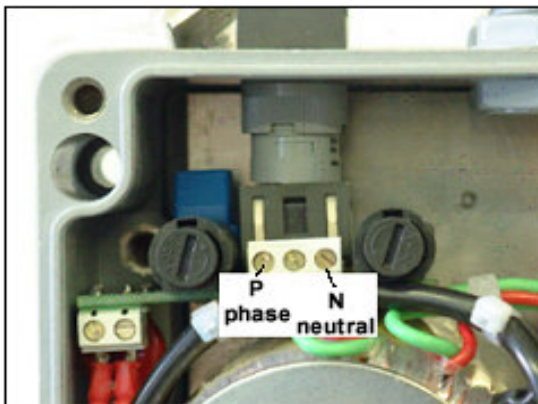
### Then you can fix the whole construction to a wall:

- Drill four holes, using the metal plate for measuring the places of the bores, with a Ø8mm bit. The depth of the bores have to be a minimum of 50mm
- Put the four wall-plugs into the four holes
- Put the four M4,5x70 cross headed self-tapping-screws through the four free holes of the metal plate
- Pull up the four 6x15 spacers (the shorter ones) to the screws
- Tight the screws into the wall-plugs, and tight it up as strong as possible for the appropriate fastening



### Connecting the head to the ODIU, and the ODIU to the power supply

Ensure that the cables are connected as it seen below.

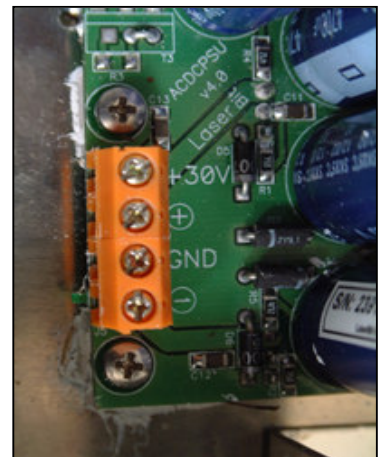


For the power connection recommended to use three-wired Ø0,75mm cables. The order of the connection can be seen on the figure.

- P – Phase
- N - Neutral

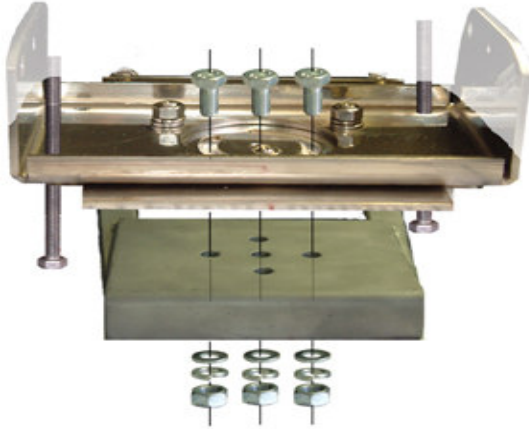
The necessary power can be supported to the head by the connector which can be seen in the figure next to this text. Order of the cables from the head: (the four-twisted-pair-wired cable)

- Brown - +30V
- Green - +8V
- Twisted (orange-white & green-white) - GND
- Orange - -8V



#### 7.1.2 Fixing the heads

**Copyright 2005. Black Box Corporation. All rights reserved**



Your **LWU0500** head can be fixed to its stand with the three M6x25 bolts.

On the figure you can see a plinth of a **LWU0500** unit, a head of a **LWU0500** mounting bracket, and the necessary fixing parts. The steps of the fixing are:

- First place the head to the stand
- Place the bolts into the holes which is easily accessible for the installation and the two cuts
- Place up the washers and spring washers

- Fix the bolts with the nuts

After you put up the washers and the nuts, do not screw the nuts up tight because of the comfortable positioning (see the chapter of Alignment).

After the fixing, place the two M6x90 tangent bolts into the two of the four holes on the corners of the plinth. The important is that the bolts have to be in opposite corners. You can do the vertical fine alignment with these bolts.

### 7.1.3 Alignment of the heads



- Target Side B with the crosshair built in to the head on Side A
- Repeat the first step with Side B!
- Power up the heads!
- Screw the three nuts up tight on both heads, which were used for the head fastening, but be careful that the heads do not move out from its position!
- Screw the two nuts up tight on both heads, which are used for the fixing the vertical direction,

but be careful that the heads do not move out from its position!

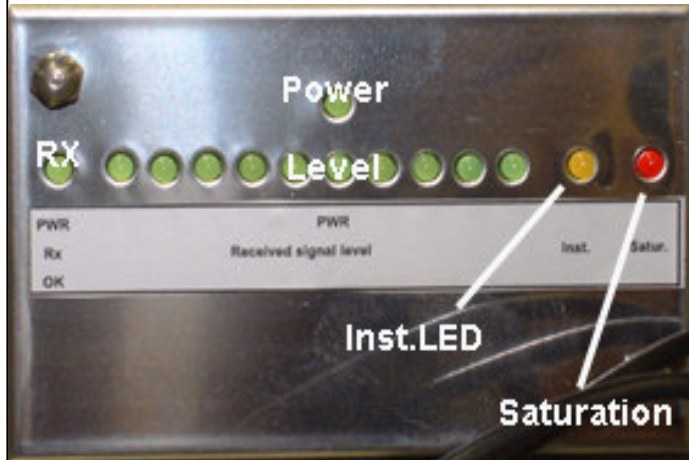
***Copyright 2005. Black Box Corporation. All rights reserved***



### **Meanings of the LEDs**

#### **Power:**

The head is powered up.



#### **RX OK:**

There is enough light to start communicate through the link.

#### **Level LEDs:**

The function of these 10 green LEDs is to give visual information about the incoming light efficiency

#### **Installation LED:**

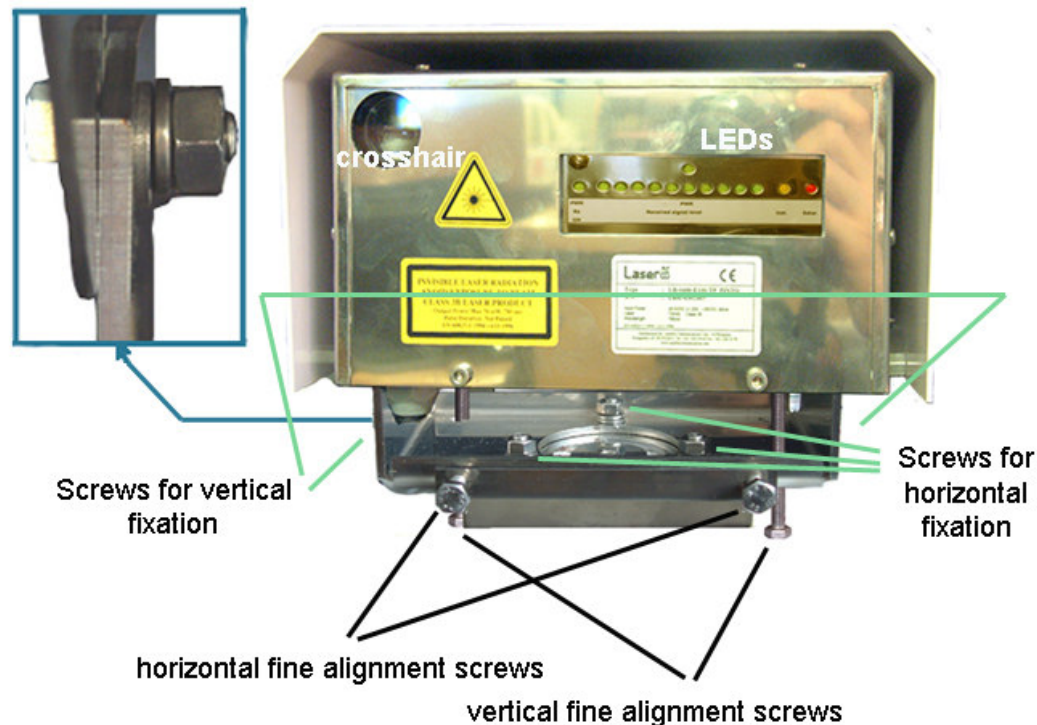
It signs you have the biggest amount of incoming light efficiency which is still not overloads the receiver

#### **Saturation:**

Overload (Overloading can cause stop in the communication, and permanently it can damage the receiver)

After 15mW (or higher) incoming light efficiency

***Copyright 2005. Black Box Corporation. All rights reserved***



- After the heads are lined up with the sighting device, you have lined the units into a negligent position
- Following the LED's you might require some fine alignment! Depending on the distance this can be small or large movements.  
/Please note the larger the distance the less movements are required for the fine alignment, The importance of the fine alignment counts, so please take your time to do it accurate as possible/
- The Fine adjustments should be done as follows
  - 1 First using the horizontal fine adjustment bolts make the two bolts hand-tight
  - 2 Tight the left bolt with a 10mm spanner and look at the readings on the receiver, if the receiving level start decreasing again, start using the bolt on the right hand side and tighten it with the spanner, and reach the maximum again. We strongly suggest you to repeat the steps 2-3 times to make sure that the bolts are tight.
  - 3 In the meantime the remote end should look at the receiving level. And if the receiving level decreases dramatically the tightening procedure should start again.
  - 4 If the horizontal alignment was done then using the vertical fine alignment bolt /can be seen on the figure above/ this alignment should be done.

***Copyright 2005. Black Box Corporation. All rights reserved***

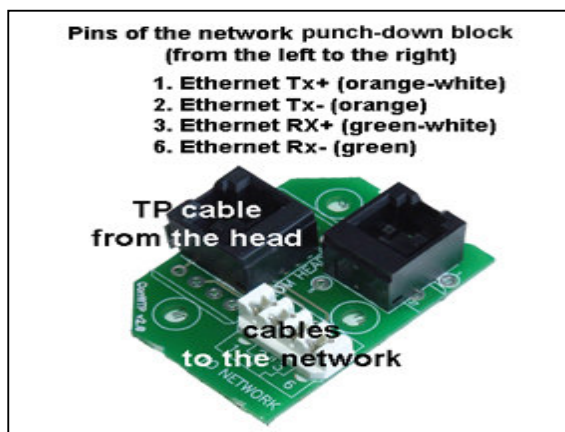


/Please note that the vertical fine adjustment bolts should be placed in cross/

- 5 Hands tighten the two bolts.
  - 6 Tight the front bolt with a 10mm spanner and look at the readings on the receiver, if the receiving level start decreasing again, start using the bolt on the rear and tighten it with the spanner, and reach the maximum again. We strongly suggest you to repeat the steps 2-3 times to make sure that the bolts are tight
- Repeat the steps 1-6 on the remote end as well.
  - Now the system is secured with the fine adjustment bolts. The long term alignment bolts should be tightened on side and on the button of the unit.
- /Please note: During the tightening process should you experience some movements. This should be compensated with further tightening of the fine adjustment bolts./

### 7.1.4 Connecting to your Network

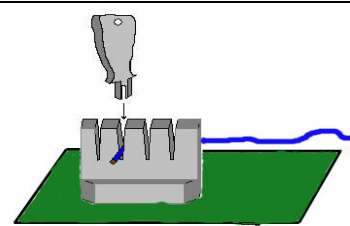
#### ***If you have a TP head***



You can find a TP connector unit in your ODIU, with there connectors. You have to plug in the TP cable of your head into the RJ45 connector. Your network is connectable to the LB system using the white one rowed connector, where you have to connect the four cable of your network with the help of the punch down tool. The order of the cable can be seen on the figure.

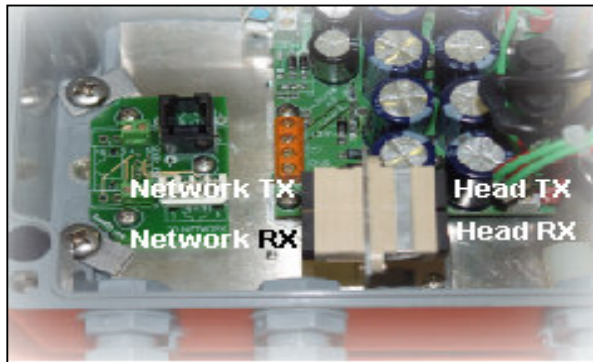
#### **The punch-down tool**

Place your first cable on the top of the chosen connector, without removing of the insulator from the cable. Then using the punch down tool push down the cable into the connector.



***Copyright 2005. Black Box Corporation. All rights reserved***

***If you have a TC head***

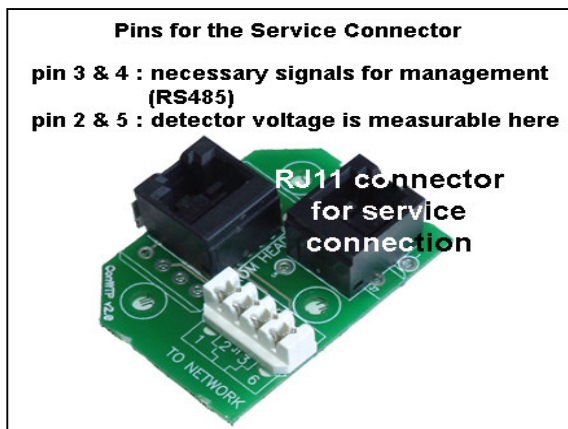


You can find a two sided fibre connector in your ODIU. You have to connect the fibre cable of your head into the one side of the connector, and into the other side you have connect the fibre cable of you network equipment (switch; router or LB combiner). The fibre plugs of the heads are always SC typed, which means that them cross-sections are cubic form. The fibre connector in the

ODIU is SC-SC typed, so you have to provide an SC fibre plug for you network. The SC-SC connector is a reversible part, so you can connect in the first plug where you want, the important is that the two plugs of the head have to be on one side, and the two plugs of the network have to be on the other, and if you plug in the transmitter side of the head into a connector, then the transmitter side of the network have to be in the opposite connector of the previous, and do the same with the other sides too.

7.1.5 Connecting to the management

***If you have a TP head***

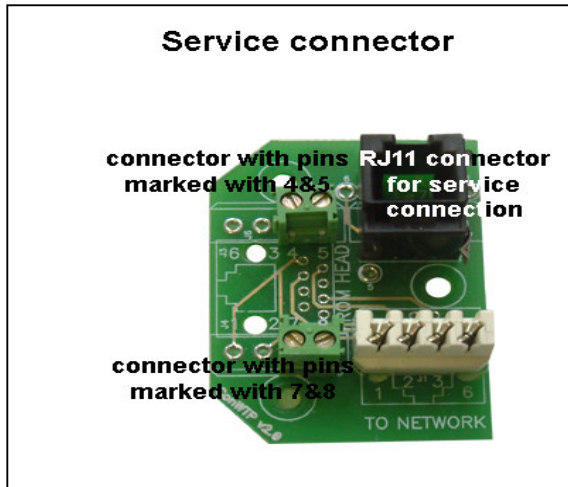


Using the RJ11 Sevice Connector you can connect your management indoor unit to the head, and you can measure the detector voltage of the receiver of the head as well.

More details about the management please find to see its own Users' Manual.

***Copyright 2005. Black Box Corporation. All rights reserved***

**If you have a TC head**



Using the RJ11 Service Connector and the two green connectors you can connect your management indoor unit to the head.

The necessary signals can be found on the blue and blue-white wires of the head power cable. You have to connect these two wires into two pins of the four of the two green connectors. These pins are connected to the pins of the RJ11 Service Connector. The order of connections is the following:

Pin of the green connector	4	5	7	8
Pin of the RJ11 Service Connector	4	5	3	2

More details about the management please find to see its own Users' Manual.  
(please connect the blue and the blue-white wires to the Pin number 4&7 in case of The Web-Based LB-View MGM unit)

**Copyright 2005. Black Box Corporation. All rights reserved**

## 8 Warranty conditions

**BlackBox** warrants that the **BlackBox** product purchased will free from defects in material and workmanship for a period of one (1) year from the date of purchase. This warranty period will not be extended by virtue of a repair of the product or a replacement of any component of the product during the warranty period.

This warranty covers only normal commercial use. **BlackBox** is not responsible for warranty service should the **BlackBox** identification marks, serial numbers or original seals be removed, altered, or broken, or should the product fail to be properly maintained or fail to function properly as a result of any modification, misuse, abuse, improper installation, neglect, improper shipping, damage caused by disasters such as fire, flood, earthquake or lightning, improper electrical current, or service other than by **BlackBox** or its authorised partners.

If the **BlackBox** product fails to operate as warranted at any time during the warranty period, **BlackBox** will repair, or at its option, replace the defective product at no additional charge.

In no event will **BlackBox** be liable for any damages including loss of data, lost profits, lost savings, lost business, or other incidental or consequential or indirect damages arising out of the installation, use, maintenance, performance, failure or interruption of the **BlackBox** product, even if **BlackBox** has been advised of the possibility of such damage.

The purchaser or user shall have the responsibility to give **BlackBox** prompt written notice of any warranty claims. If the product was purchased through an authorised partner of **BlackBox**, notice may be given in writing to that authorised partner in the area in which the product was being used.

The product may be returned to **BlackBox** only if it has a Return Material Authorisation (RMA) number. The product must be shipped prepaid, insured and in the original shipping package or similar package for safe shipment. The RMA number must be marked on the outside of the shipping package. Any product returned without an RMA number shall be rejected.

Transportation charges for the return of the product will be paid by **BlackBox** if it is determined by **BlackBox** that the product was defective within the terms of the warranty; otherwise the purchaser or user shall be responsible for costs of return handling and transportation.

If the **BlackBox** product does not operate as warranted above, the customer's sole remedy shall be repair or replacement. The foregoing warranties and remedies are exclusive and are in lieu of all other warranties, expressed or implied, either in fact or by operation of law, statutory or otherwise, including warranties of merchantability and fitness for a particular purpose. **BlackBox** neither assumes nor authorises any

***Copyright 2005. Black Box Corporation. All rights reserved***

---


other person to assume for it any other liability in connection with the sale, installation, use or maintenance of the product.

***Copyright 2005. Black Box Corporation. All rights reserved***

## 9 Appendix A

### a. Product registration form


Please take your time to fill out **Black Box** product registration form to ensure your warranty period begins, otherwise **Black Box** consider warranty beginning from the date of shipment from **Black Box**.

 <b>BLACK BOX</b> <small>FIELDWORK SERVICES</small>		Product Registration Form	
Customer Name		Contact Name:	
Address		Tel.:	
		Fax.:	
		Email:	
Link Information			
Link type	LB-	-	
S/N 1		S/N 2	
OIR Information <small>Initials and Name of User</small>			
S/N 1		S/N 2	
Description of Installation			
Connecting devices		S/S# A	S/S# B
Detector voltages			
Beam Diameter in CM's			
Installation Distance	Installation date	Duration of Installation	
Installation done by		Company name	
		Phone Nr.:	
		Email:	
		Fax Nr.:	

**Copyright 2005. Black Box Corporation. All rights reserved**

b. Failure report form

In case of failures please report it to the **BlackBox**, with filling out the failure report form and forward it to the **BlackBox**!

 <b>BLACK BOX</b> <small>NETWORK SERVICES</small>		<b>Failure Report Form</b>	
Customer Name: _____		Contact Name: _____	
Address: _____		Tel.: _____	
		Fax: _____	
		E-mail: _____	
Link Information: _____			
Link type: _____			
S/N 1: _____		S/N 2: _____	
ONU Information: _____			
S/N 1: _____		S/N 2: _____	
Description of the Failure: _____ _____ _____ _____			
Date of failure: _____		Date of Failure report: _____	
<small>Please Observe and please do not write into the section below</small>			
Failure report Nr: _____		Issued by: _____	
Issue Date: _____			

**Copyright 2005. Black Box Corporation. All rights reserved**