

## Installation

This installation guide gives step-by-step instructions about how to install the Express Entry Ethernet Switches: LB8405A-R3

### Selecting a Site for the Express Ethernet Switch: LB8405A-R3

As with any electronic device, you should place the switch where it will not be subject to extreme temperatures, humidity, or electromagnetic interference. Specifically, the site you select should meet the following requirements:

- ?? The ambient temperature should be between 32 and 104 degrees Fahrenheit (0 to 40 degrees Celsius).
- ?? The relative humidity should be less than 90 percent, non-condensing.
- ?? Surrounding electrical devices should not exceed the electromagnetic field (RFC) standards for IEC 801-3, Level 2 (3V/M) field strength.
- ?? Make sure that the switch receives adequate ventilation. Do not block the ventilation holes on the side of the switch or the fan exhaust port on the rear of the switch.
- ?? The power outlet should be within 1.8meter (6 feet) of the switch.

### Connecting to Your Network

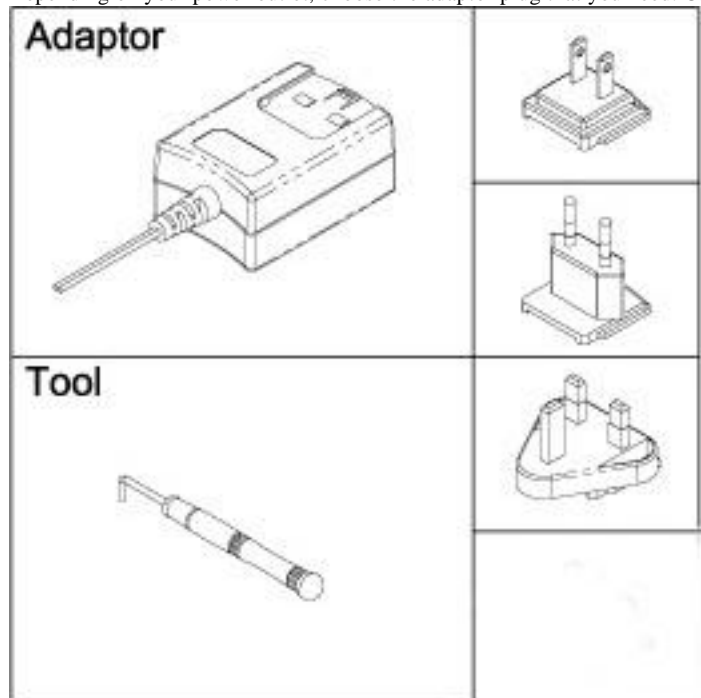
Connect network cables from computers or network segments to the TX ports on the back of the unit.

#### Cabling Information

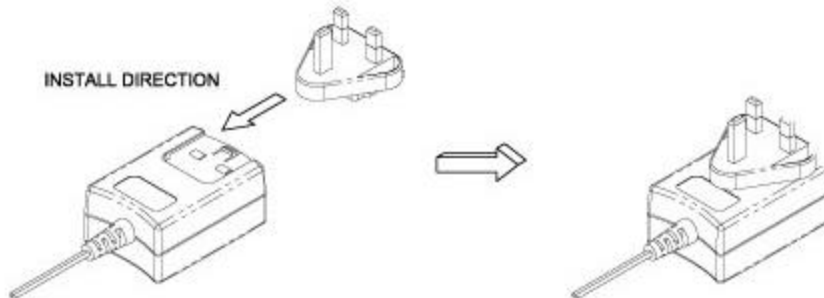
Speed	Connector	Port Speed Half/Full Duplex	Cable
100BaseTX	RJ-45	100/200 Mbps	100 m, Category 5 STP/UTP
10BaseT	RJ-45	10/20 Mbps	100 m, Category 3, 4, or 5 STP/UTP
100BaseFX Multi-mode	SC, ST, MT-RJ, VF-45, or LC	100/200 Mbps	Up to 2km, 50 or 62.5/125µm Multi-mode fiber cable
100BaseFX Single-mode	SC	100/200 Mbps	Up to 75km, 9 or 10/125µm Single-mode fiber cable

### Changing Power Adaptor Plug

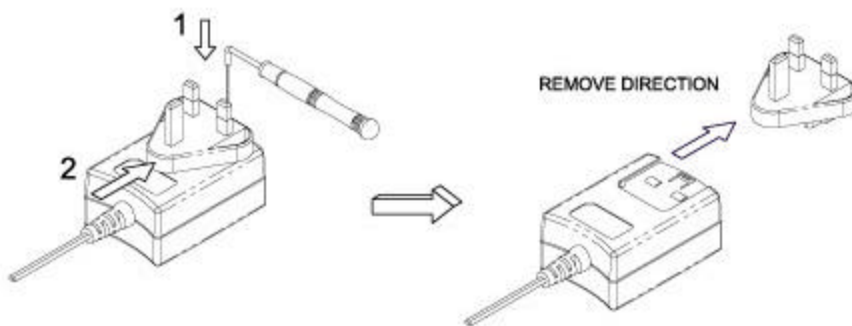
Depending on your power outlet, choose the adaptor plug that you need. Using the tool to install and remove the plug when you need it.



### INSTALL THE PLUG



### REMOVE THE PLUG



## Connecting to Power

External power:

Connect the supplied AC power cord to the receptacle on the back of the switch, and then plug it into a standard AC outlet with a voltage range from 100 to 260 VAC.

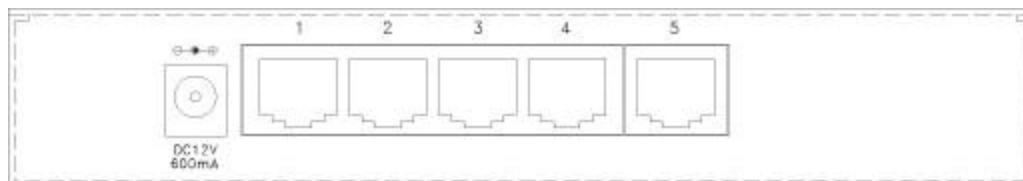


Figure 1: Rear view

### CUSTOMER SUPPORT INFORMATION

Order toll-free in the U.S. 24 hours, 7 A.M. Monday to midnight Friday: 877-877-BBOX  
 FREE technical support, 24 hours a day, 7 days a week: Call 724-746-5500 or fax 724-746-0746  
 Mail order: **Black Box Corporation**, 1000 Park Drive, Lawrence, PA 15055-1018  
 Web Site: [www.blackbox.com](http://www.blackbox.com) E-mail: [info@blackbox.com](mailto:info@blackbox.com)