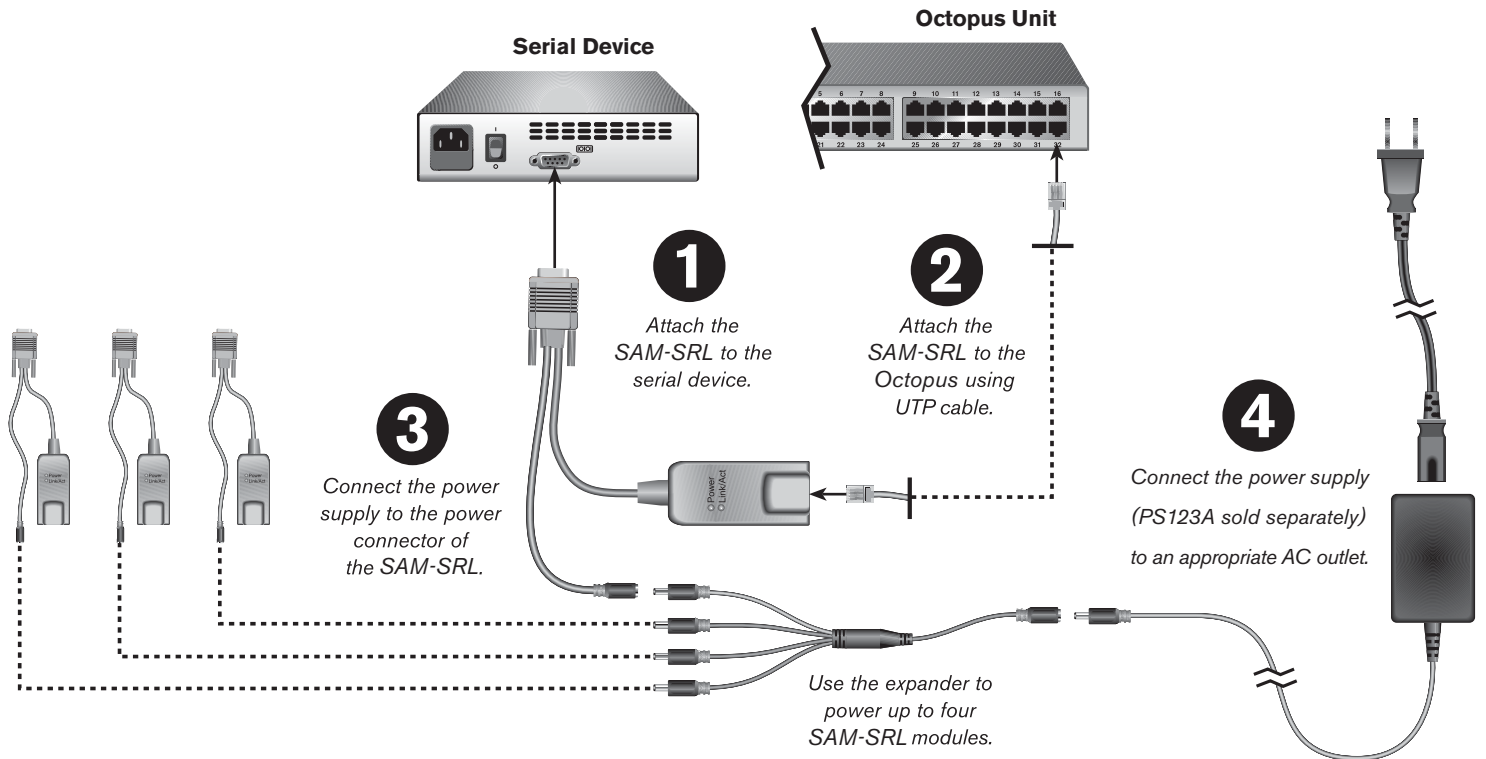


To connect the Server Access Module - Serial (SAM-SRL)



1 Connecting a SAM-SRL module to a serial device

Attach the SAM-SRL 9-pin serial connector to the serial port of the device to be connected to your Octopus appliance.

2 Connecting a SAM-SRL module to the Octopus appliance

Attach one end of the UTP cable to the RJ-45 connector on the SAM-SRL module.

Connect the other end of the UTP cable to the desired computer port on the back of your Octopus appliance.

3 Connecting a SAM-SRL module to the power supply

Connect the power supply to the power connector on your SAM-SRL. The cable expander can be used to power up to four SAM-SRL modules from a single power supply.

NOTE: Do not power more than four SAM-SRL modules from a single power supply.

Repeat steps 1-3 for all serial devices you wish to attach to the Octopus.

4 Powering up your system

Connect the SAM-SRL power supply to an appropriate AC wall outlet. Power up your serial device.



To configure and operate a SAM-SRL

Accessing the SAM-SRL

Connect a serial device, then select the device through OSD. Pressing **CTRL-F8** from the Terminal screen will activate the configuration menu.

NOTE: Pressing **Enter** returns users to the Terminal screen and saves all changes made to this menu.

Pressing **Escape** returns users to the Terminal screen without saving changes.

Configuring the SAM-SRL

NOTE: The SAM-SRL module is a DCE device and only supports VT100 terminal emulation.

Select the SAM-SRL you wish to configure and press **CTRL-F8** to activate the configuration menu. From the configuration menu you can:

- Modify communication parameters such as baud rate, parity and flow control. The default settings are 9600,8,N,1. The SAM-SRL supports 8 data bits and 1 stop bit only. Modify parameters such as screen size and color and interpretation of the **Enter** key.
- Customize activation key sequences for all modes of operation.
- Press the **Page Down** key to access the Macro Configuration screen. The SAM-SRL can be configured with up to 10 macros.

Creating a SAM-SRL macro

Select the SAM-SRL you wish to configure and press **CTRL-F8** to activate the configuration menu. When the configuration menu appears, press **Page Down** to view the Macro Configuration screen.

The Macro Configuration screen shows the 10 available macros and the associated key sequences, if any, for each. Using the **Arrow** keys, scroll to an available macro number and highlight the listed keystroke sequence.

Type the new macro keystroke sequence over the default. Any combination of **CTRL** or **ALT** and a single key may be used. When you have finished entering the keystroke sequence that will activate the new macro, press the **Down Arrow** key.

On the line below the macro keystroke sequence you just entered, type the keystroke sequence that you wish the macro to perform.

Repeat this sequence for each macro that you wish to configure. When finished, press **Enter** to return to the Terminal screen.

Agency Approvals/Product Certifications

FCC part 15 Class A, EN55022, EN55024

