

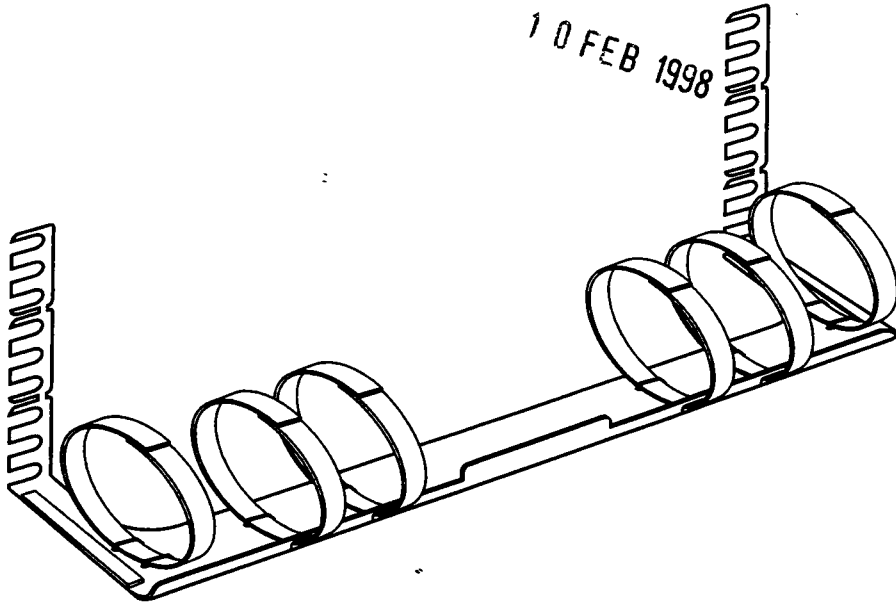


Black Box Corporation
The World's Source for Connectivity



DECEMBER 1997
JPM500A

Zero U-Height Cable Manager



**CUSTOMER
SUPPORT
INFORMATION**

To order or for technical support: Call (412) 746-5500 or fax (412) 746-0746
Technical support and fax orders 24 hours a day, 7 days a week
Phone orders 24 hours, 8 A.M. Monday to midnight Friday; Saturday 8 to 4 (Eastern)
Mail order: **Black Box Corporation**, 1000 Park Drive, Lawrence, PA 15055

1. Introduction

The Zero U-Height Cable Manager requires no rack space. It hangs in front of the patch panel or electronics and uses the same mounting screws. Cables are then supported with the Velcro® fastening system.

Since you don't have to move panels to add cable management, you can install the Cable Manager very quickly. To install it, you simply back off the screws on the existing patch panels or electronics and slide the unit in sideways under the screw heads, then re-tighten the screws. There is an adjustable mounting system—from 1½ to 5¼ inches. You decide on 1U, 2U, or 3U mounting and break off unnecessary tabs with pliers.

Moving panels, cables, and electronics is also very risky. The Zero U-Height Cable Manager eliminates that risk. Since there is no need to move any existing panels or electronics, you don't risk compromising terminations and timely troubleshooting.

1.1 Features

- Requires no rack space of its own (it shares the patch panel's rack space), so it frees up rack space for more panels or electronics.
- Eliminates the risk of moving panels—no need to disconnect existing terminations.
- Installs in a fraction of the time of other methods—no need to move existing panels.
- Uses existing screws on patch panels or electronics. Simply back off screws and slide the Cable Manager in, then re-tighten screws.
- Fits all equipment, since it uses standard rack hole pattern.
- Cables are supported out in front of the patch panel or electronics. This allows easy access.

- Minimum bend radius is maintained with Velcro® Fastening System. It allows easy reentry for adjusting cables. No over-cinching or deformed cables leading to signal loss or degradation.
- Can be mounted against another Cable Manager above or below. When mounted upside down, cables suspend on Velcro® Fastening System.
- Simple knock mounting off tab. Matches the hole pattern on racks. Enables custom installation from 24 to 96 ports managed when two Cable Managers are mounted back to back.

2. Installation

The Zero U-Height Cable Manager is easy to install. Follow these steps:

1. Determine where you want to locate the Cable Manager.
2. Partially unscrew the screws on the existing patch panels or electronics.
3. Slide the Cable Manager in sideways under the screw heads.
4. Re-tighten the screws.
5. Secure the cables with the Velcro® Fastening System.

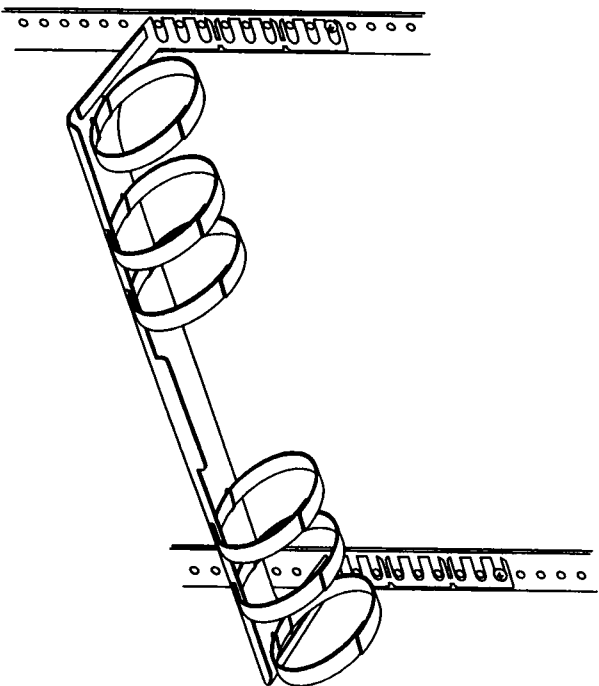


Figure 2-1. Typical Installation of the Cable Manager.