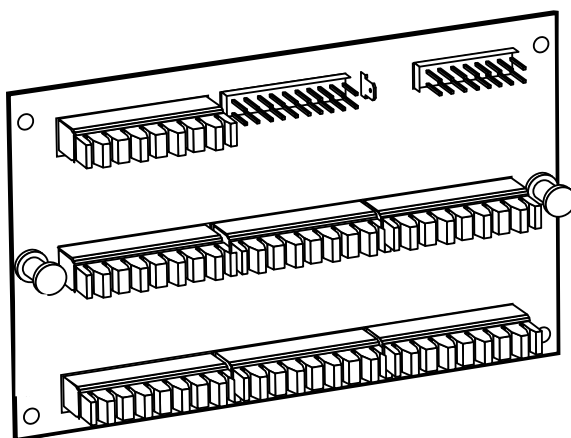




# Pure Home Networking 1 x 12-Port and 1 x 6-Port Basic Telephone Modules, T568A



## 1. Specifications

**Connectors:** JHN2022A: (1) 4-pair 110-type termination block (incoming), (12) 4-pair 110-type termination blocks (outgoing), (1) surge protector interface, (1) isolation jumper, (1) grounding point;  
JHN2023A: (1) 4-pair 110-type termination block (incoming), (6) 4-pair 110-type termination blocks (outgoing), (1) surge protector interface, (1) isolation jumper, (1) grounding point

**Size:** 2.7"H x 4.4"W (6.9 x 11.2 cm)

**Weight:** 0.3 lb. (0.1 kg)

## 2. Overview

The Pure Home Networking 1 x 6-Port and 1 x 12-Port Basic Telephone Modules, T568A install in the Pure Home Networking Boxes (JHN1014A, JHN1020A, JHN1030A, or JHN1040A).

The Pure Home Networking 1 x 6-Port Basic Telephone Module, T568A (JHN2023A) supports six T568A telephone connections from six four-pair phone lines via 110-type termination. See Figure 2-1.

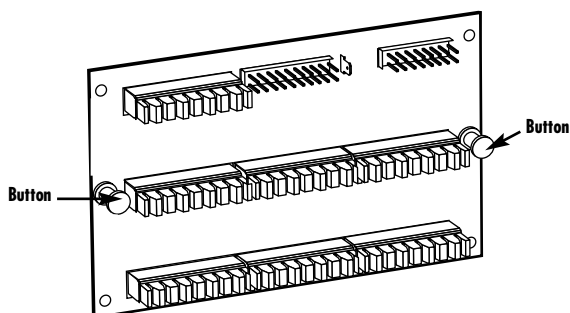


Figure 2-1. 1 x 6-Port Basic Telephone Module, T568A (JHN2023A).

The Pure Home Networking 1 x 12-Port Basic Telephone Module, T568A (JHN2022A) functions in the same way as the 6-port version, but it supports twelve T568A 110-type termination block telephone connections instead of six. See Figure 2-2.

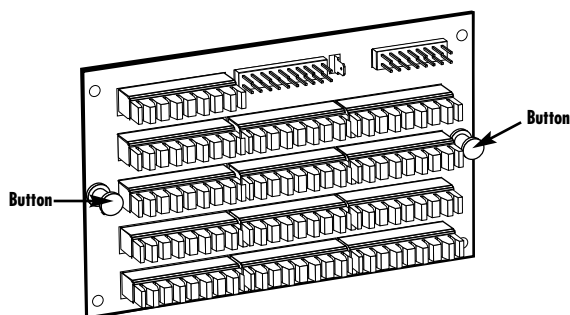


Figure 2-2. 1 x 12-Port Basic Telephone Module, T568A (JHN2022A).

## 3. Installation

### 3.1 Tools You'll Need

- Punchdown tool
- UTP stripper
- Wire cutter

### 3.2 Cable Handling Guidelines

- Do not route telephone cables through the same cable holes as the AC power cables.
- For safety, separate all telephone cables from parallel AC power lines by at least 6 inches (15.2 cm) whenever possible. Avoid kinking the cable.
- Do not attach cable tie-downs too tightly. The cable-fastening hardware should not compress the cable sheath.

- Do not bend the cable sharply. Place the cables properly in the cable management after passing them through the holes, since the edges of the hole can compress or damage the cable sheath.
- When installing an individual module in the Pure Home Networking Box, place it above or below the interfacing module (if possible). This will eliminate excessive cable crossing.
- For your safety, do not use this or any electrical product near water (unless it is specifically designed for wet areas). Do not install wiring during thunder and lightning storms.
- Use caution when handling or installing any computer, telephone, video, or electrical devices.

### 3.3 Attaching a Module to a Module Bracket

Using the MDU Module Bracket with (2) MDU and (1) CATV Module Openings, 1 Unit, Full Size (JHN2030A) is optional. To install it, snap the module into the bracket. Then press the pushbuttons on the bracket to lock the module in place. If you choose not to use the module bracket, go straight to **Section 3.4**.

### 3.4 Installing a Module in the Pure Home Networking Box

1. Determine the area for installation.
2. Position the metal tabs on the left side of the module at a 45-degree angle and slide them into the rail holes on the Pure Home Networking Box.
3. Insert the metal tabs on the right side of the module into the rail.
4. Press the button to fasten the module to the Pure Home Networking Box.

### 3.5 Removing a Module from the Pure Home Networking Box

1. Press the button and hold it in while pulling the module from the Pure Home Networking Box.
2. Swing the module out.

### 3.6 Connecting the Cables to the Telephone Modules

Connect the incoming telephone line from your service provider by terminating it to the designated 110-type termination block.

1. The punchdown block is labeled to indicate where you may terminate each line (up to four lines).
2. Using the appropriate cable stripping tool, strip approximately 2" (5.1 cm) from the cable jacket.

## PURE HOME NETWORKING 1 X 12-PORT AND 1 X 6-PORT BASIC TELEPHONE MODULES, T568A

3. Separate the pairs according to color (white-blue/blue, white-green/green, white-orange/orange, and white-brown/brown). See Figure 3-1.

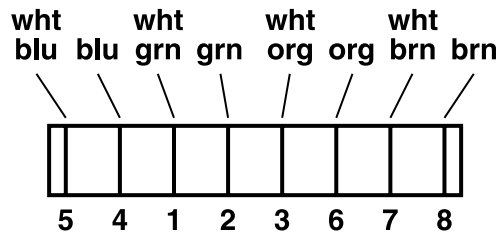


Figure 3-1. T568A wire colors.

4. To terminate the connection, place each wire into the insulation displacement contacts (IDC) by matching the wire color with the applicable colors on the terminal block (568A).

### NOTE

We recommend untwisting the pairs no more than 0.5" (1.3 cm) from the termination point.

5. If you are using a 110-type punchdown tool, position the tool over each wire with the cutting blade facing outside of the IDC and punch down firmly.
6. Repeat this process with each pair.

We recommend that you use a surge protector (call Tech Support for details) to protect your module and phone system from lightning strikes and line surges. Attach a grounding wire to the ground jumper on the module. Attach the other end of the wire directly to the Pure Home Networking Box.

Connect the telephone lines to each room by terminating that room's cable to the designated 110-type termination block.

1. Follow steps 1 through 6 listed at the beginning of **Section 3.6**.
2. Repeat these steps for each room in your installation.

Figure 3-2 shows a sample application.

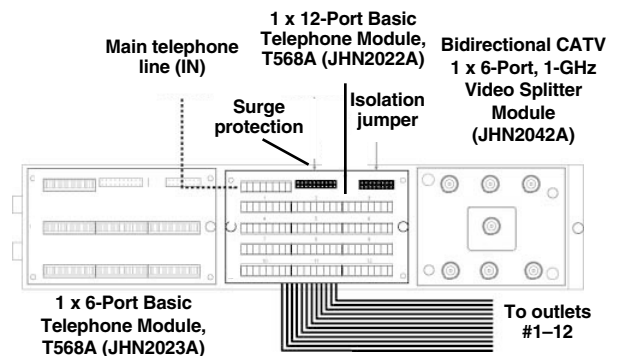


Figure 3-2. Typical setup.

*Any trademarks mentioned in this manual are acknowledged to be the property of the trademark owners.*



© Copyright 2005. Black Box Corporation. All rights reserved.

---

1000 Park Drive • Lawrence, PA 15055-1018 • 724-746-5500 • Fax 724-746-0746