

## Model IC820A

# Universal Converter

Covers All the Bases: RS-232 to 4-wire RS-422, 2-wire or 4-wire RS-485

### Highlights

- Selectable RS-485 2-wire half-duplex, or RS-485 4-wire full-duplex operation
- Selectable RS-422 operation - Transmit & Receive always enabled
- DB9 Female RS-232 Connection, Terminal Blocks for RS-422/RS-485
- Port power or External 12V DC power (jack)
- Automatic RS-485 Driver Control - works without special programming
  - Enables Transmitter from RS-232 TD signal
  - Enables Receiver when not Transmitting (half duplex)
- Built-in bridging switches for 2-wire or 4-wire modes – no external jumpers
- Operating Mode Switches: 4
  - Transmit mode, Receive Mode, and 2 switches for 4-Wire or 2-Wire
  - Receiver mode: Echo On (4-wire) or Echo Off (2-wire RS-485)
  - Two 4-wire/2-wire switches for full or half duplex (bridge) connections

### Description

The IC820A Universal Converter provides RS-232 to RS-422/RS-485 conversion using either port-power or an external power supply. Data is converted in both directions, RS-232 Transmit data is converted to balanced RS-422 or RS-485 Transmit, and Received RS-422/RS-485 signals are converted to RS-232. Unlike converters, which require programming hardware handshaking signals to control RS-485 or RS-422 operation, the IC820A provides automatic control. In RS-485 mode, the RS-485 driver is enabled by circuitry, which senses the RS-232 TD input. In half duplex RS-485 mode, the receiver is enabled when not transmitting. For full duplex operation, the receiver is set always enabled. In RS-422 mode, the transmitter and receiver are always enabled. The operating mode is set with 4 switches (Table 1). The RS-232 signal lines power the IC820A whether they are set high or low. If not enough power is available from the port, or no handshaking lines are available, a DC jack is provided to connect a 12VDC supply. The DB9 female connector for RS-232 is wired as DCE (like a modem).

### Power

No external power is required if two RS-232 output handshake lines (RTS & DTR) are available and the cable run is short. If the handshake lines are raised (enabled) and no termination is used, the power efficiency is greatly increased. Less than 3mA is required to operate the IC820A plus the load current. For applications that do not have handshake lines or require a large load current, power may be externally supplied with a +12VDC power supply with a 2.5mm plug (tip positive).

### RS-232 Operation

RS-232 connections require pins 2 (RD), 3 (TD), and 5 (Signal Ground). Pins 7 (RTS) and 8 (CTS) are tied together, and pins 6 (DSR), 1 (DCD), and 4 (DTR) are also tied together. Any incoming data lines in either the high or low state are used to port power the IC820A. The more handshake lines available, the more likely the unit can be port powered. Table 2 shows the RS-232 pinout.

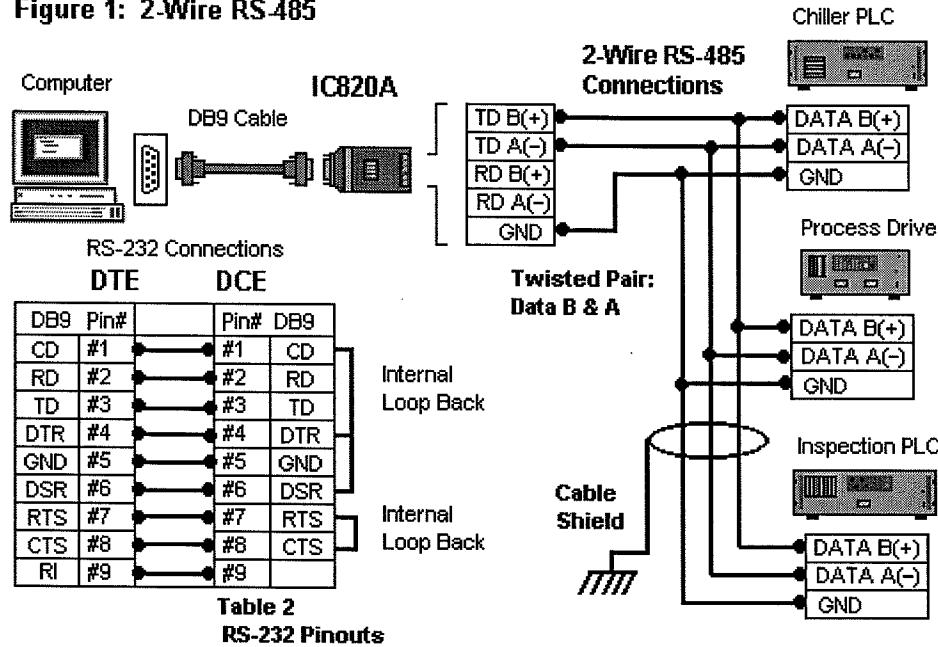
Refer to matching Figures 1 to 4 for each mode for typical connections. See Table 1, and set Switches 1-4 to match the Operating Mode. See Troubleshooting section for Loopback Test Mode.

**Table 1 – Switch Settings for Operating Mode**

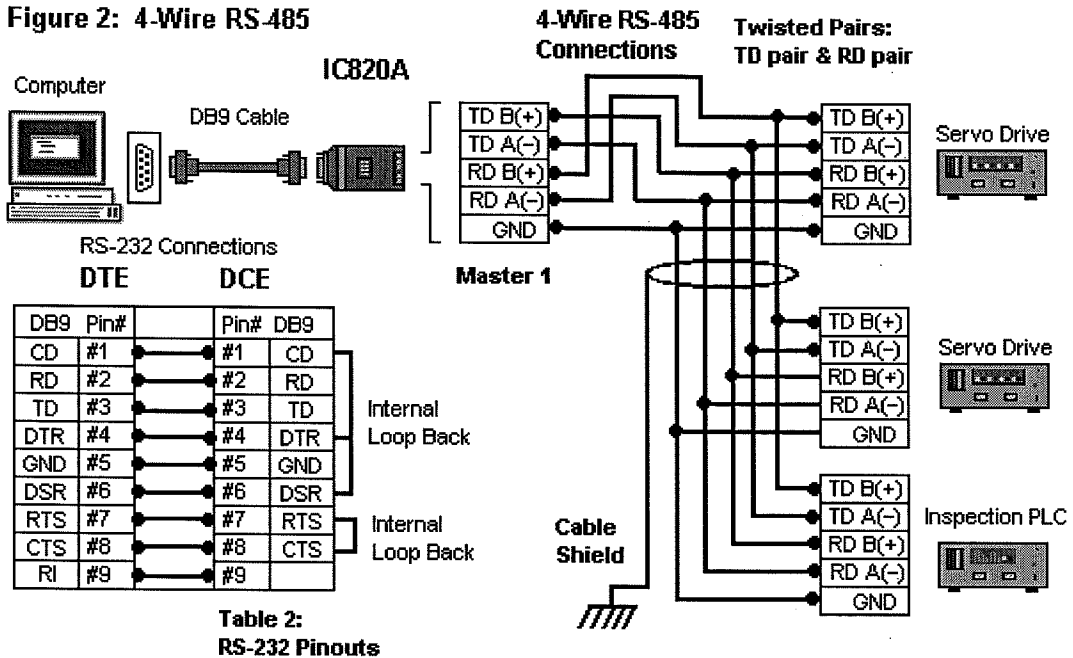
Switches	Switch 1 (Tx)	Switch 2 (Rx)	Switch 3 (bridge)	Switch 4 (bridge)
<b>Operating Mode</b>				
RS-485 2-Wire Mode (half duplex)	RS-485	Echo Off	2-Wire	2-Wire
RS-485 4-Wire Mode (full duplex)	RS-485	Echo On	4-Wire	4-Wire
RS-422 4-Wire Mode (full duplex)	RS-422	Echo On	4-Wire	4-Wire
Loopback Test Mode*	As Desired	Echo On	2-Wire	2-Wire

\* Used with HyperTerminal or another Terminal program to confirm operation of data through converter

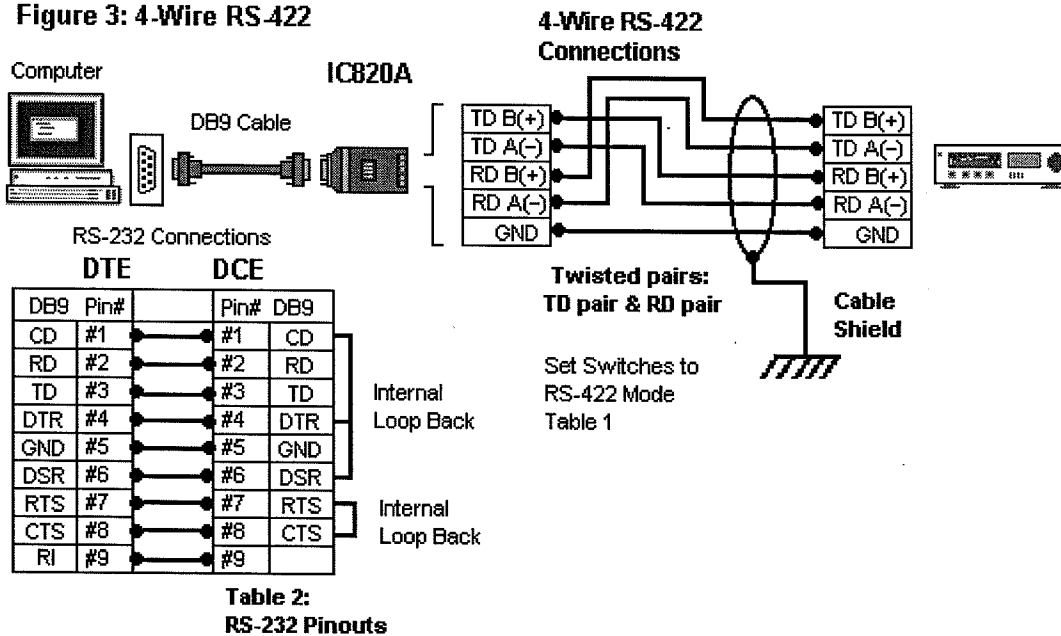
**Figure 1: 2-Wire RS-485**



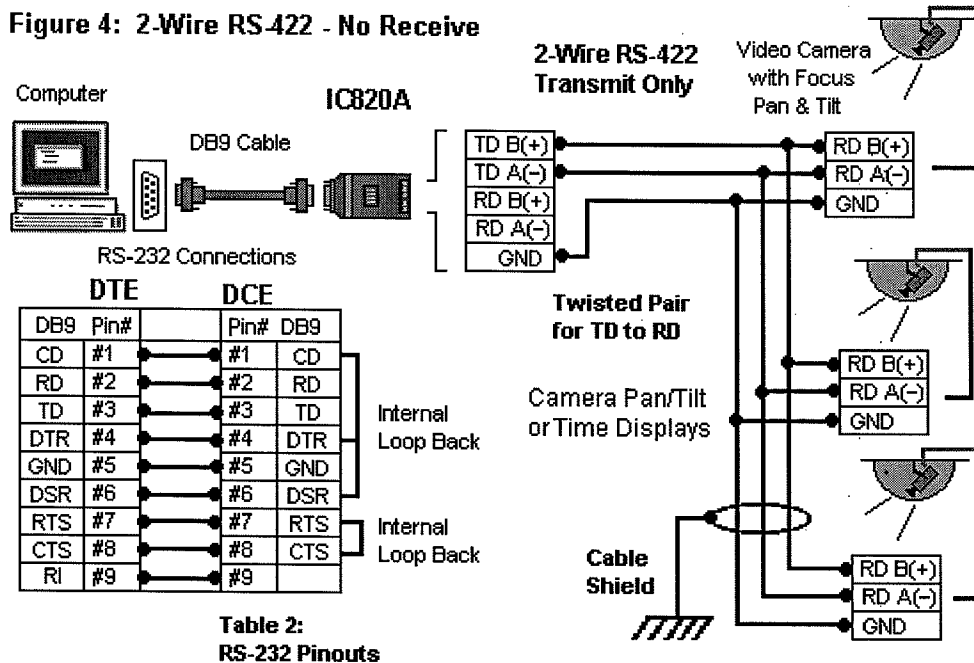
**Figure 2: 4-Wire RS-485**



**Figure 3: 4-Wire RS-422**



**Figure 4: 2-Wire RS-422 - No Receive**



**RS-422/485 Operations**

The RS-422 standard was designed to extend RS-232 connections, the RS-485 standard is an enhanced version which allows multiple drivers/receivers to alternately share one pair of wires for transmit and receive, or two pairs for full duplex operation. With a RS-485 device, the transmitter/driver is only active while transmitting, but when not transmitting, is set to a high impedance state, which allows another transmitter to send data on the same wire pair. In the IC820A, the driver is controlled by circuitry, which senses the RS-232 TD input, and automatically enables transmit. In half duplex operation, the receiver is enabled when not transmitting (Echo Off).

The IC820A does not require any handshaking lines to control the driver in RS-422 or RS-485 mode. When Switch 1 set to RS-422, the driver is always enabled. When switch 1 is in the RS-485 position, the RS-485 driver is automatically enabled during each Space state by the RS-232 data. During the Mark or idle state, the RS-485 driver is disabled and the data lines are held in the Mark state by Bias provided by the 4.7K Ohm pull-up and pull-down resistors. The value of these resistors may need to be changed to a different value when termination is used in order to maintain the proper DC bias during the idle state.

### RS-485 2-Wire Half Duplex

This communications mode is used to connect several RS-485 devices to the same network with a minimum number of wires when only one unit talks at a time. All units are normally in Receive mode, listening for data. When data is requested, the addressed device waits (1 delay time) then transmits, afterwards, goes back to receive. To use this mode set Switch 1: RS-485, Switch 2: Echo Off, and Switches 3 and 4 to 2-Wire. Refer to Figure 1 for connections.

### RS-486 4-Wire Full Duplex

This mode is used for 4-Wire Master/Slave. Devices can be polled and respond faster, unlike half duplex mode, no turn-around time delay is needed between requests and responses. The RS-485 driver works the same as in half duplex but the receiver is always enabled. This can allow devices to receive information even while they are responding to a request. To use RS-485 4-Wire mode, set Switch 1: RS-485, Switch 2: Echo On, and Switches 3 and 4 to 4-Wire. When the IC820A is used as a Master in a single master system, Switch 1 can be set RS-422 since it is the only transmitter. When used for a Slave device, the RS-232 device must provide addressability, and RS-485 mode should be selected. As in 2-Wire operation RS-485 Biasing is provided on Receive, and should be provided on the transmit pair by the End-of-Line slave device, RS-422 Transmit mode requires no bias on transmit. Refer to Figure 2 for Connections

### RS-422 4-Wire Full-Duplex or 2-Wire Simplex

This communications mode is typically used for point-to-point communications over long distances with better noise immunity than RS-232. Another common use is as a single master in a master/slave configuration, where the slave devices only receive, but don't transmit back. In RS-422 the transmitter and receiver are always enabled to allow full-duplex communications. Connections require one twisted pair for Transmit, another twisted pair for Receive and a ground reference wire for a total of 5 lines to operate properly. To set this mode, Table 1: Switch 1: RS-422, Switch 2: Echo On, and Switches 3 and 4: 4-wire.

### Specifications

- Signals:
  - Transmit (TD) and Receive (RD)
  - RTS and CTS are looped back, DTR., DSR & CD are looped back
- Data Rates:
  - Up to 115.2 kbps
- Distance:
  - Externally powered transmits up to 4000 ft (1200 m) at 115.2 kbps (may be less with port powering)
- Dimensions:
  - 3.6 x 1.7 x 0.9 in (9.0 x 4.3 x 2.3 cm)
- Temperature:
  - 0-70°C

### Troubleshooting Operation

If an RS-485 or RS-422 device doesn't respond to data requests, try swapping the polarity of the data lines. Some devices are marked opposite the RS-485 or RS-422 Standard.. 4-Wire devices must swap polarity of each pair. Operation of the converter can be checked with HyperTerminal. Set Converter to Loopback Test mode. Open HyperTerminal using the COM port connected to, set baud rate, set Flow Control to None, type characters. Each character should show as typed, two if local echo is on. For more info, visit our website, Technical Library, FAQ on Troubleshooting and Checking.

<b>DECLARATION OF CONFORMITY</b>	
Model Number	IC820A
Description:	RS-422/485 Converter
Type:	Light industrial ITE equipment
Application of Council Directive:	89/336/EEC
Standards:	EN 55022 EN 61000-6-1 EN 61000 (-4-2, -4-3, -4-4, -4-5, -4-6, -4-8, -4-11)

