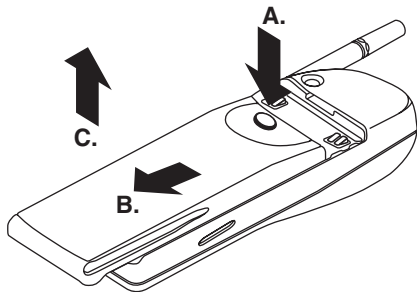


Nokia 6100 Series

Changing Covers

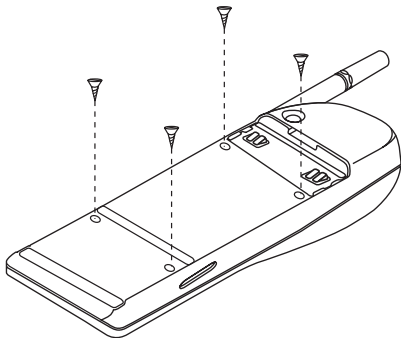
1. Removing the battery.

- Press and hold the button at the top of the battery.
- Slide the battery toward the bottom of the phone.
- Lift the battery off the phone.



2. Removing the cover.

- a. Using the included torx screwdriver, remove the four screws on the back panel (shown below).
- b. Separate the cover from the phone.
- c. Remove the rubber keypads from the cover.



3. Installing the new cover.

- a. Place the new rubber keypads into the new cover (shown below). Also apply the rubber on/off power button to the inside of the new cover.
- b. Place the faceplate back into position on the phone.
- c. Install the four screws into the back plate to secure the cover.
- d. Install the battery.

