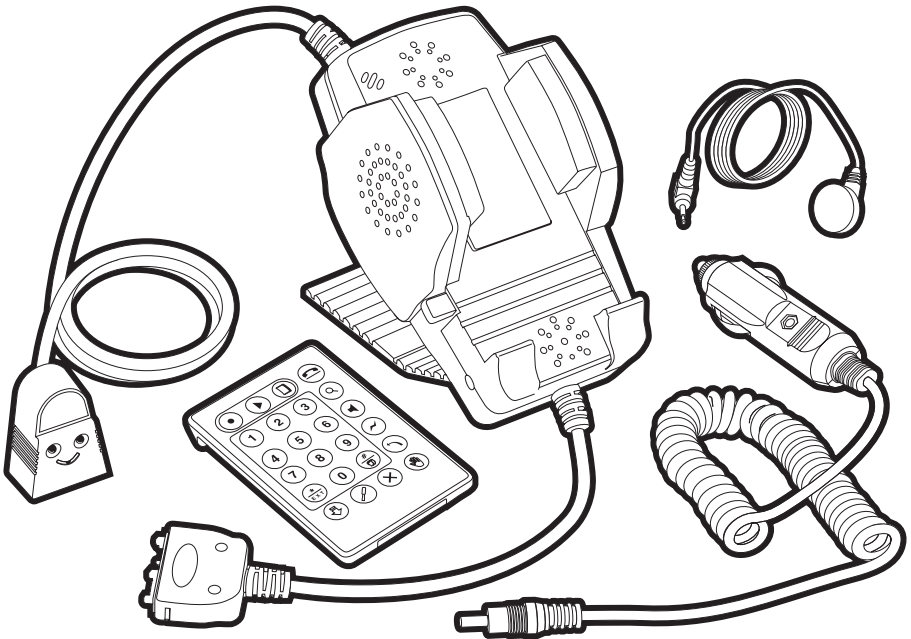


Voice Magic Plus



**CUSTOMER
SUPPORT
INFORMATION**

Order toll-free in the U.S.: Call **877-877-BBOX** (outside U.S. call **724-746-5500**)
FREE technical support 24 hours a day, 7 days a week: Call **724-746-5500** or fax **724-746-0746**
Mailing address: **Black Box Corporation**, 1000 Park Drive, Lawrence, PA 15055-1018
Web site: www.blackbox.com • E-mail: info@blackbox.com

**FEDERAL COMMUNICATIONS COMMISSION
AND
INDUSTRY CANADA
RADIO FREQUENCY INTERFERENCE STATEMENTS**

This equipment generates, uses, and can radiate radio frequency energy and if not installed and used properly, that is, in strict accordance with the manufacturer's instructions, may cause interference to radio communication. It has been tested and found to comply with the limits for a Class A computing device in accordance with the specifications in Subpart J of Part 15 of FCC rules, which are designed to provide reasonable protection against such interference when the equipment is operated in a commercial environment. Operation of this equipment in a residential area is likely to cause interference, in which case the user at his own expense will be required to take whatever measures may be necessary to correct the interference.

Changes or modifications not expressly approved by the party responsible for compliance could void the user's authority to operate the equipment.

This digital apparatus does not exceed the Class A limits for radio noise emission from digital apparatus set out in the Radio Interference Regulation of Industry Canada.

Le présent appareil numérique n'émet pas de bruits radioélectriques dépassant les limites applicables aux appareils numériques de la classe A prescrites dans le Règlement sur le brouillage radioélectrique publié par Industrie Canada.

**NORMAS OFICIALES MEXICANAS (NOM)
ELECTRICAL SAFETY STATEMENT**

INSTRUCCIONES DE SEGURIDAD

1. Todas las instrucciones de seguridad y operación deberán ser leídas antes de que el aparato eléctrico sea operado.
2. Las instrucciones de seguridad y operación deberán ser guardadas para referencia futura.
3. Todas las advertencias en el aparato eléctrico y en sus instrucciones de operación deben ser respetadas.
4. Todas las instrucciones de operación y uso deben ser seguidas.
5. El aparato eléctrico no deberá ser usado cerca del agua—por ejemplo, cerca de la tina de baño, lavabo, sótano mojado o cerca de una alberca, etc..
6. El aparato eléctrico debe ser usado únicamente con carritos o pedestales que sean recomendados por el fabricante.
7. El aparato eléctrico debe ser montado a la pared o al techo sólo como sea recomendado por el fabricante.
8. Servicio—El usuario no debe intentar dar servicio al equipo eléctrico más allá a lo descrito en las instrucciones de operación. Todo otro servicio deberá ser referido a personal de servicio calificado.
9. El aparato eléctrico debe ser situado de tal manera que su posición no interfiera su uso. La colocación del aparato eléctrico sobre una cama, sofá, alfombra o superficie similar puede bloquea la ventilación, no se debe colocar en libreros o gabinetes que impidan el flujo de aire por los orificios de ventilación.
10. El equipo eléctrico deber ser situado fuera del alcance de fuentes de calor como radiadores, registros de calor, estufas u otros aparatos (incluyendo amplificadores) que producen calor.
11. El aparato eléctrico deberá ser conectado a una fuente de poder sólo del tipo descrito en el instructivo de operación, o como se indique en el aparato.

12. Precaución debe ser tomada de tal manera que la tierra física y la polarización del equipo no sea eliminada.
13. Los cables de la fuente de poder deben ser guiados de tal manera que no sean pisados ni pellizcados por objetos colocados sobre o contra ellos, poniendo particular atención a los contactos y receptáculos donde salen del aparato.
14. El equipo eléctrico debe ser limpiado únicamente de acuerdo a las recomendaciones del fabricante.
15. En caso de existir, una antena externa deberá ser localizada lejos de las líneas de energía.
16. El cable de corriente deberá ser desconectado del cuando el equipo no sea usado por un largo periodo de tiempo.
17. Cuidado debe ser tomado de tal manera que objetos líquidos no sean derramados sobre la cubierta u orificios de ventilación.
18. Servicio por personal calificado deberá ser provisto cuando:
 - A: El cable de poder o el contacto ha sido dañado; u
 - B: Objetos han caído o líquido ha sido derramado dentro del aparato; o
 - C: El aparato ha sido expuesto a la lluvia; o
 - D: El aparato parece no operar normalmente o muestra un cambio en su desempeño; o
 - E: El aparato ha sido tirado o su cubierta ha sido dañada.

TRADEMARKS USED IN THIS MANUAL

Any trademarks mentioned in this manual are acknowledged to be the property of the trademark owners.

Contents

Chapter	Page
1. Specifications	6
2. Introduction	7
2.1 Description	7
2.2 Features	8
3. Installation	9
3.1 Setup Suggestions	9
3.2 Initial Setup	9
3.3 Setting the User	10
3.4 Adding Names and Phone Numbers	11
3.5 Modifying the Phone Records	11
3.6 Deleting a Phone Record	12
4. Using the Voice Magic Plus	13
4.1 Making a Call with Voice-Recognition Dialing	13
4.2 Search Dialing	13
4.3 Manual Dialing	13
4.4 Automatically Receiving Incoming Calls	14
4.5 Recording a Memo	14
4.6 Answering Machine	14
4.7 Listening to and Deleting Your Memos and Phone Messages	15
4.8 Delete All Data for User 1 or 2	15
4.9 Charging the Phone Battery	16
Appendix: Quick Reference	17
A.1 Initial Setup	17
A.2 Setting the User	17
A.3 Adding Names and Phone Numbers (Using Your Remote Control Unit)	17
A.4 Making a Call with Voice-Recognition Dialing	18
A.5 Automatically Receiving Incoming Calls	18
A.6 Charging the Phone Battery	19

1. Specifications

Indicators: (1) red Charging LED; (1) yellow Message LED

Connectors: Nokia 5100/6100 power connector, cigarette lighter plug, 3.5-mm power adapter connector

Power: 12 VDC from the power outlet in the vehicle

Size: 2.5"H x 3"W x 5.25"D (6.4 x 7.6 x 13.3 cm)

Weight: 3 oz. (85 g)

2. Introduction

2.1 Description

The Voice Magic Plus features a voice and remote dialing system, an automatic receiving feature, a digital answering machine, a digital memo recorder, a cellular phone battery charger, a cellular phone battery saver, and a cellular phone holder. Use the Voice Magic Plus in your vehicle for hands-free, eyes-free cellular phone use.

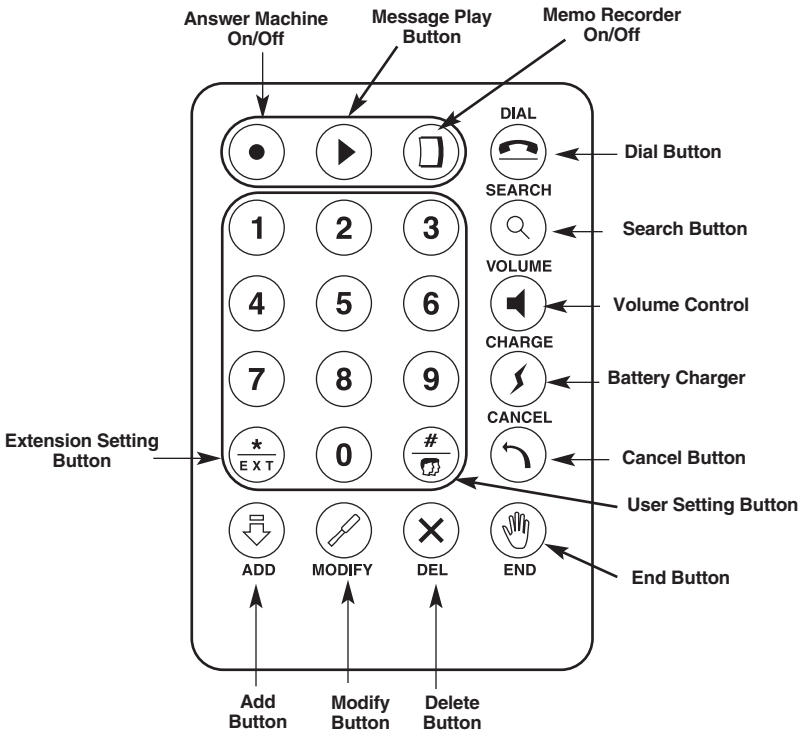


Figure 2-1. Remote control function buttons.

2.2 Features

- Voice-recognition dialing, a fully automatic call-answering system, built-in high-quality microphone and speaker. This system frees the driver's hands and eyes to more safely operate his vehicle and provide clear, powerful sound.
- Pocket-sized remote control unit is easy to carry and operate.
- Built-in digital answering machine allows call screening and reduces lost calls.
- Memo voice recorder eliminates the need for writing notes in a moving car, making driving time more productive by letting you record valuable ideas that you might otherwise forget.
- Vehicle's cigarette lighter powers the Voice Magic Plus and phone, and keeps the phone charged and ready to operate at peak capacity when needed.

3. Installation

3.1 Setup Suggestions

- Prepare a written list of the names and phone numbers you want to use for voice-dial contacts before you start the setup procedure.
- When speaking into the Voice Magic Plus, do so in a relaxed tone of voice, at your normal pace and loudness.
- To be sure that the system accurately recognizes voice commands, do not answer voice prompts immediately. Instead, wait at least three seconds before responding verbally to a Voice Magic Plus voice prompt.
- While connected to the Voice Magic Plus, your cellular phone's keypad is inactive. Therefore, all keypad entry instructions refer to the keypad on the Voice Magic Plus remote control, not the cellular phone.

3.2 Initial Setup

1. Connect the Voice Magic Plus's phone cable to your cellular phone, making sure it fits into place for proper electrical contact and strain relief.
2. Connect the power cable to the Voice Magic Plus. Plug the other end into the cigarette lighter receptacle.
3. To secure the microphone/infrared receiver in front of you on the dashboard, use adhesive tape. (See Figure 3-1 on the next page.)
4. Press the power switch on your cellular phone to turn it on. Some vehicles won't send power to the cigarette-lighter assembly unless the car is running or the key is turned to an accessory-mode position.

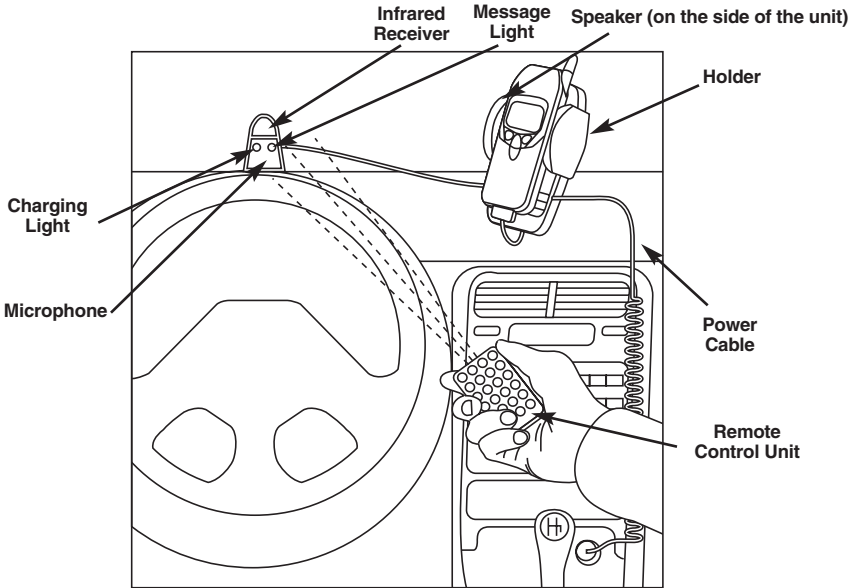


Figure 3-1. Installation.

3.3 Setting the User

The Voice Magic Plus accommodates two users, so each memory bank can be programmed, modified, or erased without affecting the other. By pressing the setting button, you can switch users.

1. When the Voice Magic Plus's power cable is plugged into the cigarette lighter and the system is established, you will hear, "Welcome to the Voice Magic Plus system. Tell me your name?"
2. Wait three seconds, then say your name (for example, "David Lee").
3. You will then hear the confirmation prompt, "Confirm again, David Lee."
4. Wait three seconds and say your name again.
5. The user setting is now complete. You should hear the prompt, "The user is David Lee."
6. To set up another user, press the User Setting button once. You will hear, "The phone book is empty." Then follow the procedure above.

3.4 Adding Names and Phone Numbers

1. Press the Add button.
2. You will hear the prompt, “Enter the phone record. Tell me the name.”
3. Wait three seconds, then say the name of the first phone contact on your list (for example, John Smith).
4. You will hear the confirmation prompt, “Confirm again, John Smith.”
5. Wait three seconds, then say the name again to confirm it.
6. You will hear the prompt, “Enter the phone number and press the # key after you finish.”
7. Using the keypad on the remote control unit, enter the phone number for John Smith. If an extension is required, press the * button and enter the extension number.
8. After entering the phone number, press the # key.
9. Repeat procedures 1–8 for each phone contact you want to add.
10. When you are finished, exit this mode by pressing the End button.

NOTE

Your data will be held in non-volatile memory indefinitely until you delete it. The Voice Music Plus requires no battery backup of any kind.

3.5 Modifying the Phone Records

1. Press the Modify button.
2. You will hear the prompt, “Delete the phone record. Tell me the name.”
3. Wait three seconds, then say the name of the phone contact (for example, John Smith).
4. You will hear the prompt, “John Smith. xxx-xxx-xxxx. Enter the phone number, then press the # key after you finish.”
5. Enter the new phone number, followed by the # key.
6. Press the End button to exit.

3.6 Deleting a Phone Record

1. Press the Delete (“Del”) button.
2. You will hear the prompt, “Delete the phone record. Tell me the name.”
3. Wait three seconds, then say the name of the phone contact (for example, John Smith).
4. You will hear the prompt, “John Smith. xxx-xxx-xxxx. Press the Delete button if you want to delete.”
5. Press the Delete (“Del”) button.
6. Press the End button to exit.

4. Using the Voice Magic Plus

4.1 Making a Call with Voice-Recognition Dialing

1. Press the Dial button.
2. You will hear the prompt, “Who would you like to call?”
3. Wait three seconds, then say the name of the phone contact (for example, John Smith).
4. You will hear the prompt, “John Smith. Dialing, please hold.”
5. To interrupt and cancel dialing, press Dial again.

4.2 Search Dialing

1. Press the Search button.
2. You will hear all of your saved phone contacts listed by name (for example, John Smith, Mary Miller, Larry Ryan...).
3. Press the Search button again if you need to interrupt and cancel your session.
4. Press the Dial button as soon as you hear the name of the contact you want to call. You will hear the prompt (“Dialing, please hold.”) as your call is connected.
5. Press the Dial button again if you need to interrupt and cancel dialing.

4.3 Manual Dialing

1. Enter the phone number you want to call, just as you would dial a cellular phone. If an extension is required, press the * button and enter the number.
2. Press the Dial button to initiate the call.
3. To end the manually dialed call, press the Dial button again.

4.4 Automatically Receiving Incoming Calls

1. An incoming call will ring your cellular phone in the normal manner.
2. You will hear the prompt, “David Lee (User’s Name), you have a call.”
3. You will be connected automatically. Begin your conversation after you answer the prompt.
4. To hang up, press Dial. If your caller hangs up first, the Voice Magic Plus hangs up automatically.

NOTE

Make sure your cellular phone automatic answer feature is in the “off” position (this is the factory default).

4.5 Recording a Memo

1. Press the “Memo” button. (This feature is disabled while a call is in progress.)
2. You will hear the prompt, “Please leave the message after the beep.”
3. Begin speaking to record your memo. (For example, “Jennifer’s phone number is 555-7390.”)
4. Press the End button to stop recording.
5. You will hear the prompt, “Process is completed.”

4.6 Answering Machine

1. Press the “Answer” button.
2. You will hear the prompt, “Answering machine is on.”
3. When someone calls you, the cellular phone rings in the normal manner.
4. The Voice Magic Plus picks up the incoming call. The caller hears the prompt, “David Lee (User’s Name) is not available right now. Please leave your message after the beep.”
5. The caller may leave a message, the maximum length of which is determined by available memory. The combined recording time for the Memo and Answering Machine is 20 minutes.
6. Press the Dial button if you change your mind and take the incoming call.

7. Press the “Answer” button again to turn off the answering machine.

NOTE

The Voice Magic Plus should always be set at “Answering machine is off” position for normal operation.

4.7 Listening to and Deleting Your Memos and Phone Messages

1. If the yellow Message light on the microphone/infrared receiver turns on, it indicates that you have received messages and/or recorded memos.
2. Press the “Play” button to hear all your messages and memos played back in the same order that they were recorded.
3. Press the End button to stop and reset playback sequence to the first message.
4. During playback, you can delete the individual message and memo by pressing the Delete button until you hear the prompt, “Processing is completed.”

4.8 Delete All Data for User 1 or 2

1. Press the Cancel button and hold it down until you hear the prompt, “Are you sure about deleting all the information? Press the DELETE button if you want to delete.”
2. Press the Delete (“Del”) button to erase all the data in that user’s memory bank, including the user name and voice profile, all phone numbers/contact names, and all messages and memos. That memory bank will be completely cleared for a new user.

4.9 Charging the Phone Battery

1. Press the Charge button to start the charging process, and the green light on the microphone/infrared receiver will turn on. The unit will charge the battery until it is full.
2. Press the Charge button again to stop the charging process. The green light on the microphone/infrared receiver will turn off.

NOTE

During phone conversations, the battery charger automatically cuts out of the circuit in order to eliminate the possibility of power fluctuations or electrical noise.

Appendix: Quick Reference

A.1 Initial Setup

1. Connect the Voice Magic Plus's phone cable to your cellular phone.
2. Connect the power cable to the Voice Magic Plus and plug the other end of the cable into the vehicle's cigarette lighter receptacle.
3. Use adhesive tape to secure the microphone/infrared receiver in front of you on the dashboard.
4. Press the Power switch on your cellular phone to turn it on.

A.2 Setting the User

1. When the Voice Magic Plus's power cable is plugged into the cigarette lighter, you will hear the prompt, "Welcome to the Voice Dialing System. Tell me your name?"
2. Wait three seconds, then say your name (for example, "David Lee").
3. You will then hear the confirmation prompt, "Confirm again, David Lee."
4. Wait three seconds, then say your name again.
5. The user setting is now complete. You should hear the prompt, "The user is David Lee."

A.3 Adding Names and Phone Numbers (Using Your Remote Control Unit)

NOTE

Prepare a list of the names and phone numbers you want to program before beginning this process.

1. Press the Add button.
2. You will hear the prompt, "Enter the phone record. Tell me the name."
3. Wait three seconds, then say the name of the first phone contact on your list (for example, "John Smith").
4. You will hear the confirmation prompt, "Confirm again, John Smith."

5. Wait three seconds, then say the name again to confirm it.
6. You will hear the prompt, “Enter the phone number and press the # key after you finish.”
7. Using the keypad on the Voice Magic Plus remote unit, enter the phone number for John Smith. If an extension is required, press the * button and enter the extension number.
8. After you finish entering the phone number, press the # key.
9. Repeat procedures 1 through 8 for each phone contact you want to add.
10. When you are finished, press the End button to exit this mode.

A.4 Making a Call with Voice Recognition Dialing

1. Press the Dial button.
2. You will hear the prompt, “Who would you like to call?”
3. Wait three seconds, then say the name of the phone contact (for example, “John Smith”).
4. You will hear the prompt, “John Smith. Dialing, please hold.”
5. The Voice Magic Plus will dial and connect the phone for you automatically.
6. To interrupt and cancel dialing, press Dial again.

A.5 Automatically Receiving Incoming Calls

1. All incoming calls will ring your cellular phone in the normal manner.
2. You will hear the prompt, “David Lee (User’s Name), you have a call.”
3. You will be connected automatically. Begin your conversation after you hear the prompt.
4. To hang up, press Dial. If your caller hangs up first, the Voice Magic Plus hangs up automatically.

NOTE

Make sure your cellular phone automatic-answer feature is in the “off” position.

A.6 Charging the Phone Battery

Press the “Charge” button to start or stop the charging process.

NOTE

For recording a memo, answering machine and manual dialing, etc., please refer to the rest of this manual.



© Copyright 2001. Black Box Corporation. All rights reserved.

1000 Park Drive • Lawrence, PA 15055-1018 • 724-746-5500 • Fax 724-746-0746