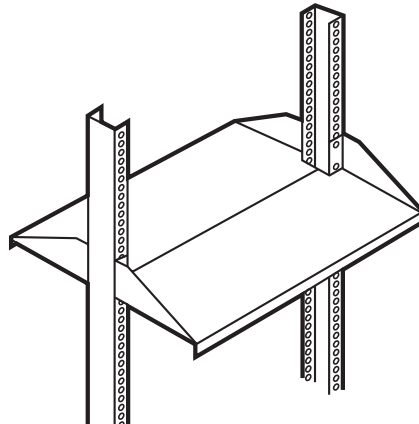




Rackmount Server Shelves



What's Included:

- (1) Shelf (either the 19" shelf with a 17.6"W inside or a 23" shelf with a 21.6"W inside)
- (8) Cuphead screws #10-32 x $\frac{3}{8}$ "
- (8) Cuphead screws #12-24 x $\frac{3}{8}$ "

What You'll Need to Supply:

- A Phillips screwdriver

Installation Instructions:

The Rackmount Server Shelves are packed in pairs and designed for tower or desktop units. They should be mounted back to back. They can also be mounted as single shelves in any EIA spacing. To install the shelf in a frame:

1. Select the mounting location for the Rackmount Server Shelf. Carefully position the shelf so that mounting holes in the shelf flanges align with the tapped holes in networking frames vertical channels. Note that the tapped holes are per EIA universal hole spacing.
2. Attach the shelf to the vertical channels by inserting cuphead screws through the mounting flanges in the front of the shelf and the tapped holes in the vertical channels. (Note: Use either the 10-32 or the 12-24 cuphead screws to match the threads in the uprights.)
3. Tighten the screws to secure the shelf.

CUSTOMER SUPPORT INFORMATION

Order **toll-free** in the U.S. 24 hours, 7 A.M. Monday to midnight Friday: **877-877-BBOX**
FREE technical support, 24 hours a day, 7 days a week: Call **724-746-5500** or fax **724-746-0746**
Mail order: **Black Box Corporation**, 1000 Park Drive, Lawrence, PA 15055-1018
Web site: www.blackbox.com • E-mail: info@blackbox.com



VPN: ISBXCPU

© Copyright 1999. Black Box Corporation. All rights reserved.

1000 Park Drive • Lawrence, PA 15055-1018 • 724-746-5500 • Fax 724-746-0746