

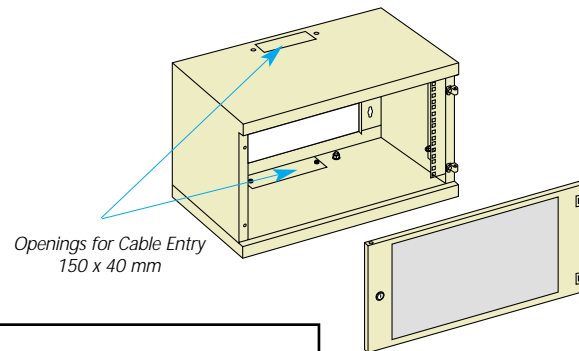
# 19" Wall Mounting Racks Easy



### Key Features

- ▶ Load capacity up to 20 kg.
- ▶ Fixed width of 53 cm, two depths: 30cm, 6U high or 40 cm, in heights of 6, 10 and 15U.
- ▶ RAL 7035 powder coated finish.
- ▶ Large opening in the back.
- ▶ Tinted glass door with key lock, 180° opening angle (reversible).
- ▶ Cable entries with removable blank panels on the top and bottom.
- ▶ One pair of 19" adjustable uprights.
- ▶ Includes grounding kit and 16 mounting kits.

These 19" Wall Mounting Racks Easy offer a solution to those requirements where you just need a place for a few active devices and some patch panels. Just mount them on the wall inside our Easy racks and the job is done — quickly and neatly — at a very affordable price!



### Ordering information

ITEM	CODE
19" Wall Mounting Racks Easy	
6U x 53W x 30D cm	.RMEZ0630
6U x 53W x 40D cm	.RMEZ0640
10U x 53W x 40D cm	.RMEZ1040
15U x 53W x 40D cm	.RMEZ1540

## Black Box Network Services - The world's largest network services company

We are, with 25 years of experience, the world leader in network infrastructure services.

**On the Phone** — no charge, answer calls in less than 20 seconds, find the right product with our technical experts.

**On-site** — superior design and engineering, Certified installations, end-to-end service.

**On-line** — receive technical knowledge on-line, including technology overviews, Black Box Explains and the Knowledge Box.

**Most comprehensive TECHNICAL SUPPORT** — our best Product! Free hotline TECH SUPPORT!

**The world's best customer service** — Custom design services and products, the best warranties, money-saving discount programs.

**BLACK BOX exclusives** — Certification Plus. Guaranteed-for-life products and services.