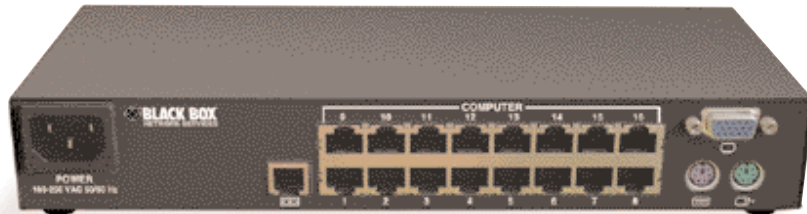




BLACK BOX[®]

NETWORK SERVICES

ServSwitch Panther



Key Features

- ▶ Hot-Swap - disconnect and reconnect computers without rebooting
- ▶ Scan-mode operation with variable time interval
- ▶ 1U Rack mount kit (included) for proper installation
- ▶ On Screen Display (OSD) or front panel push button operation
- ▶ Cascadable to up to 256 computers for future expansion
- ▶ Computers can be placed up to 10m from the Panther via Cat5 (or higher) cable
- ▶ Supports PS/2 and USB computers/servers
- ▶ Flash-Upgrade Option protects investments

System Description

The new ServSwitch™ Panther from Black Box represents our next-generation of rackmountable, low-cost KVM switches. It's a powerful and cost-effective tool, enabling you to operate 8 or 16 CPUs or servers with just 1 keyboard, monitor and mouse. And by cascading 16-port models, you can operate as many as 256 computers from a single location!

This sleek, 1U-sized switch uses a combination of CAT5, CAT5e, or CAT6 cable and PS/2® or USB (PC-style) Server Access Modules that make connections to CPUs or servers easy.

Easy to set up out of the box

The ServSwitch Panther is available with either 8 or 16 ports. You can run UTP cables out of those ports and into the Server Access Modules, which then connect easily to either USB or PS/2 connections at your individual CPUs or servers. Order one Server Access Module per CPU or server.

Rackmounting the switch is easy.

The included Rackmount Kit enables you to easily mount a unit in a server rack. Just connect your keyboard, monitor, and mouse to the switch.

Three ways to operate the system

Operating the system is easy. The ServSwitch Panther gives you control and management features through the accompanying on-screen display (OSD) control software.

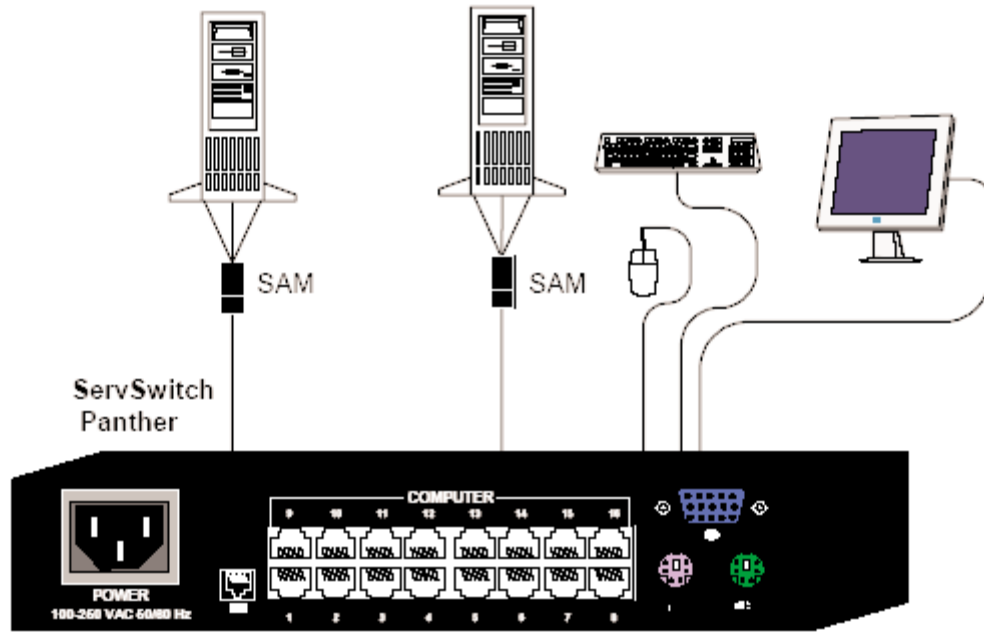
Switch between the connected CPUs or servers either through the OSD, via the Panther's front-panel push button, or by using keyboard hotkeys that you can configure easily.

The security is hard to beat

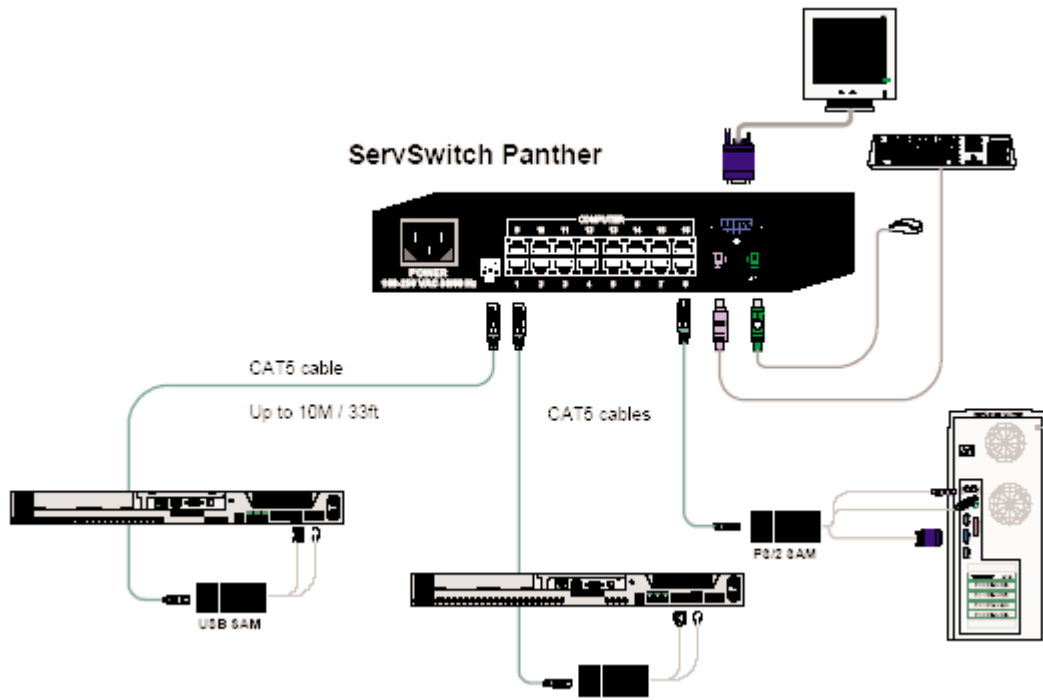
From a security standpoint, the ServSwitch Panther is hard to beat. Through the OSD software, you can assign three levels of users, who can only access the system by entering a password.

An "Administrator" can set and modify all passwords and security profiles, fully access any computer, and use all functions. A "Supervisor" can fully access or scan any computer. And you can only designate up to six "Users," each of whom has access to the particular computers to which you assign them.

System configuration



Cascaded Setup



Specifications

Distance (Maximum) — 10 m
Recommended Cat 5/5e/6 cable: -
solid core AWG24
(EYN795MS-xxxx)

Operating Systems Supported —
DOS, Windows®3.x/95/98/Me/XP,
Windows NT®, Windows 2000,
Linux, UNIX®, QNX, SGI™,
FreeBSD, BeOS, VMS,
Novell® 3.12-6.x

Resolution (Maximum) — 1600 x
1200 @ 75 Hz

CE Approval — Yes

Connectors — KV1108A: System:
(1) RJ-45; Flash: (8) RJ-45; Local
KVM: (1) HD15 F, (2) 6-pin mini
DIN F; KV1116A: System: (1) RJ-
45; Flash: (16) RJ-45; Local KVM:
(1) HD15 F, (2) 6-pin mini DIN F;
KV1120A: VGA: (1) HD15 M;
Keyboard/Mouse: (2) 6-pin mini
DIN M; System: (1) RJ-45;
KV1121A: VGA: (1) HD15 M;
Keyboard/Mouse: (2) USB Type A
M; System: (1) RJ-45

Indicators — LEDs: KV1108A: (8)
Select, (8) Power;
KV1116A: (16) Select, (16) Power

Power — KV1108A, KV1116A:
85–265 VAC, 50/60 Hz;
KV1120A: From the keyboard port;
KV1121A: From the USB ports

Size — KV1108A, KV1116A: 1.6"H
x 8.5"W x 4.8"D
(4.1 x 21.6 x 12.2 cm);
KV1120A–KV1121A: 0.9"H x 3.6"W
x 1.6"D (2.3 x 9.1 x 4.1 cm)

Weight — KV1108A, KV1116A: 2.2
lb. (1 kg);
KV1120A–KV1121A: 0.2 lb. (0.1 kg)

Ordering information

ITEM	CODE
ServSwitch Panther	
8-PortKV1108A
16-PortKV1116A
To link the Panther to CPUs or servers, order one Access Module for each connection...	
ServSwitch Panther Server Access Modules	
PS/2KV1120A
USBKV1121A

Black Box Network Services - The world's largest network services company

We are, with 25 years of experience, the world leader in network infrastructure services.

On the Phone — no charge, answer calls in less than 20 seconds, find the right product with our technical experts.

On-site — superior design and engineering, Certified installations, end-to-end service.

On-line — receive technical knowledge on-line, including technology overviews, Black Box Explains and the Knowledge Box.

Most comprehensive TECHNICAL SUPPORT — our best Product! Free hotline TECH SUPPORT!

The world's best customer service — Custom design services and products, the best warranties, money-saving discount programs.

BLACK BOX exclusives — Certification Plus. Guaranteed-for-life products and services.