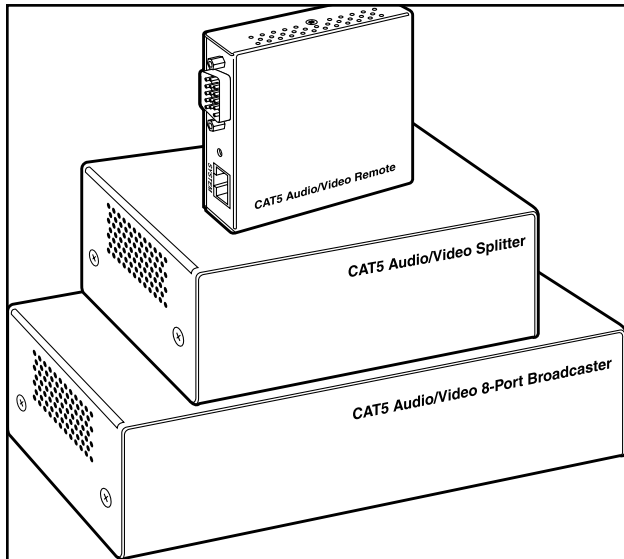


# BLACK BOX<sup>®</sup>

## NETWORK SERVICES

### CAT5 AUDIO/VIDEO BROADCASTER, SPLITTER, AND REMOTE



***Broadcast a single audio/video source to up to 512 remote display stations.***

#### Key Features

- ▶ ***Extend your video and audio up to 500 ft. (152.4 m).***
- ▶ ***Plug-and-play CAT5 cable technology produces no cable clutter.***
- ▶ ***Splitter is optional; use 72 splitters to expand your system up to 512 users.***
- ▶ ***Order one remote unit for each end-user device.***
- ▶ ***Ideal for display on a large screen.***

Controlling the video and audio on up to 512 remote display stations has never been easier! Use the CAT5 Audio/Video Broadcaster, Splitter, and Remote units to give real-time data updates at airports, stock exchanges, or at train or bus stations. With this system, you can monitor security at multiple locations. It can even be used in the classroom: send a teacher's screen display with audio to all student monitors and speakers, or darken all screens.

High-resolution audio and video is the name of the game with this system—you get up to 1600 x 1200 resolution at 75 Hz! (Actual resolution depends on cable length.) This handy hardware-only system ensures that screen quality is kept intact at each of the connected monitors.

Inexpensive, Category 5 shielded twisted-pair (STP) cables connect the CAT5 Audio/Video system. Order our EVNSL60 cable for optimum performance. Each remote display station can be placed up to 500 ft. (152.4 m) away from the Broadcaster.

The CAT5 Audio/Video system consists of the following components:

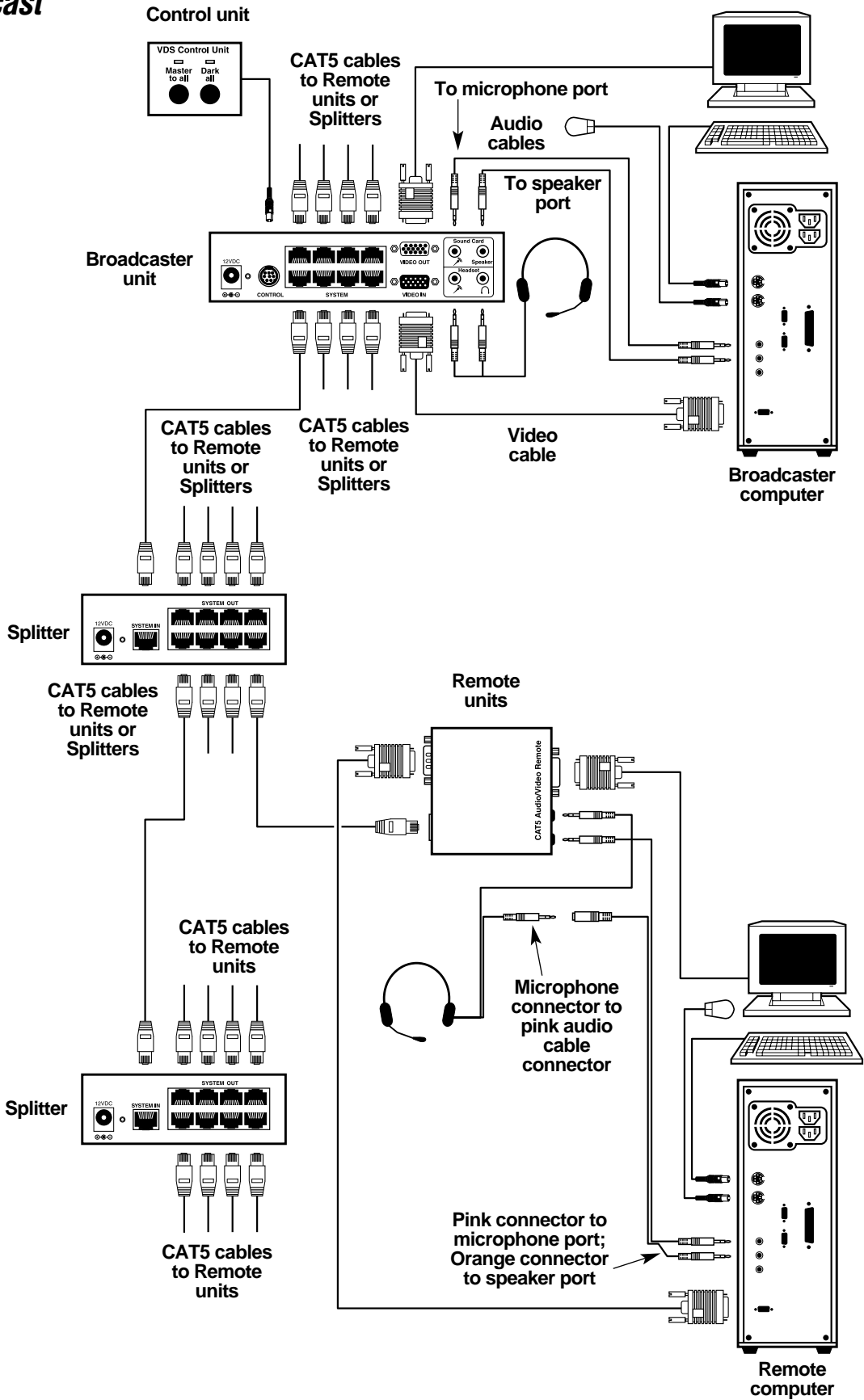
- (1) CAT5 Audio/Video 8-Port Broadcaster (AC156A-8) to connect to the audio/video source.

The Broadcaster package also includes a control unit. The system can work with or without the control unit. Without the control unit, the system constantly broadcasts a computer screen with audio to all remote monitors/speakers. With the control unit, you get expanded

applications, including darkening remote screens and releasing the remote screen to allow local access.

- (1) CAT5 Audio/Video Remote (AC158A-REM) for each remote screen/computer.
- *Optional:* (1) or more CAT5 Audio/Video Splitters (AC157A-8) to expand and boost the system. You can connect up to 72 splitters to your system.

***A typical broadcast application.***



# Specifications

**Resolution:** Up to 1600 x 1200 @ 75 Hz

**Input/Output Video Signals:**  
Analog signal red, green, blue  
0.7v p-p 75 ohms

**Sync:** TTL compatible

**Horizontal/Vertical Sync Polarity:**  
Positive/Negative

**System Cable:** CAT5 shielded twisted pair (STP)

**Maximum Distance:** 500 ft. (152.4 m)

**Audio:** Mono

**Temperature Tolerance:** Operating:  
Up to 122°F (50°C);  
Storage: -40 to +158°F (-40 to +70°C)

**Connectors:** AC156A-8: VGA In:  
(1) HD15 male;  
VGA Out: (1) HD15 female;  
System Out: (8) shielded RJ-45;  
Sound card: (2) 3.5-mm In/Out jacks;  
Microphone/Headphone:  
(2) 3.5-mm In/Out jacks;  
Controller: (1) 8-pin mini-DIN female;  
AC157A-8: System In: (1) shielded RJ-45;  
System Out: (1) shielded RJ-45;

AC158A-REM: System In:  
(1) shielded RJ-45;  
CPU VGA: (1) HD15 male;  
Screen: (1) HD15 female;  
Audio In/Out: (2) 3.5-mm jacks

**Cables:** AC156A-8: Control unit:  
(1) 3-ft. (0.9-m) cable to 8-pin mini-DIN connector;  
Broadcaster unit: (1) 5-ft. (1.5-m) VGA cable with HD15 male to HD15 female, (2) 4-ft. (1.2-m) stereo cables with 3.5-mm plug to 3.5-mm plug;  
AC157A-8: No cables;  
AC158A-REM: (1) 2.5-ft. (0.8-m) VGA cable with HD15 male to HD15 female connectors, (2) audio cables with (2) 3.5-mm plugs to (1) 3.5-mm plug and (1) 3.5-mm jack

**Power:** AC156A-8 and AC157A-8:  
12-VDC external power adapter and power cord;  
AC158A-REM: From previous unit

**Size:** AC156A-8: 6.9"H x 3.8"W x 1.7"D (17.5 x 9.7 x 4.3 cm);  
AC157A-8: 4.6"H x 3.8"W x 1.7"D (11.7 x 9.7 x 4.3 cm);  
AC158A-REM: 1.3"H x 3.1"W x 0.9"D (3.3 x 7.9 x 2.3 cm)

**Weight:**  
AC156A-8, AC157A-8: 2 lb. (0.9 kg);  
AC158A-REM: 0.6 lb. (0.3 kg)

# What the Package Includes

The CAT5 Audio/Video 8-Port Broadcaster package should include the following items:

- (1) CAT5 Audio/Video 8-Port Broadcaster
- (1) Control unit
- (1) VGA cable
- (2) Stereo audio cables
- (1) Power supply
- (1) Power cord
- (1) users' manual

The CAT5 Audio/Video Remote package should include the following items:

- (1) CAT5 Audio/Video Remote
- (1) VGA cable
- (1) Audio cable
- (3) Stickers to label STP cable

The CAT5 Audio/Video Splitter package should include the following items:

- (1) CAT5 Audio/Video Splitter
- (1) Power supply
- (1) Power cord
- (3) Stickers to label STP cable
- (1) users' manual

## Ordering Information

ITEM	CODE
CAT5 Audio/Video 8-Port Broadcaster .....	AC156A-8
CAT5 Audio/Video Splitter .....	AC157A-8
CAT5 Audio/Video Remote .....	AC158A-REM
<i>You might also need to order...</i>	
Shielded Twisted-Pair Cables (STP) with Snagless Boots, T568B, 4-Pair, RJ-45 Stranded, PVC, CMR Riser .....	
10-ft. (3-m).....	EVNSL60-0010
20-ft. (6.1-m).....	EVNSL60-0020