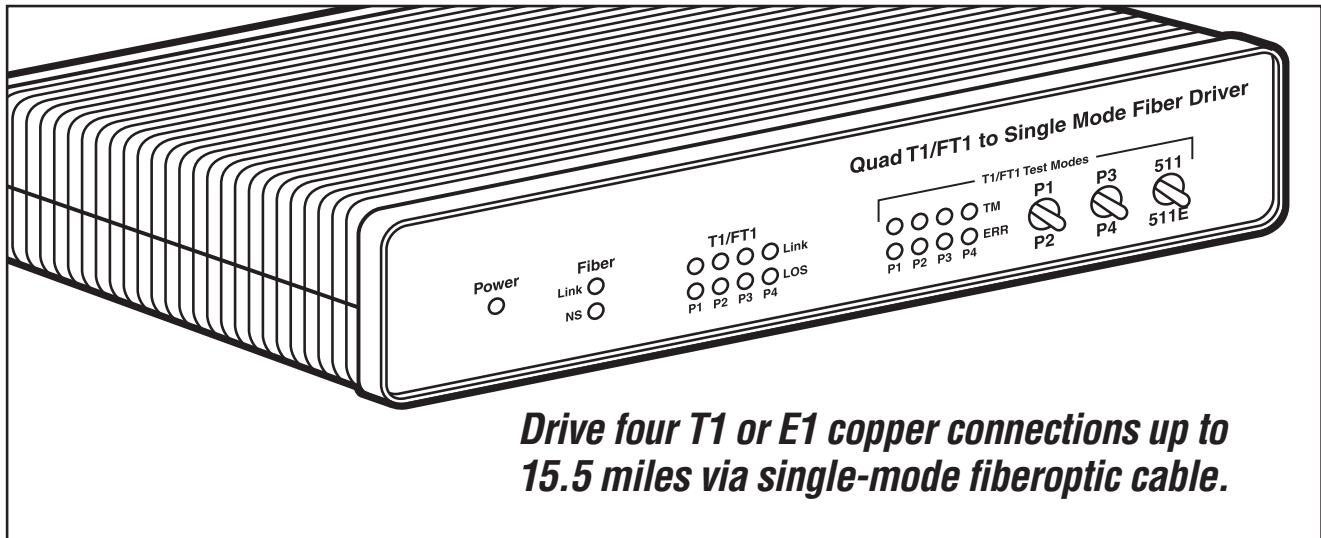


BLACK BOX[®]

NETWORK SERVICES

QUAD T1 OR E1 TO SINGLE-MODE FIBER DRIVER



Key Features

- ▶ **Connect four T1 or E1 twisted-pair ports over single-mode fiber.**
- ▶ **Choose SC or FC fiber connectors.**
- ▶ **Works with both framed or unframed T1 and E1.**
- ▶ **Built-in V.54 and V.52 compliant diagnostics.**
- ▶ **Includes 100-to-240-VAC universal power supply.**

Protect your data from noise and increase your network's reliability by running single-mode fiberoptic cable. With the Quad T1 or E1 to Single-Mode Fiber Driver, you can extend four standard T1 or E1 copper links over fiber at distances up to 15.5 miles (25 km). Each unit features four shielded RJ-48C twisted-pair connectors to attach your equipment and a pair of FC or SC connectors to link to the fiberoptic side.

Using laser optics and a unique high-speed switching technique, the fiber driver transparently carries framed or unframed T1 or E1 WAN signals over one single-mode fiber.

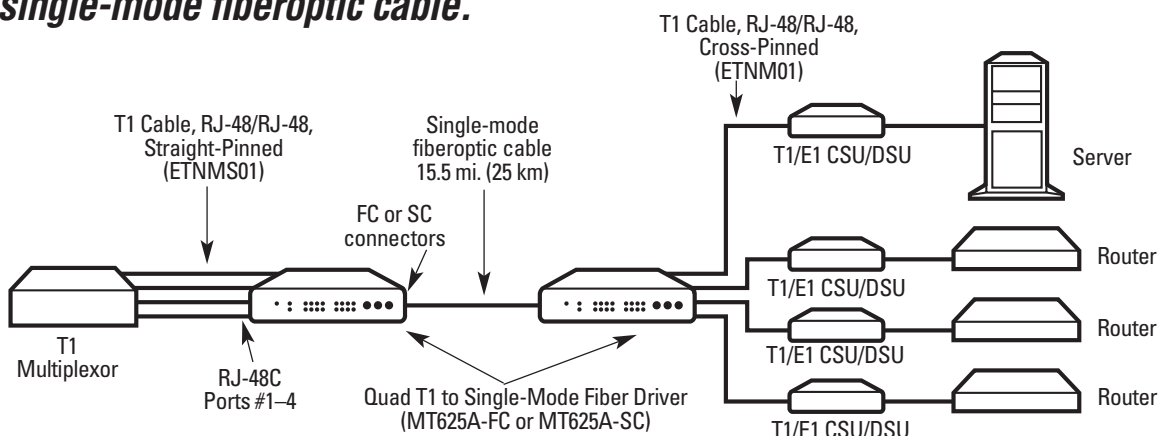
You can use the fiber drivers in a variety of applications. For example, carriers and service providers choose the fiber driver for simple extension and distribution of up to four T1 connections from the telco Central Office to a point-of-presence (POP). Cellular telephone companies use the fiber driver to link remote cell sites to local telephone exchanges. Enterprise customers use the fiber driver to extend the reach of T1 leased lines from the telco demarcation line to on-campus buildings.

Connecting to T1 circuits using AMI/HDB3 or AMI/B8ZS coding is easy. Internal, external from T1 or G.703 (for E1) network, and receive recover clocking options are standard. Simply configure these coding and clocking options via DIP switches.

Built-in V.54/V.52-compliant diagnostics are accessible via front-panel toggle switches. You can quickly troubleshoot and diagnose each fiber and network link independently.

A universal 100-to-240-VAC power supply is included.

Extend the reach of four copper devices or network segments over T1 via single-mode fiberoptic cable.



Specifications

Maximum Distance: Up to 15.5 miles (25 km) over one 1300-nm single-mode fiber

Line Rate: MT625A-FC, MT625A-SC: 1.544 Mbps;
MT626A-FC, MT626A-SC: 2.048 Mbps

Line Coding: AMI/HDB3, AMI/B8ZS

Line Framing: MT625A-FC, MT625A-SC: Framed or unframed T1, transparent to T1;
MT626A-FC, MT626A-SC: Framed or unframed G.703, transparent to G.704

Clocking: MT625A-FC, MT625A-SC: Internal, external from T1 network, and receive recover;
MT626A-FC, MT626A-SC: Internal, external from G.703 network, and receive recover

Fiber Link Budget: 13 dB

Cable: 9/125 µm single-mode

Connectors: MT625A-FC: (4) T1 shielded RJ-48C, (2) FC;
MT625A-SC: (4) T1 shielded RJ-48C, (2) SC;
MT626A-FC: (4) G.703 shielded RJ-48C, (2) FC;
MT626A-SC: (4) G.703 shielded RJ-48C, (2) SC

Switches: (16) DIP switches: SW1-1 through SW1-8 configure clocking modes and line coding; SW2-1 through SW2-8 configure Local/Remote Loop;
(3) Front-panel toggle switches:
(1) P1/P2 (port 1/port 2),
(1) P3/P4 (port 3/port 4),
(1) 511/511E test pattern

Indicators: (19) LEDs:
(1) Power,
(1) Fiber Link,
(1) Fiber NS (No Signal),
(4) Network Link,
(4) Network Loss,
(4) Test Mode (TM),
(4) Error (ERR)

Operating Temperature: 32 to 122°F (0 to 50°C)

Humidity: Up to 95%, noncondensing

Power: 100 to 240 VAC, 50/60 Hz

Size: 1.6"H x 7.3"W x 6.6"D (4.1 x 18.5 x 16.8 cm)

Weight: 1.8 lb. (0.8 kg)

What the Package Includes

- (1) Quad T1 to Single-Mode Fiber Driver with FC or SC connectors or (1) Quad E1 to Single-Mode Fiber Driver with FC or SC connectors
- (1) Power cord
- (1) Users' manual

Ordering Information

ITEM	CODE
Quad T1 to Single-Mode Fiber Driver	
FC connectors.....	MT625A-FC
SC connectors.....	MT625A-SC
Quad E1 to Single-Mode Fiber Driver	
FC connectors.....	MT626A-FC
SC connectors.....	MT626A-SC
<i>You might also need...</i>	
T1 Cable, RJ-48/RJ-48	
Straight-Pinned	ETNMS01
Cross-Pinned	ETNM01



Black Box offers the best warranty program in the industry—Fido Protection®. For more information, request **FaxBack 22512**.