



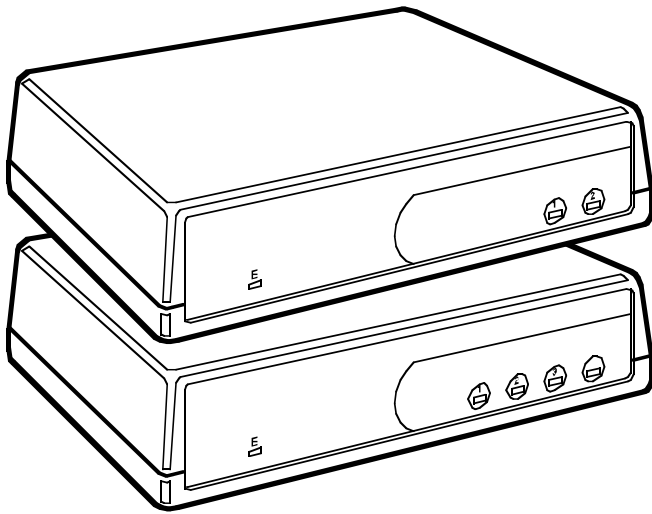
BLACK BOX[®]

NETWORK SERVICES

© 2003. All rights reserved.
Black Box Corporation.

Black Box Network Services • 464 Basingstoke Road • Reading, Berkshire, RG2 0BG • Tech Support: 0118 965 6000 • www.blackbox.co.uk • e-mail: techhelp@blackbox.co.uk

USB HUBS (2, 4, AND 8 PORTS)



Use your PC's USB bus to connect serial peripherals. We have hubs for RS-232, RS-422/RS-485, and RS-232/RS-422/RS-485 applications!

Key Features

- ▶ **High-speed alternatives to installing serial boards.**
- ▶ **Data rates up to 921 kbps.**
- ▶ **Plug-and-play, hot-swappable, autoconfiguring.**
- ▶ **Ideal for industrial applications.**
- ▶ **Include a 6-ft. (1.8-m) USB cable.**
- ▶ **Compatible with Windows[®] 98/Me/XP and Windows 2000.**

USB connections have replaced serial connections as the preferred method of linking peripheral devices to computers. Why? Because USB offers increased bandwidth, lower costs than conventional I/O ports, and the ability to connect devices externally.

And wouldn't you prefer to use an external connection to connect your serial peripherals instead of installing a PCI or ISA card in your system? BLACK BOX[®] USB Hubs enable you to do just that.

These hubs are available with two, four, or eight ports for RS-232, RS-422/RS-485, or RS-232/RS-422/RS-485 communications.

No matter which model you choose, the USB Hubs enable non-USB serial peripherals to be connected to your PC's USB bus while preserving serial speeds (standard PC data rates of up to

921.6 kbps). These high-speed capabilities are the result of the hubs' two high-speed FIFO buffers—a 128-byte FIFO buffer for data transmission and a 384-byte FIFO buffer for data reception.

The hubs spare you from opening your computer case, and they don't require resources such as input/output (I/O) ports or IRQs. In addition, your system doesn't need to be USB, both in terms of hardware and operating system.

Just think of the possible applications. Instead of plugging factory automation devices into serial ports on a PC, you can attach them to a hub and, in turn, connect the hub to your PC's USB bus. Data rates continue to transfer at serial connection speeds through the externally attached serial devices.

The USB Hubs are ideal for connecting factory automation

devices, such as data loggers and industrial machinery, or any device that depends on links that aren't affected by excessive noise or spikes in voltage.

And, with these hubs, you not only get industrial-quality serial connections, but automatic RS-485 data enable/disable along with a DB9 connector that's compatible with PCI and ISA RS-422 products.

You don't need much time to connect one of the hubs, either. These compact units connect to peripheral serial devices in external plug-and-play fashion. What's more, they're hot-swappable—you don't have to turn off your PC to install one.

Setup is easy. The hubs are shipped with drivers on a CD-ROM. Screen captures, including a "new hardware found" wizard, are used to locate the appropriate drivers and, once

they're found, a pop-up window indicates correct installation of the new ports and that the hub's hardware is ready for use.

Each port on a USB Hub can be individually configured to the

RS- interface of your choice. To do this, simply adjust DIP switches and DIP shunts.

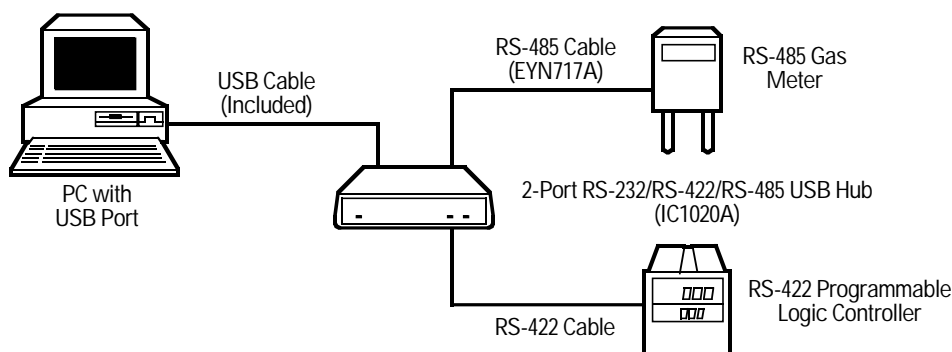
LEDs indicate whether USB is enabled and if there's activity on any hub ports. Upon hub

installation, you can begin the setup utility and use the included loopback plug to check communications between TD and RD.

When testing in loopback

mode, a port LED flashes and the interface screen displays echoed data (in the form of a hex pattern and ASCII data strings) to verify the hub's readiness for use in your application.

Use a USB Hub in an industrial monitoring application.



Technically Speaking

RS-232

RS-232 defines three types of connections: electrical, functional, and mechanical. This interface is ideal for the data-transmission range of 0–20 kbps/50 feet (15.2 m). It employs unbalanced signalling and is usually used with DB25 connectors to interconnect DTEs (computers, controllers, etc.) and DCEs (modems, converters, etc.).

RS-422

A differential interface that defines voltage levels and driver/receiver electrical specifications, RS-422 is typically more immune to noise or voltage spikes that may occur on the communication lines.

With differential interfaces, RS-422 also supports greater drive

capabilities over longer distances. It can communicate over cabling lengths of up to 4000 feet (1219.2 m). Its signal levels range from 0 to 5 volts.

In addition, the RS-422 serial transmission standard defines driver and receiver electrical characteristics that enable you to put one driver and up nine receivers on the line at the same time.

RS-485

Backward compatible with RS-422, the RS-485 interface is used for multidrop applications.

As with RS-422, the RS-485 interface supports cable lengths up to 4000 feet (1219.2 m). Plus, the signal levels for RS-485 are the same as those defined by RS-422.

Its electrical characteristics differ in that it allows for 32 devices to be connected simultaneously to one line.

Universal Serial Bus (USB)

Universal Serial Bus is a royalty-free bus specification developed by leading manufacturers in the PC and telephony industries to support plug-and-play peripheral connections. USB offers increased bandwidth and lower costs than conventional I/O ports.

The USB is a daisychain consisting of USB hubs and peripherals less than 5 metres (16.4 ft.) apart. The USB daisychain can support up to 127 devices. Instead of opening up the CPU to insert new boards, you make all

connections outside the case to the USB ports.

Because USB connections are hot-swappable, you can attach or remove peripherals without shutting down your computer. Also, USB hubs have additional ports that enable you to daisychain multiple devices together. Hundreds of manufacturers of PCs, various peripherals, and software support USB.

USB Version 1.1 supports 1.5- and 12-Mbps data rates. USB Version 2.0 is backward compatible to Version 1.1 speeds and also supports 480-Mbps data rates.

Why Buy From Black Box? Exceptional Value. Exceptional Tech Support. Period.

Recognise any of these situations?

- You wait more than 30 minutes to get through to a vendor's tech support.
- The so-called "tech" can't help you or gives you the wrong answer.
- You don't have a purchase order number and the tech refuses to help you.

According to a survey by Data Communications magazine, 90% of network managers surveyed say that getting the technical support they need is extremely important when choosing a vendor. But even though network managers pay anywhere from 10 to 20% of their overall purchase price for a basic service and

support contract, the technical support and service they receive falls short of their expectations—and certainly isn't worth what they paid.

At Black Box, we guarantee the best value and the best support. You can even consult our Technical Support experts before you buy if you need help

selecting just the right component for your application.

Don't waste time and money—call Black Box today.

Specifications

Communications Chips: (2) High-speed USB-to-serial interface FIFO buffers ([1] 128-byte FIFO for data transmission, [1] 384-byte FIFO buffer for data reception)

Compliance: UL® 94V0; FCC Class B, Part 15; CA classe B, CE

Operating Systems Supported: Windows 98/Me/XP, Windows 2000

Speed (Maximum):
RS-232: 460.8 kbps;
RS-422/RS-485: 921.6 kbps

Connectors:
Serial: (2), (4), or (8) DB9 M (DTE);
USB: (1) Type B

MTBF: >150,000 hours

Temperature Tolerance:
Operating: 32 to 122°F (0 to 50°C);
Storage: -4 to +158°F (-20 to +70°C)

Relative Humidity: 10 to 90%, noncondensing

Power: From the USB bus (as long as the device is connected to a powered PC or hub)

Size: 1.5"H x 7"W x 5.3"D (3.8 x 17.8 x 13.5 cm)

Package Includes

- (1) USB Hub
- (1) CD that includes user's manual plus software for setup in Windows 98/Me/XP and Windows 2000
- (1) 6-ft. (1.8-m) USB cable

Ordering Information

ITEM	CODE
USB Hubs	
RS-232/RS-422/RS-485	
2-Port	IC1020A
4-Port	IC1022A
8-Port	IC1025A
RS-422/RS-485	
4-Port	IC1021A
8-Port	IC1024A
RS-232	
8-Port	IC1023A

For optimum performance, order...

USB Version 1.1 Cable,
Type A–Type B, 10-ft. (3-m)USB01-0010
DB9 Extension Cable (with EMI/RFI Hoods),
Foiled Shielded, 10-ft. (3-m)EDN12H-0010