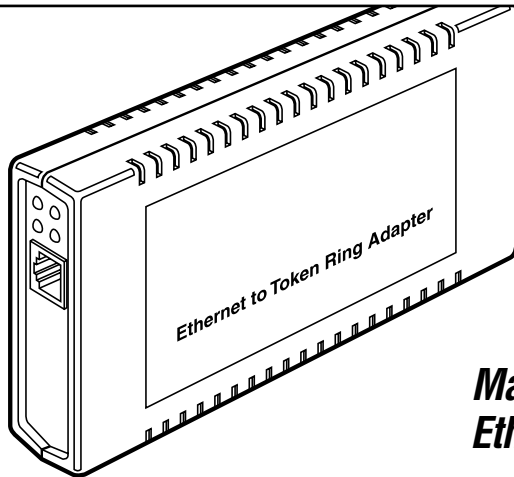




BLACK BOX[®]

NETWORK SERVICES

ETHERNET TO TOKEN RING ADAPTERS



Make cost-effective connections between any Ethernet device and your Token Ring network.

Key Features

- ▶ ***Connect a single Ethernet device to a Token Ring bridge.***
- ▶ ***Eliminates the need for an Ethernet segment on a Token Ring.***
- ▶ ***No complex setup or configuration required. Just plug and play!***
- ▶ ***Automatic cable type detection.***
- ▶ ***Autosenses ring speeds.***
- ▶ ***LEDs provide instant network status for easy troubleshooting.***
- ▶ ***Models for TCP/IP and SPX/IPX™ protocols available.***

Make the most of your Ethernet devices with this adapter. It lets you make cost-effective connections between any Ethernet device and a Token Ring network.

With it, there's no need to add an Ethernet segment to your Token Ring network. Printers, digital copiers, Internet fax machines, and network computers with built-in Ethernet connectors can be connected to the Token Ring network directly. Its compact size means you can easily deploy it anywhere you need an Ethernet device.

Because this adapter doesn't require a complex user setup or configuration procedure, installation is simple. And once installed, the adapter operates automatically. There's no software to learn and no configuration parameters to set.

Simply connect the included external power supply to the

adapter and make connections on the adapter's Ethernet device and Token Ring sides. This is done by inserting an RJ-45 10BASE-T cable from your Ethernet device into the RJ-45 port on the adapter's Ethernet panel side. Then insert either a Type 3 cable or a Type 1 cable from your Token Ring network MAU into the RJ-45 or DB9 ports on the adapter's Token Ring panel.

The adapter autosenses which Token Ring connector is being used and stores the Ethernet device's MAC address in its table while performing standard bridging functions, such as filtering and forwarding.

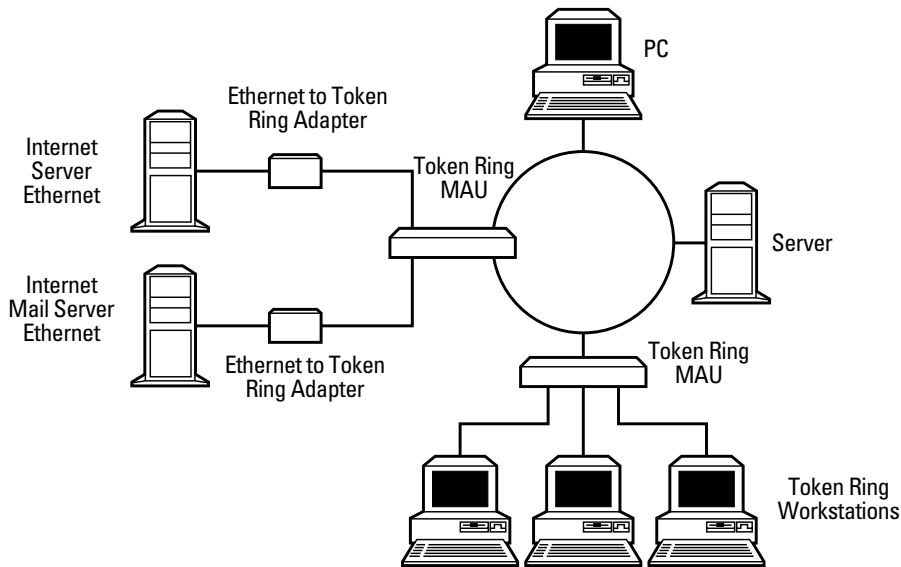
You can monitor activity via the adapter's indicators. On the Ethernet panel, a green Receive LED blinks when the adapter receives data from the Ethernet device; a red Transmit LED blinks when the adapter transmits data to the Ethernet

device; and a yellow Activity LED blinks whenever data is passed between the Ethernet device and the adapter. On the Token Ring panel, a red Error LED lights when an error on the Token Ring network is detected; a green Receive LED blinks when the adapter receives data from the network; and a red Transmit LED blinks when the bridge transmits data from the Ethernet device to the Token Ring network.

By default, the adapter autosenses Token Ring speeds of 4 or 16 Mbps. But you can also set it to operate in either speed exclusively.

Package Includes

- Adapter
- Power supply
- Power cord
- Users' manual



You can use the Ethernet to Token Ring Adapter to connect all types of Ethernet devices—including scanners, printers, and servers—to Token Ring networks.

Specifications

Protocols: All (IP or SPX/IPX)

Routing Type: Transparent

Indicators: Ethernet panel:
(4) LEDs: Power, Transmit, Receive, Activity,
Token Ring panel: (3) LEDs:
Transmit, Receive, Error

Interface: 10BASE-T, Token Ring
Types 1 and 3

Connectors: (2) RJ-45 (Ethernet,
Token Ring Type 3); (1) DB9
(Token Ring Type 1)

Speeds: 4- or 16-Mbps Token Ring;
10-Mbps Ethernet

Operating Temperature Tolerance:
50 to 95°F (10 to 35°C)

Humidity Tolerance: 15 to 70%

Power: Input: 110–240 VAC,
50–60 Hz, autosensing,
external;
Output: 5 volts DC, 950 mA

Size: 1.3"H x 3"W x 6.5"D (3.3 x 7.6 x
16.5 cm)

Weight: 1.3 lb. (0.6 kg)

Ordering Information

ITEM

CODE

Ethernet to Token Ring Adapters (Device to Network)
TCP/IP Protocol.....LBU9001-US
SPX/IPX™ (Novell®) Protocol.....LBU9002-US

You may also need cable...

Category 5 Patch Cable with Molded Boots,
100-MHz, 4-Pair, Straight-Pinned, PVC, Beige,
10-ft. (3-m).....EVNSL25-0010

Why Buy From Black Box? Exceptional Value. Exceptional Tech Support. Period.

Recognize any of these situations?

- You wait more than 30 minutes to get through to a vendor's tech support.
- The so-called "tech" can't help you or gives you the wrong answer.

- You don't have a purchase order number and the tech refuses to help you.
- It's 9 p. m. and you need help, but your vendor's tech support line is closed.

According to a survey by Data Communications magazine, 90% of network managers surveyed say that getting the technical

support they need is extremely important when choosing a vendor. But even though network managers pay anywhere from 10 to 20% of their overall purchase price for a basic service and support contract, the technical support and service they receive falls far short of their expectations—and certainly isn't

worth what they paid.

At Black Box, we guarantee the best value and the best support. You can even consult our Technical Support Experts before you buy if you need help selecting just the right component for your application.

Don't waste time and money—call Black Box today.