



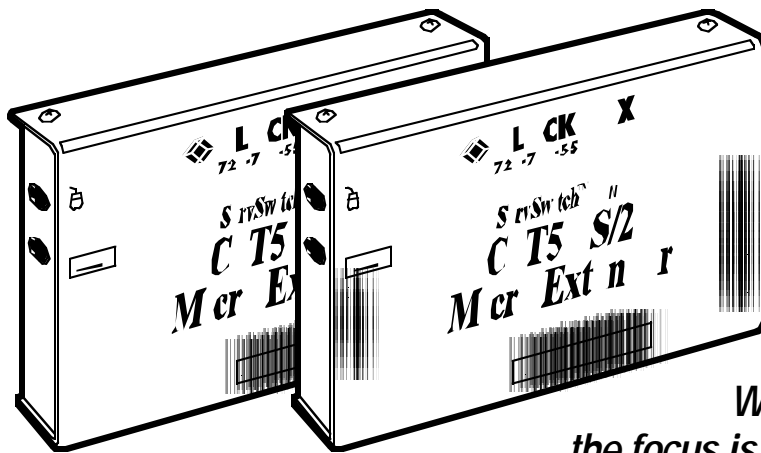
# BLACK BOX<sup>®</sup>

## NETWORK SERVICES

© 2004. All rights reserved.  
Black Box Corporation.

Black Box Network Services • 464 Basingstoke Road • Reading, Berkshire, RG2 0BG • Tech Support: 0118 965 6000 • [www.blackbox.co.uk](http://www.blackbox.co.uk) • e-mail: [techhelp@blackbox.co.uk](mailto:techhelp@blackbox.co.uk)

## SERVSWITCH CAT5 KEYBOARD & MOUSE EXTENDER KIT



*With this extender kit,  
the focus is on you and your presentation.*

### Key Features

- ▶ **Your partner operates an IBM<sup>®</sup> compatible computer while you give the presentation.**
- ▶ **Easy to install.**
- ▶ **Uses inexpensive CAT5 cable. Make runs up to 984.2 feet (300 m) between local and remote units!**
- ▶ **Compatible with wheel mice, including the popular Microsoft IntelliMouse.**
- ▶ **All keyboard and mouse signals are fully buffered.**
- ▶ **PS/2 mouse and keyboard emulation.**

Every day you face the music, give the hard speeches, make the sale, and represent your company to the masses. You're the consummate professional giving presentations. So when you need to really wow the audience, you and a partner can enhance your professional image with the ServSwitch™ CAT5 Keyboard & Mouse Extender Kit.

The ServSwitch CAT5 Keyboard & Mouse Extender Kit enables your partner to operate the computer from the rear of your presentation area while you give the pitch in the front to the audience. There are no distractions, and you're free from standing next to a computer.

For example, you can attach a laptop computer between a projector and the local unit, then

run Category 5 UTP or STP cable from the local unit to the remote unit. Connect a keyboard or mouse to the remote unit, and your partner is able to run computer graphics from the back of the room.

Connections between the CPU and the remote keyboard and mouse can run further than just the length of a presentation room—much further (up to 984.2 ft. [300 m] using a single industry-standard Category 5 UTP or STP 4-pair cable)! All keyboard and mouse signals are fully buffered to ensure consistent remote operation of your computer.

The ServSwitch CAT5 Keyboard & Mouse Extender Kit works with *all* operating systems, no software required.

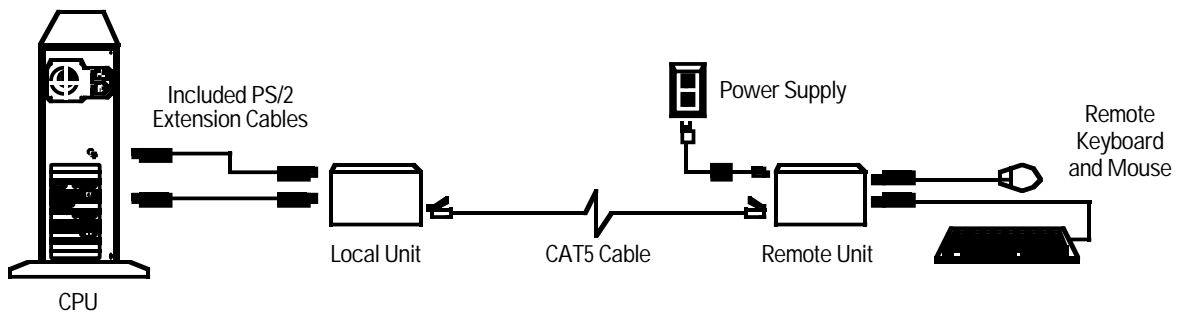
Setup is fast and simple, too.

Use the included PS/2<sup>®</sup> extension cables to attach the CPU to the local unit. Next, plug the remote keyboard and mouse into the remote unit. Using CAT5 cable, connect the local and remote units. Then connect the included power supply to the remote unit. That's it—you and your partner are ready to knock 'em dead.

Because the extender performs complete PS/2 keyboard and mouse emulation, you can boot a computer without having a keyboard or mouse attached to the CPU. The computer will start up even if the remote unit is not powered or has no keyboard or mouse connected to it.

The ServSwitch CAT5 Keyboard & Mouse Extender Kit is also compatible with the Microsoft<sup>®</sup> IntelliMouse<sup>®</sup>. Use the kit with this mouse and other wheel mice with confidence.

## Basic setup for the ServSwitch CAT5 Keyboard & Mouse Extender Kit.



## Specifications

**Cable Required:** Between local and remote units: Category 5 solid UTP or STP, wired to the TIA/EIA-568A or (preferred) -568B standard, terminated with RJ-45 M connectors

**Compatibility:**

Keyboard: IBM PC/AT® or PS/2 compatible (PC/AT types require connector adapter);  
 Mouse: IBM PS/2 compatible two-button, Microsoft IntelliMouse™, or Logitech™ PS/2 compatible three-button

**Compliance:** CE Class B;  
 FCC Part 15 Subpart B Class A,  
 IC Class/classe A

**Distance (Maximum):**

From local unit to attached CPU or KVM switch: 16.4 ft. (5 m);  
 from remote unit to attached monitor, keyboard, and mouse or KVM switch: 16.4 ft. (5 m);  
 between local and remote units: 984.2 ft. (300 m);

NOTE: With high-quality cables, it might be possible to run farther than 16.4 ft. (5 m) from the extender to attached equipment

**Interface:** IBM PS/2 compatible

**Connectors:** Local unit: (2) 6-pin mini DIN F for output to CPU's keyboard and mouse ports;

(1) RJ-45 F for local/remote interconnection;  
 Remote unit: (2) 6-pin mini-DIN F for input from keyboard and mouse; (1) RJ-45 F for local/remote interconnection; (1) 2.5-mm center-positive barrel jack for power

**Enclosure:** Steel

**Operating Environment:**

Temperature: 32 to 104°F (0 to 40°C);  
 Humidity: 5 to 90% noncondensing

**Power:** Local unit: 5 VDC at up to 120 mA from CPU's keyboard port;

Remote unit: From desktop power supply:

Input: 100–240 VAC, 50–60 Hz from utility power (mains) outlet, through detachable power cord and IEC 320 M inlet, to external transformer;  
 Output: 5 VDC regulated, up to 1 amp, from transformer to remote unit

**Size:** Each unit: 1"H x 4.3"W x 3.2"D (2.5 x 10.9 x 8.1 cm)

**Weight:** 0.5 lb. (0.2 kg)

## What's Included

- Local unit.
- Remote unit.
- (2) 6-ft. (1.8-m) PS/2 style CPU cables.
- Power supply with (1) input and (1) output cord.

## Ordering Information

ITEM	CODE
ServSwitch™ CAT5 Keyboard & Mouse Extender Kit .....	ACU1007A
<i>You may also want to order cable...</i>	
Category 5 Solid-Conductor Cable, 4-Pair, Straight-Pinned, PVC, 10-ft. (3-m).....	EYN737MS-0010