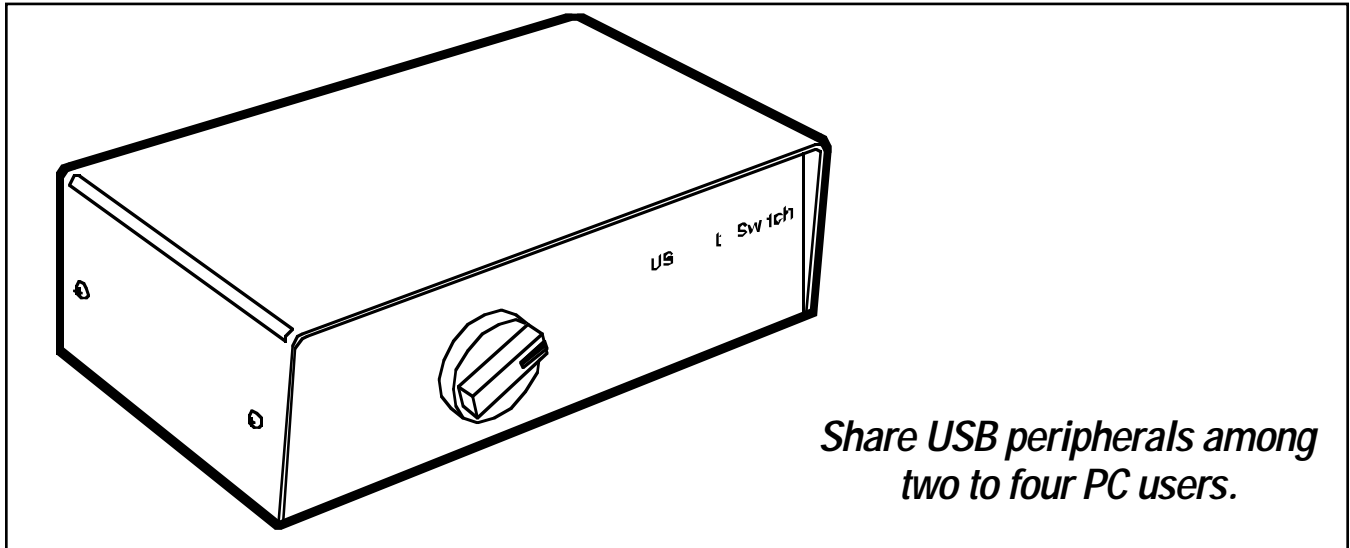




BLACK BOX[®]

NETWORK SERVICES

USB DATA SWITCH



Key Features

- ▶ **Sturdy, fully shielded metal housing with anti-slip rubber foot.**
- ▶ **Easy to install, and no power required.**
- ▶ **Economically priced!**
- ▶ **Plug-and-play operation.**
- ▶ **Reliable manual switching.**
- ▶ **Features high-quality wire soldering.**

Use the USB Data Switch to combine different USB systems in a single system. With it, you can share one USB device, such as a printer, between two or four PCs simply by turning a knob.

High-quality soldered wires make switching operation reliable every time. An anti-skid rubber foot keeps the switch in place.

The USB Data Switch also features easy plug-and-play operation and requires no power.

The Switch is also easy to install. Just use USB cables (our part number USB01) to connect the USB Data Switch to the PCs, hub (USB Director, our part number IC165A), and selected devices such as printers, tape drives, or cameras.

Specifications

Case — Fully shielded, 1.2-mm metal

Port Selection — Manual rotary switch

Leads Supported — All 4 lines switched

Connectors — Input: (1) USB Type A; Output: (2) or (4) USB Type B

MTBF — 25,000 cycles

Operating Temperature — 0 to 45°C (32 to 114°F)

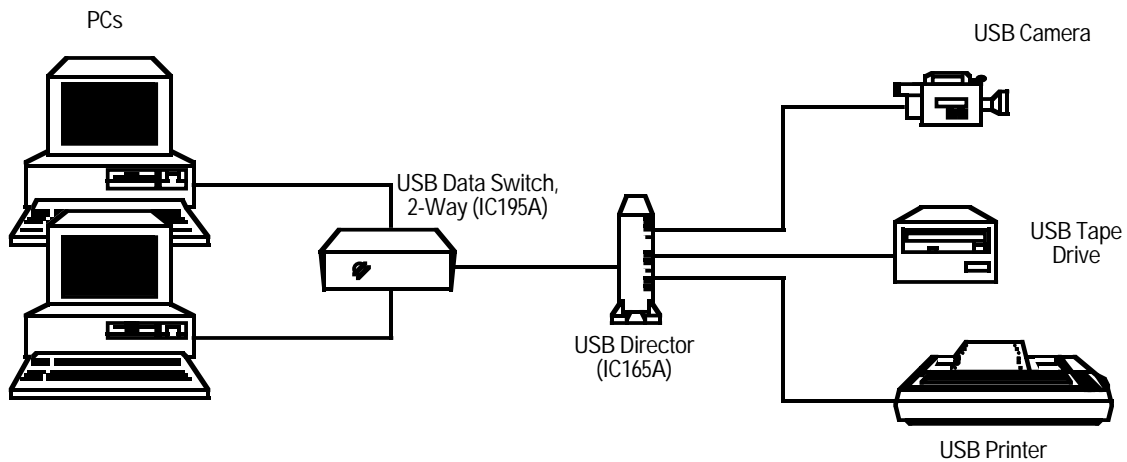
Storage Temperature — -40 to +80°C (40 to +176°F)

Relative Humidity — Up to 95% noncondensing

Power — None required

Size — 6.4H x 15.2W x 10.2D cm (2.5"H x 6"W x 4"D)

Weight — 0.5 kg (1.1 lb.)



In this application, two PCs share a printer, a tape drive, and a digital camera.

Why Buy From Black Box? Exceptional Value. Exceptional Tech Support.

Recognise any of these situations?

- You wait more than 30 minutes to get through to a vendor's tech support.
- The so-called "tech" can't help you or gives you the wrong answer.
- You don't have a purchase order number and the tech refuses to help you.

According to a survey by Data Communications magazine, 90% of network managers surveyed say that getting the technical support they need is extremely important when choosing a vendor. But even though network managers pay anywhere from 10 to 20% of their overall purchase

price for a basic service and support contract, the technical support and service they receive falls far short of their expectations—and certainly isn't worth what they paid.

At Black Box, we guarantee the best value and the best support. You can even consult our Technical Support Experts before you buy if you need help selecting just the right component for your application.

Don't waste time and money—call Black Box today.

Ordering Information

ITEM	CODE
USB Data Switch	
2-Way.....	IC195A
4-Way.....	IC196A
<i>To connect even more devices, order...</i>	
USB Director 4-Port Hub.....	IC165A
<i>Don't forget to order cable...</i>	
Universal Serial Bus (USB) Cable	
0.9-m (3-ft.)	USB01-0003
1.8-m (6-ft.)	USB01-0006
3-m (10-ft.)	USB01-0010
4.5-m (15-ft.)	USB01-0015