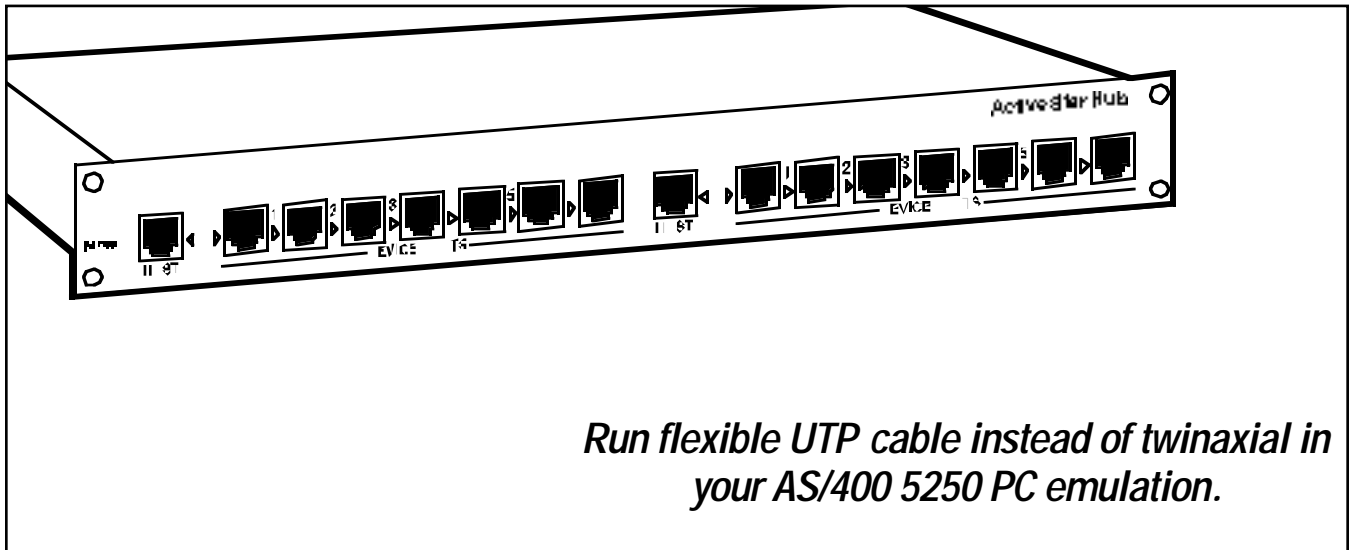


BLACK BOX[®]

NETWORK SERVICES

ACTIVE STAR HUB



Key Features

- ▶ **Proven interoperability with 5250 compatibles.**
- ▶ **Standards-based 5250 "star" hub distribution allows greater flexibility for adds, moves, and changes.**
- ▶ **Meets or exceeds EIA/TIA wiring recommendations.**
- ▶ **Advanced noise filtering and signal conditioning.**
- ▶ **Guaranteed firmware upgrade path to the new IBM 5250 Express protocol.**

The IBM[®] 5250 Express protocol, capable of TCP/IP support, is quickly becoming the "de facto" standard for AS/400[®] PC emulation. With the Active Star Hub from Black Box, you're guaranteed an upgrade path (via firmware) to the new protocol for far less cost than completely replacing the hub.

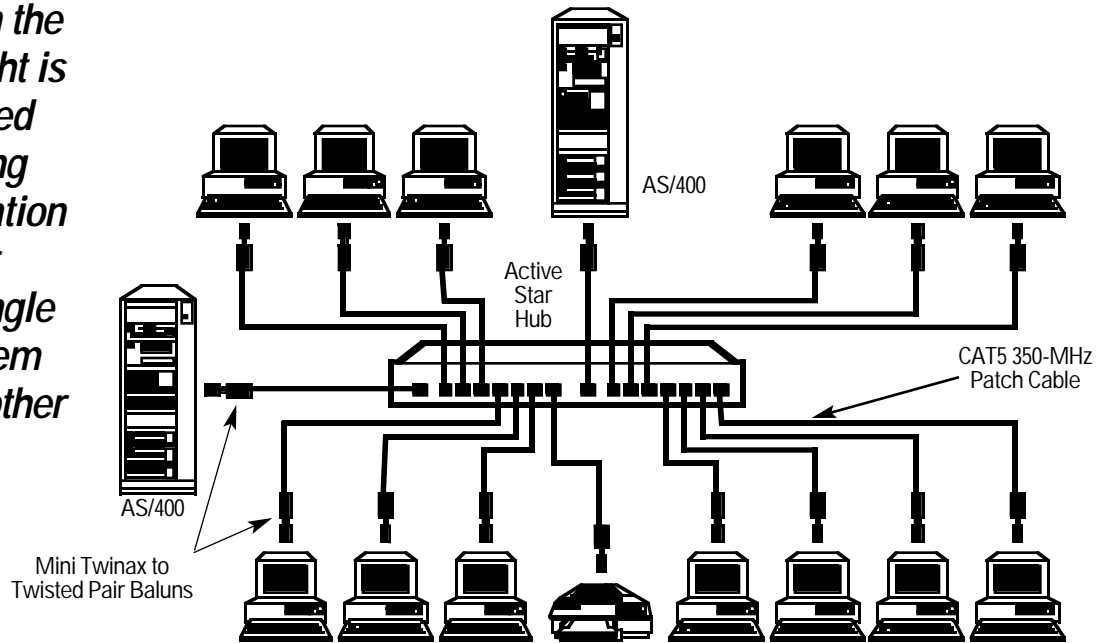
The Hub is a state-of-the-art dual active star that has two host port connections and 14 device port connections. It was designed with protocol-transparent criteria and is available with either RJ-11 or RJ-45 connectors. This standards-based, flexible UTP

star solution is a low-cost alternative to expensive and rigid twinaxial daisychain cabling. Each device port is isolated, assuring that problems won't be transmitted throughout the entire network. Digital Phase Lock Loop and signal conditioning, noise suppression, and proven interoperability assure reliable and transparent connections with IBM AS/400, 3X and compatible terminals, printers, emulation cards, and remote controllers.

Other Hub features include:

- The Hub is polarity insensitive as long as host and device polarities are the same.
- Advanced noise filtering and signal conditioning means that the Hub will work with lesser-grade cabling systems.

Each device in the diagram at right is on a dedicated cable offering complete isolation from other devices. A single device problem cannot affect other users.



Why Buy From Black Box? Exceptional Value. Exceptional Tech Support.

Recognise any of these situations?

- You wait more than 30 minutes to get through to a vendor's tech support.
- The so-called "tech" can't help you or gives you the wrong answer.
- You don't have a purchase order number and the tech refuses to help you.

According to a recent survey by Data Communications magazine, 90% of network managers surveyed say that getting the technical support they need is extremely important when choosing a vendor. But even though network managers pay anywhere from 10 to 20% of

their overall purchase price for a basic service and support contract, the technical support and service they receive falls far short of their expectations—and certainly isn't worth what they paid.

At Black Box, we guarantee the best value and the best support. You can even consult our Technical Support Experts before you buy if you need help selecting just the right component for your application.

Don't waste time and money—call Black Box today.

Specifications

Number of Host Ports: 2

Number of Device Ports: 14

Data Rate: 1 Mbps

Protocol: IBM 5250

Indicators: (17) LEDs: (1) Power, (2) Host Port Activity, (14) Device Port Activity

Connectors: IC207A: (16) RJ-11;
IC208A: (16) RJ-45

Active Pair: Configurable

Maximum Distance: Controller to Hub: Up to 609.6 m (2000 ft.);
Hub to Device: Up to 670.6 m (2200 ft.)

Temperature Tolerance: Operating: 0 to 40°C (32 to 104°F); Storage: 0 to 85°C (32 to 185°F)

Humidity: 95% noncondensing

Power: 100 to 240 VAC, +5 VDC external power supply

Size: 4.4H x 48.3W x 15.2D cm (1.75"H (1U) x 19"W x 6"D)

Weight: 2.9 kg (6.3 lb.)

What the Package Includes

- Active Star Hub RJ-11 (IC207A) or Active Star Hub RJ-45 (IC208A)
- 100-240 VAC input external power supply (attached to Hub)
- Users' manual

Ordering Information

ITEM	CODE
Active Star Hub	
RJ-11	IC207A
RJ-45	IC208A