

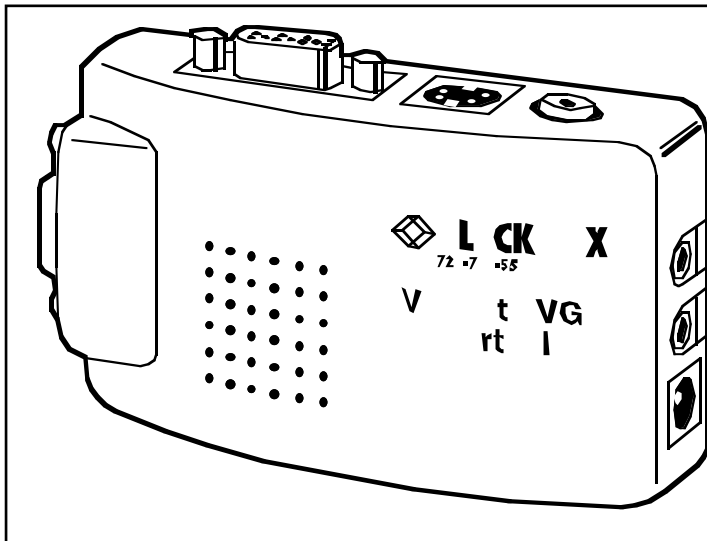


BLACK BOX[®]

NETWORK SERVICES

© 2004. All rights reserved.
Black Box Corporation.

VIDEO TO VGA PORTABLE



This state-of-the-art converter provides video capability on your VGA monitor.

Key Features

- ▶ **Supports composite video, S-video, and VGA inputs.**
- ▶ **Supports all video standards worldwide!**
- ▶ **Superior video quality.**
- ▶ **Small, portable size.**
- ▶ **No software required.**
- ▶ **Works with CRT or LCD monitors.**
- ▶ **No specific PC system is required.**
- ▶ **Includes the cables you'll need.**

Get superior video quality and remote switching capability on your VGA monitor via the VGA to Video Portable. Video quality is controlled via brightness, contrast, colour, and hue settings.

Used for home computing, educational, or professional presentation applications, the VGA to Video Portable converts any video signal into a non-interlaced VGA signal for CRT or LCD monitors. And it supports all video standards!

You'll need a VESA VGA compatible monitor, a speaker with 4 ohms impedance, and a video input device (such as a VCR, camcorder, laser-disc player, DVD, etc.). But you won't need a specific PC system.

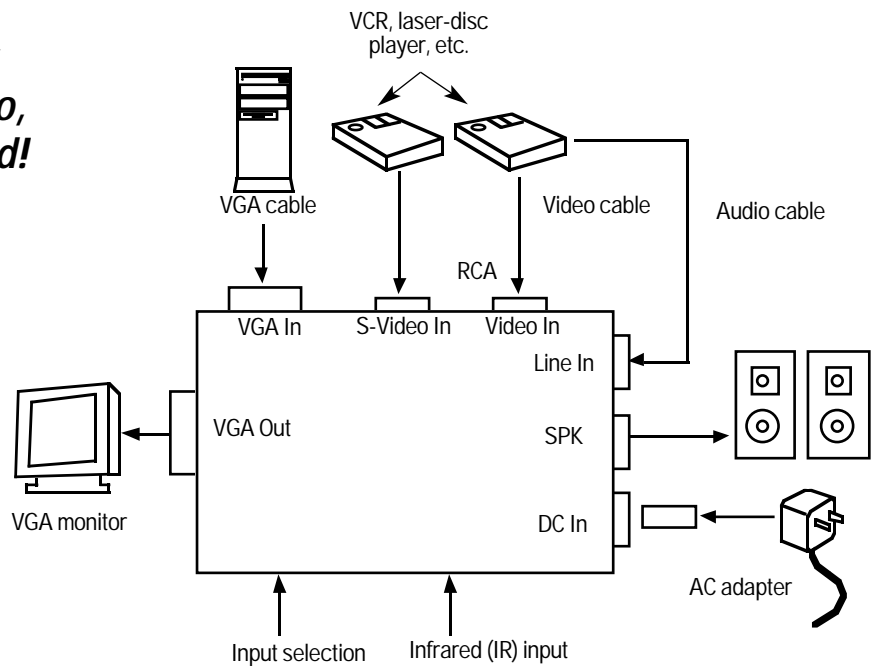
A typical application (shown on the next page) involves connecting video input devices to the "In" ports of the VGA to Video Portable. The video input devices can be VCRs, DVDs, camcorders, or any other video device. An input selection switch on the VGA to Video Portable lets you switch between VGA In, Video In, and S-Video In. Or use the infrared (IR) input remote control interface. A Line In connector accepts stereo audio input. Attach it to your VCR or TV game's audio output.

The VGA Out port links the VGA to Video Portable to your original VGA monitor. Connect to a speaker of 4 ohms impedance via the stereo power amplifier output (SPK).

A remote control (which functions just like the remote control used for your TV) is included. It allows you to switch input sources remotely and adjust picture quality. Choose from PC, Video, S-Video, Brite (for brightness), Cont. (for contrast adjustment), Colour, Hue, System, and Recall.

Also included are cables (see below), an AC power adapter, a cloth carrying case, and a users' manual. The cables you'll receive are a 1-ft. (0.3-m) male/male VGA cable, a 9-ft. (2.7-m) male/male S-video cable, and a 9-ft. (2.7-m) male/male RCA composite cable.

Select from a variety of inputs: VGA, S-Video, Video In—even infrared!



Specifications

Minimum System Requirements:
VESA VGA compatible monitor, speaker with 4 ohms impedance, video input device; no specific PC system required

User Controls: (1) input selection switch

Compliance: FCC Part 15 Class B, CE

Connectors: (2) HD15 female, (1) 4-pin DIN for S-Video, (1) RCA jack for composite video, (2) audio connectors, (1) barrel connector for power

Power: AC328A: Input: 100 to 120 VAC, 47 to 63 Hz, 1 amp; Output: 5 VDC, 2.5 amps;
AC328AE: Input: 100 to 240 VAC variable, 47 to 63 Hz; Output: 6 VDC, 2 amps

Size: 1.2"H x 2.2"W x 3.7"D
(3 x 5.6 x 9.4 cm)

Weight : 0.3 lb. (0.1 kg)

Ordering Information

ITEM	CODE
Video to VGA Portable	
100 to 120 VAC	AC328A
100 to 240 VAC	AC328AE

Why Buy From Black Box? Exceptional Value. Exceptional Tech Support. Period.

Recognise any of these situations?

- You wait more than 30 minutes to get through to a vendor's tech support.
- The so-called "tech" can't help you or gives you the wrong answer.

- You don't have a purchase order number and the tech refuses to help you.

According to a survey by Data Communications magazine, 90% of network managers surveyed say that getting the technical support they need is extremely important when choosing a vendor. But even though network managers pay anywhere from 10

to 20% of their overall purchase price for a basic service and support contract, the technical support and service they receive falls far short of their expectations—and certainly isn't worth what they paid.

At Black Box, we guarantee the best value and the best support. You can even consult our

Technical Support Experts before you buy if you need help selecting just the right component for your application.

Don't waste time and money—call Black Box today.