

# BLACK BOX<sup>®</sup>

## NETWORK SERVICES

### FIBRE WALL CABINETS, PANELS, AND SHELVES

***Build your custom fibrenetwork with these handy fibre cabinets and accessories.***

#### Key Features

##### FIBRE WALL CABINETS

- ▶ ***Models available to mount on wall or in a rack.***
- ▶ ***Choose from open or lock-style cabinets, or fibre panels or shelves.***
- ▶ ***Adapter panels (ordered separately) provide ST, SC, MT-RJ, LC, or blank connectors.***
- ▶ ***Mix and match ST or SC connectors to suit your application.***

Whether you're adding a small- or mid-sized fibre workgroup or installing or organizing a larger fiber network, Black Box has the solution. Choose from open or locked Fibre Wall Cabinets, Rackmount Fibre Panels or Shelves. Handy adapter panels featuring ST, SC, LC, MT-RJ, or blank connectors are available to configure your system to suit your needs.

The following models are available:

- Fibre Wall Cabinets, Unloaded, Open 12- or 24-Port. The 12-Port model (JPM400A) accepts 2 adapter panels, and the 24-Port model (JPM401A) accepts 4.
- Fibre Wall Cabinets, Lock Style 24- or 72-Port. The

24-Port model (JPM402A) accepts 4 adapter panels, and the 72-Port model (JPM403A) accepts 12 adapter panels. For small- to mid-sized networks, choose:

- Rackmount Fibre Panel, 72-Port, 3U (JPM406A) (accepts 12 adapter panels).
- Rackmount Fibre Shelf, 18-Port, 1U (JPM407A) (accepts 3 adapter panels).

The ST and SC adapter panels have six connectors each. For ST connectors order JPM404A; for SC connectors order JPM405A. For MT-RJ connectors, order JPM409A. For LC connectors, order JPM410A. Or select a blank panel (JPM408A).

The cabinets and panels are constructed of high-quality,

16-gauge cold rolled steel (CRS) and finished with a black electrostatically applied powder paint.

Our High-Density (HD) Adapter Panels (JPM411A–JPM416A) are equipped with a variety of adapter connector types and snap easily into Fibre Wall Cabinets. We offer ST, SC, ST to SC, or MT-RJ connectors.

The adapters work with both multimode fibre and non-angle-polish single-mode fibre and are constructed with high-retention phosphor bronze alignment sleeves.

The 4-Pack Jack Pack (JPM417A) is an unloaded adapter panel for four snap fittings or keystone jacks.

##### HD ADAPTER PANELS

- ▶ ***Work with both fibre and non-angle polish single-mode fibre.***
- ▶ ***Come in a variety of connector types.***
- ▶ ***Easily fit into Fibre Wall Cabinets.***
- ▶ ***Choose from ST, SC, ST to SC, or MT-RJ connectors.***

#### Specifications

**Fibre Wall Cabinets, Open**

**Size —**

JPM400A: 26.7 x 19.1 x 6.4 cm; JPM401A: 34.3 x 27.9 x 6.4 cm

**Fibre Wall Cabinets, Lock-Style**

**Size —**

JPM402A:

30.5 x 35.6 x 8.4 cm;

JPM403A:

40.6 x 35.6 x 16.5 cm

**Rackmount Fibre Panel:**

**Size —**

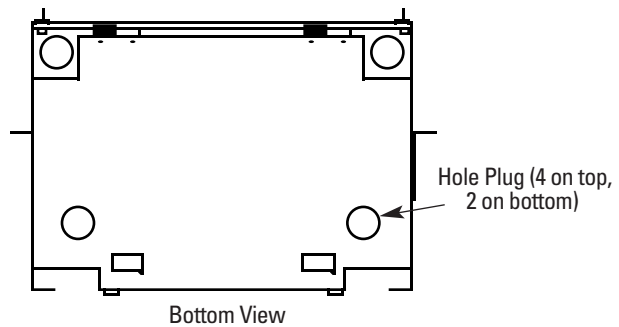
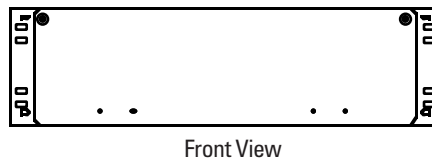
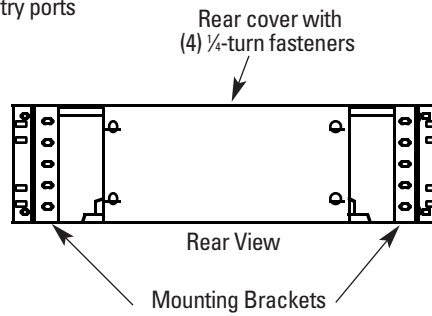
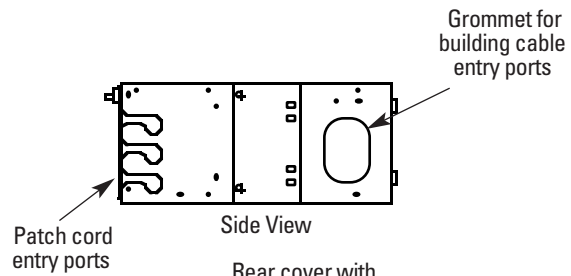
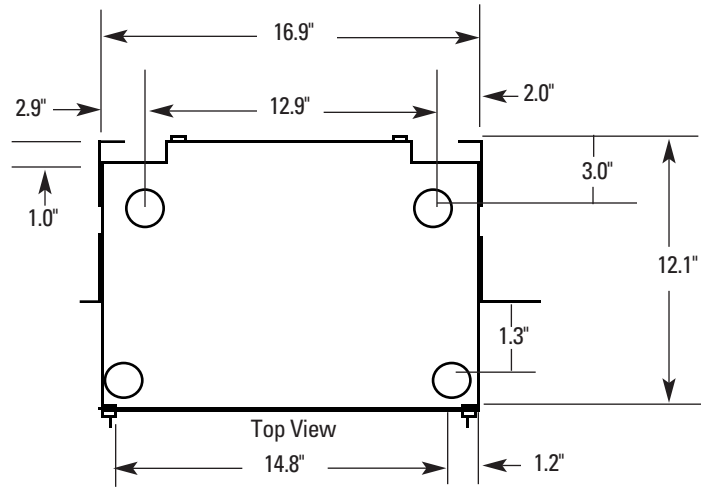
JPM406A: 13.2 x 42.9 x 30.7 cm

**Rackmount Fibre Shelf:**

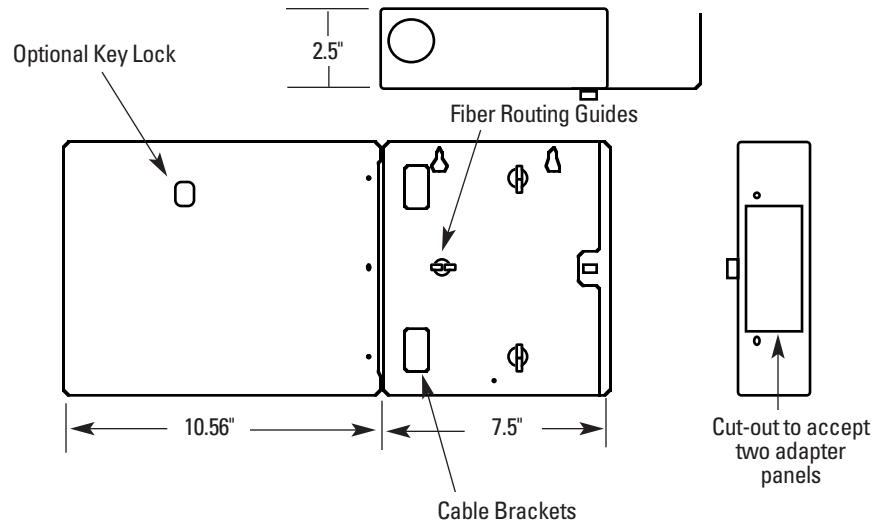
**Size —**

4.4 x 43.2 x 27.9 cm

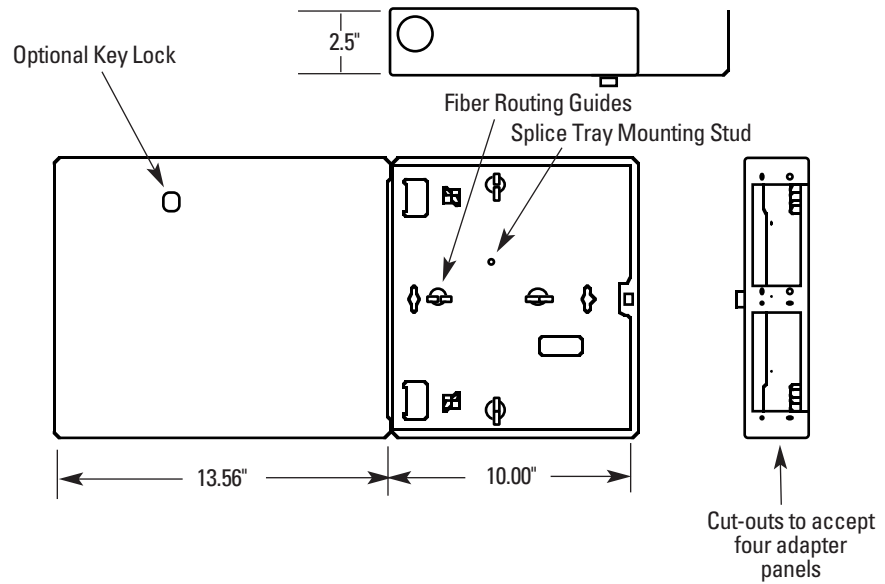
**The 72-Port Lock-Style Fibre Wall Cabinet (JPM403A) accepts up to 12 adapter panels. A 24-Port model (JPM402A) that uses up to four adapter panels is also available.**



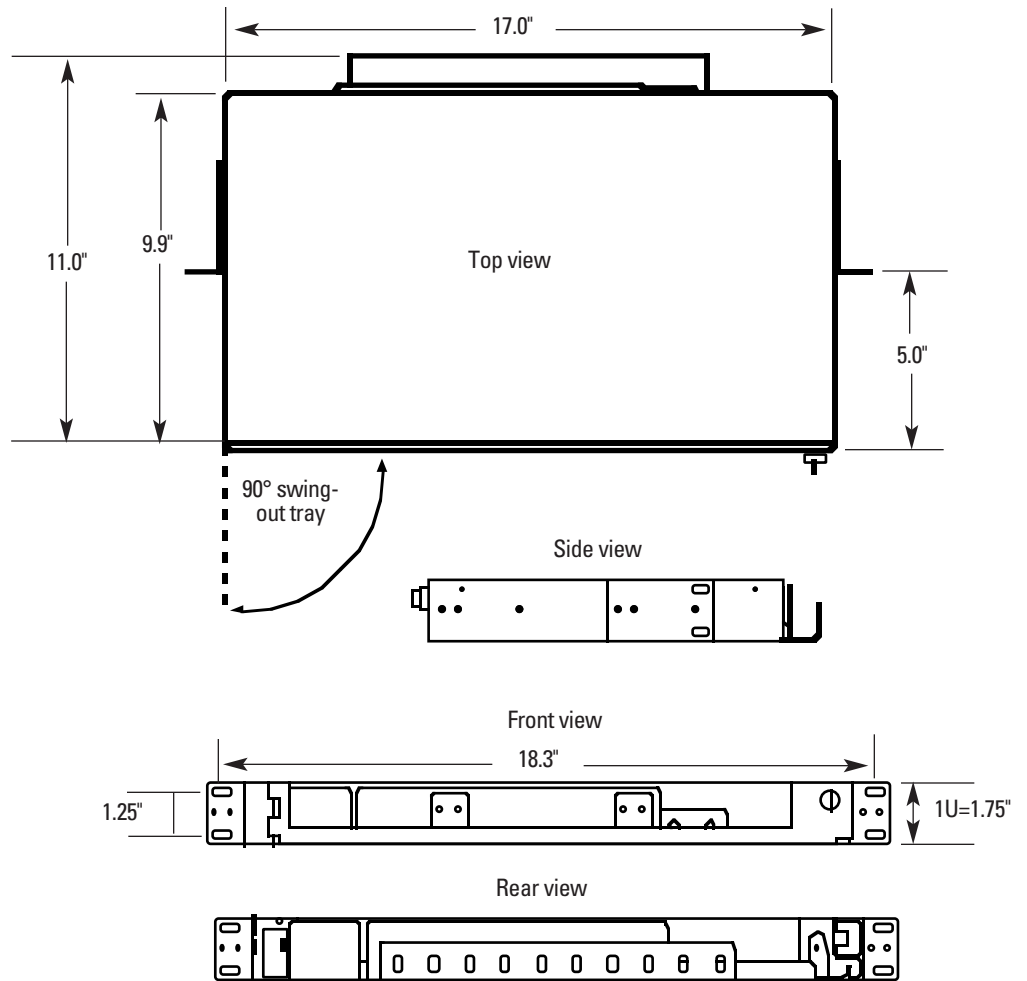
**The Fibre Wall Cabinet (JPM400A) accepts a mix of two adapter panels.**



**The Fibre Wall Cabinet (JPM401A) accepts a mix of four adapter panels.**



**The Rackmount  
Fibre Shelf  
(JPM407A) accepts  
a mix of three  
adapter panels.  
And it's only  
1U high!**



## **Ordering Information**

<b>ITEM</b>	<b>CODE</b>
Fibre Wall Cabinets, Unloaded	
Open	
12-Port (Accepts 2 Adapter Panels) .....	JPM400A
24-Port (Accepts 4 Adapter Panels) .....	JPM401A
Lock-Style	
24-Port (Accepts 4 Adapter Panels) .....	JPM402A
72-Port (Accepts 12 Adapter Panels) .....	JPM403A
Rackmount Fibre Panel, 72-Port, 3U (Accepts 12 Adapter Panels) .....	JPM406A
Rackmount Fibre Shelf, 18-Port, 1U (Accepts 3 Adapter Panels) .....	JPM407A
Adapter Panels, Snap-In, 6 Connectors Each	
ST .....	JPM404A
SC .....	JPM405A
Blank .....	JPM408A
MT-RJ .....	JPM409A
LC .....	JPM410A