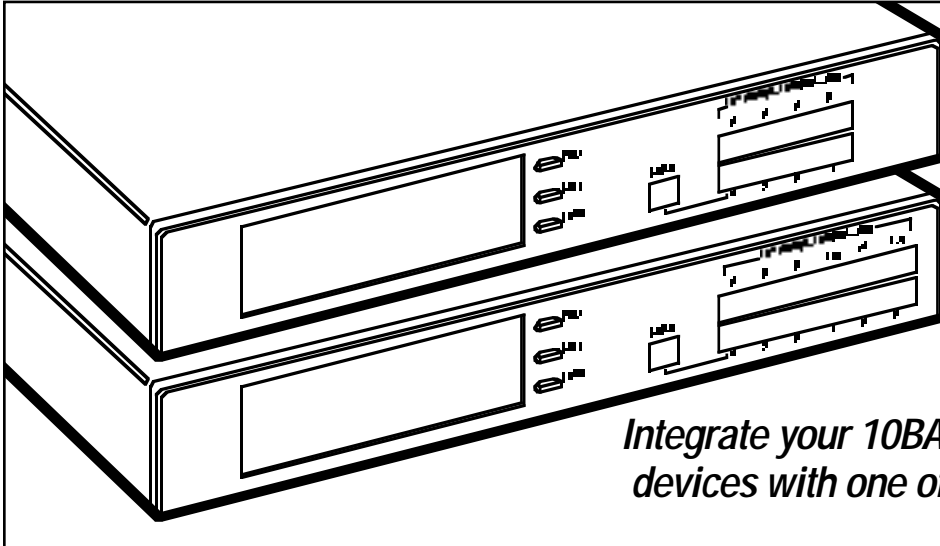


# BLACK BOX<sup>®</sup>

## NETWORK SERVICES

### DUAL-SPEED SWITCHES



*Integrate your 10BASE-T and 100BASE-T devices with one of our smart switches.*

#### Key Features

- ▶ **Flexible network design: mix 10- and 100-Mbps Ethernet.**
- ▶ **Smart mini-console on the front panel features an easy-to-read display.**
- ▶ **Smart port setting, network monitoring, and switching functions.**
- ▶ **10-port model is upgradable to 26 KB with the Memory Expansion Module.**
- ▶ **Easy-to-use configuration menus.**

Integrating 10BASE-T and 100BASE-T Ethernet segments has never been easier! Choose the Dual-Speed Switches from Black Box. Three models are available:

- 10-port (LH7010A) has two 10/100BASE-TX ports and eight 10BASE-T ports. You can optionally upgrade the memory on this switch to 26 KB with the Memory Expansion Module (LE7011A).
- 8-port (LH7008A) features 8 10/100BASE-TX ports with one shared uplink and one shared MII port.
- 12-port (LH7012A) has 12 10/100BASE-TX ports with one shared uplink and one shared MII port.

All three models feature a mini-console with a Vacuum Fluorescent Display (VFD) panel providing text and graphic

information. Via the mini-console, you can configure devices, manage devices/ports, and monitor network statistics. Easy menus on the mini-console guide you. What's more, the mini-console provides operating statistics for all the ports. And only three keys on the front panel perform all the console's functions.

Other features of the switches include:

- Mix and match 10- and 100-Mbps devices on your network. Choose the port density and port types to suit your application.
- Smart port setting using the mini-console enables/disables ports, selects speeds (choose 10 Mbps, 100 Mbps, or autonegotiation), and selects full-/half-duplex and store-and-forward/cut-through switching mode.

- Smart network monitoring reads traffic utilization levels and collision ratio, and maintains various statistics counters for all the ports that can be read whenever required.

- Smart switching functions include automatic loop detection, broadcast storm detection and elimination, flow control to prevent any packet loss, and self-diagnostics and watchdog protection.

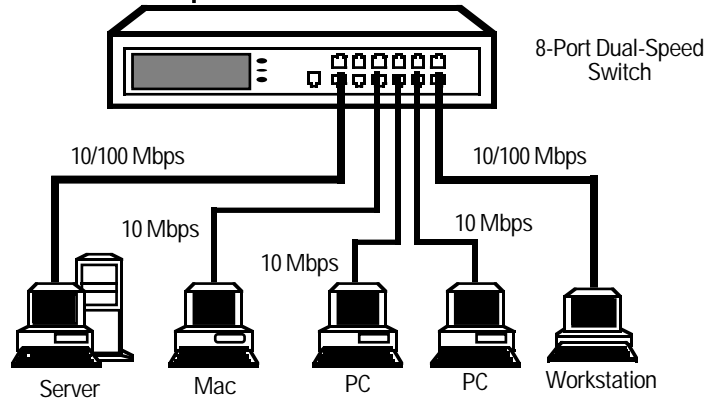
- Unmatched price/performance.

The 8- and 12-port models also offer these features:

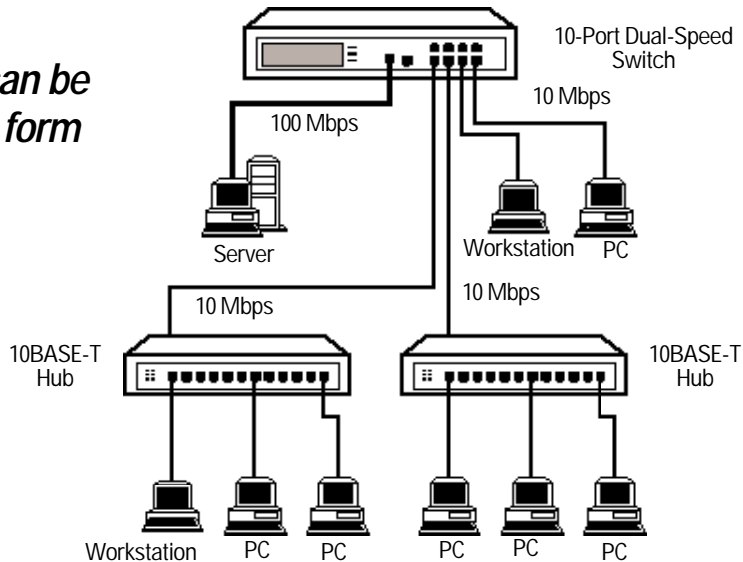
- One shared uplink port for flexible backbone integration.
- Fully non-blocking architecture using high-bandwidth SSRAM memory.

# Mix and match 10- and 100-Mbps with the Dual-Speed Switches.

*Figure 1 shows the Dual-Speed Switch in a client-server topology.*



*Figure 2 shows how hubs can be connected to the Switch to form a larger network.*



## Specifications

**Standards** — IEEE 802.3 10BASE-T Ethernet, IEEE 802.3u 100 BASE-TX Fast Ethernet

**Memory** — LH7010A: 1 MB, expandable to 4 MB; LH7008A, LH7012A: 1 MB

**Indicators** — Vacuum fluorescent display

**Connectors** —  
LH7008A: (8) RJ-45 autosensing 10/100BASE-TX, (1) MII, (1) MDI-II Uplink port shared with Port 1;

**Connectors (continued)** —  
LH7010A: (8) RJ-45 10BASE-T, (2) RJ-45 autosensing 10/100BASE-TX, (1) MII, (1) expansion slot for memory module;  
LH7012A: (12) RJ-45 autosensing 10/100BASE-TX, (1) MII, (1) MDI-II Uplink port shared with Port 1

**Power** — 90- to 240-VAC, 50- to 60-Hz internal power supply

**Size** — 5.6H x 29.7W x 19.3D cm (2.2"H x 11.7"W x 7.6"D)

**Weight** — 1.5 kg (3.3 lb.)

## Ordering Information

ITEM	CODE
<b>Dual-Speed Switches</b>	
8-Port .....	LH7008A
10-Port .....	LH7010A
12-Port .....	LH7012A
<i>To expand memory in the LH7010A, order...</i>	
Memory Expansion Module .....	LH7011A