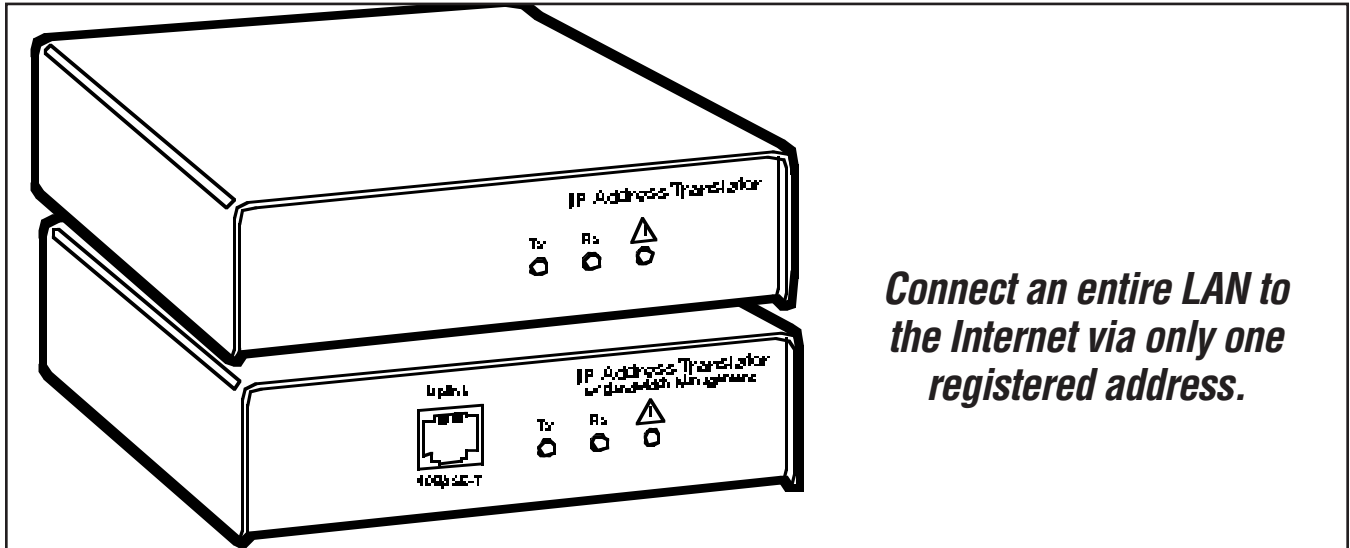




BLACK BOX[®]

NETWORK SERVICES

IP ADDRESS TRANSLATORS



Connect an entire LAN to the Internet via only one registered address.

Key Features

- ▶ **Built-in Internet security.**
- ▶ **Simple to connect, without interrupting service.**
- ▶ **Compact and inexpensive.**
- ▶ **Implements very fast packet forwarding.**
- ▶ **Requires password for system configuration access.**
- ▶ **Hides all internal hosts from the outside world and prevents unauthorized access from the Internet.**

Now an entire LAN can access the Internet via a single Ethernet interface with the IP Address Translator. Simply configure a single IP address on the unit that is shared among workstations on the network, and connect to the LAN without interrupting service. And you can still use non-registered addresses within the LAN—each device can access the Internet.

The IP Address Translator is available with or without bandwidth management.

The IP Address Translator (LR0050A) offers these features:

- There's no operating system software to compromise, so your system is protected from unauthorized access.
- A built-in 10BASE-T Ethernet interface increases data throughput and compatibility, and implements very fast packet forwarding.

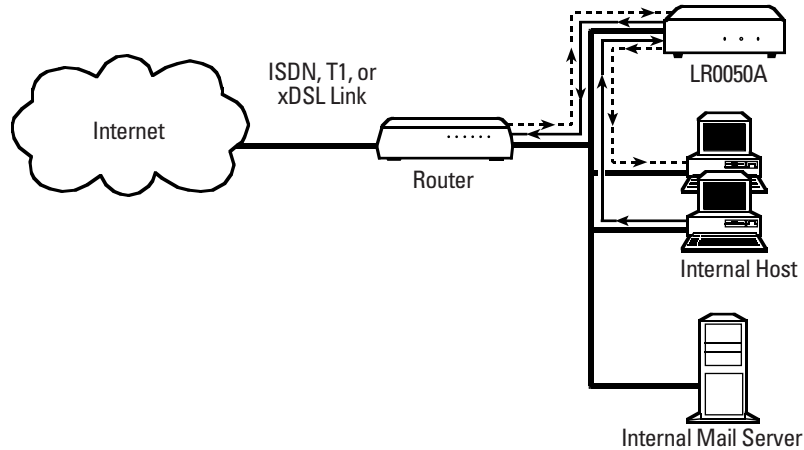
- Update remotely using TFTP, or locally using the console port.

The IP Address Translator with Bandwidth Management (LR0051A) offers these features:

- Uses the entire 10 Mbps of bandwidth to maximize your investment. The Translator uses a flexible IP window size to use the assigned bandwidth.
 - Uses SNMP for constant control and network monitoring over the network.
 - You can remotely manage the Translator via a password-protected Telnet session.
 - Lets you segment LANs into smaller, fully secure segments with slower connections.
 - Improves manageability and control via NAT, DHCP, and bandwidth management.
- Flash ROM software upgrades via TFTP or the console port.
 - Packets internal to the company will not leave the company, so they won't occupy bandwidth on the shared segment.
 - Broadcast or multicast packet filtering reduces the amount of traffic flow not needed and gives you better bandwidth utilization.

Manage Internet traffic via a single address.

Internet traffic from the WAN router first goes to the IP Address Translator, then goes to the internal host. Traffic from the internal host first goes to the IP Address Translator, then to the WAN router to the Internet.



Specifications

Protocols—Both: ARP, IP, UDP, TCP, Telnet, TFTP; LR0051A: ICMP, DHCP, SNMP

Connectors—Both: (1) DB9 RS-232 port; LR0050A: (1) RJ-45 (10BASE-T); LR0051A: (2) RJ-45 (10BASE-T)

Indicators—LEDs: (1) RX, (1) TX, (1) Error

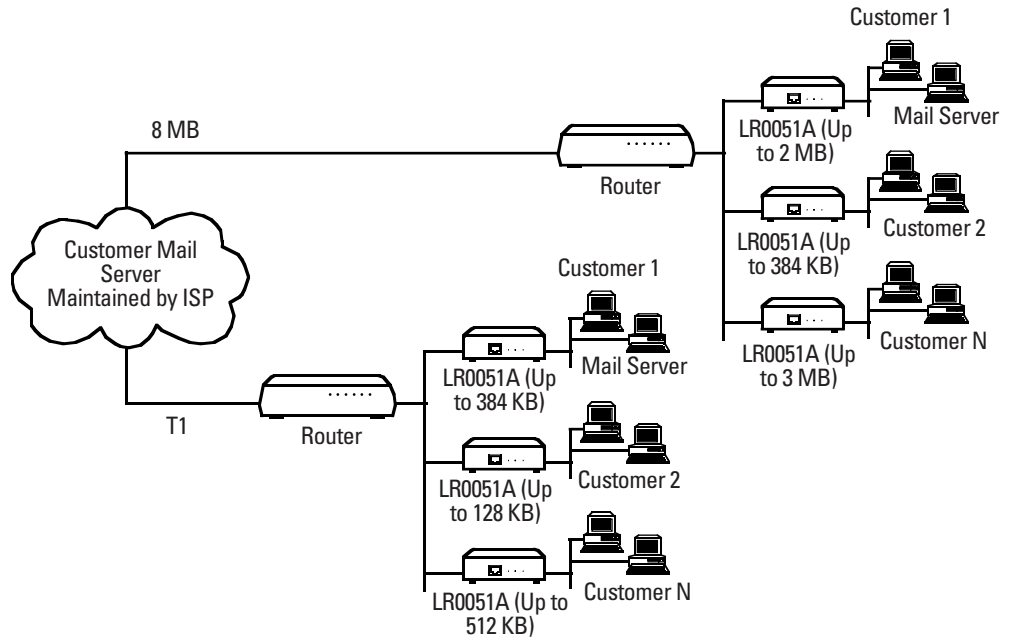
Temperature—Operating: 0 to 50°C; Storage: -40 to +70°C

Humidity—5 to 95%

Power—115 VAC, 60 Hz

Size—Chassis: 3.8 x 14 x 16.5 cm

Weight—0.7 kg



What's Included

- IP Address Translator or IP Address Translator with Bandwidth Management
- Power cord
- User's manual

Ordering Information

ITEM	CODE
IP Address Translator with Bandwidth Management.....	LR0051AE