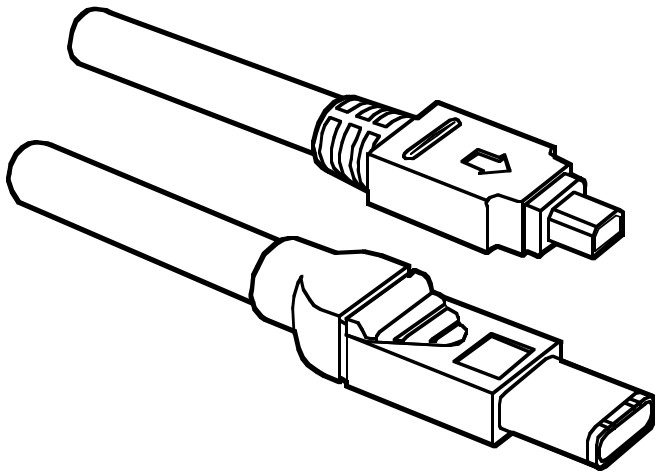


© 2000. All rights reserved.
Black Box Corporation.

BLACK BOX NETWORK SERVICES

FIREWIRE CABLE



Get blazing speed for your IEEE-1394 equipment...without getting burned.

Key Features

- ▶ **IEEE-1394 data speeds up to 393 Mbps.**
- ▶ **Ideal for heavy-load connections, including digital and video cameras and high-speed computer peripherals.**
- ▶ **Compatible with a wide range of IEEE-1394 equipment.**
- ▶ **Self-configuring for plug-and-play installation.**
- ▶ **No terminators needed.**
- ▶ **Daisychain up to 63 devices.**

FireWire, also known as IEEE 1394, is a hardware and software standard for transporting data at 100, 200, or 400 Mbps. It is a high-performance serial bus that was conceived to be a global interconnect similar to the Universal Serial Bus (USB) but with higher data speeds.

Major advantages of FireWire technology over other interconnect technologies are its strong multimedia orientation, plug-and-play functionality, hot-swappable connections, and ability to deliver multiple data streams via isochronous (real-time) data support.

FireWire Cable provides an easy and economical means of connecting IEEE-1394 devices. These include electronic devices (such as digital and video cameras, video/audio editing systems, and home entertainment systems) and computer peripherals (such as hard disk drives, removable floppy and CD/DVD drives, high-speed scanners, and colour printers).

The 4-Pin to 4-Pin Cable connects two IEEE-1394 devices that don't require source power, like two digital cameras. The 6-Pin to 4-Pin Cable serves as an adapter from a host or hub, like your PC, to equipment that doesn't require source power, such as a digital camera. For connections from your PC (a host or hub) to a peripheral that may require source power, like an external

drive, use the 6-Pin to 6-Pin Cable.

FireWire Cable has two shielded twisted pairs for data signaling and two power conductors. Hot-swapping is possible because the power-contact pins in the connectors mate before the signal-contact pins do. Also, the entire cable is shielded.

IEEE-1394 connectors are flexible yet durable due to their fully-molded heads, and they have no terminators or manual IDs to set. Plus, the cable's PVC construction makes it super-flexible.

FireWire Cable has the ability to transfer either compressed or uncompressed digital video signals as well as other high-bandwidth signals.

Specifications

Conductors — (2) twisted pairs, 28 AWG; (2) power (on 6-pin cables only), 22 AWG

Shielding — Aluminum foil and TC braid on each twisted pair and overall cable

Jacket — PVC

Power — 8 to 40 V, 1.5 A max to remote devices

Ordering Information

ITEM	CODE
FireWire Cable, PVC, Male/Male	
4-Pin to 4-Pin	
2-m.(6.5-ft.).....	BC001396-002M
3-m.(9.8-ft.).....	BC001396-003M
4.5-m (14.7-ft.).....	BC001396-005M
6-Pin to 4-Pin	
2-m.(6.5-ft.).....	BC001395-002M
3-m.(9.8-ft.).....	BC001395-003M
4.5-m (14.7-ft.).....	BC001395-005M
6-Pin to 6-Pin	
1-m.(3.3-ft.).....	BC001394-001M
2-m.(6.5-ft.).....	BC001394-002M
3-m.(9.8-ft.).....	BC001394-003M
4.5-m (14.7-ft.)	BC001394-005M