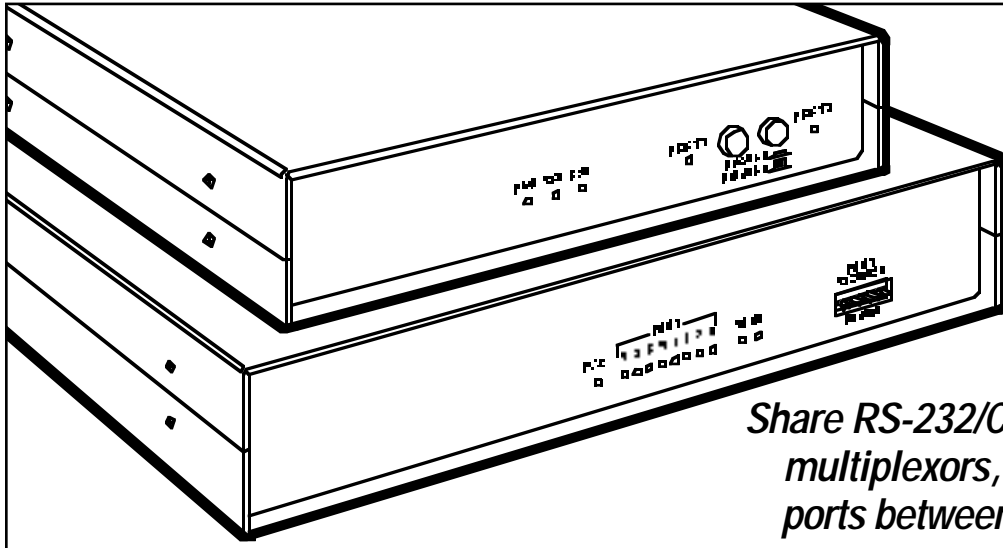




# BLACK BOX<sup>®</sup>

## NETWORK SERVICES

### MULTIPOINT MODEM SHARING DEVICES



*Share RS-232/CCITT V.24 modems, multiplexors, host or computer ports between 2 or 8 terminals.*

#### Key Features

- ▶ **Share 1 port between 2 or 8 sub-channels.**
- ▶ **No crossover cables are required between devices, thanks to an internal DCE/DTE switch for configuring the master port.**
- ▶ **Operates in sync or async mode.**
- ▶ **Works with dialup or leased-line modems.**
- ▶ **Diagnostic indicators tell you status at a glance.**
- ▶ **Cascade units for more than 8 sub-channel connections.**

With the Multiport Modem Sharing Devices, two or eight sub-channels can share one modem or port.

You can configure the master port for use with a modem, multiplexor, or computer port via an internal DCE/DTE switch, eliminating the need for crossover cables between devices.

The Modem Sharing Device is sure to fit your application, since it operates in either sync or async mode. In sync mode, timing is derived from either the master port, sub-channel one, or internally. For more information about timing, see the **Technically Speaking** section on page 2.

And because the Data Terminal Ready (DTR) control signals from the terminal are passed through, you can use the Sharing Device with dialup or leased-line modems.

Front-panel LEDs indicate active sub-channel, power, and data activity.

Here's how it works: all sub-channels contend for the master port by raising the Request to Send (RTS) signal. The device sends the Clear to Send (CTS) signal back to the sub-channel when it's connected to the master port. All other ports are locked out until the contending port lowers the RTS signal.

You can configure the Sharing Device to broadcast to all terminals or only to the contending terminal. In broadcast mode, all ports can receive data from the master port at the same time, which is ideal in polled applications.

To connect more than eight sub-channels to one modem or port, simply cascade Multiport Modem Sharing Devices.

#### Typical Application

- Share a dialup or leased-line modem between two controllers.
- Share a multiplexor or computer port among up to eight terminals or controllers.

# Why Buy From Black Box? Exceptional Value. Exceptional Tech Support.

Recognise any of these situations?

- You wait more than 30 minutes to get through to a vendor's tech support.
- The so-called "tech" can't help you or gives you the wrong answer.
- You don't have a purchase order number and the tech refuses to help you.

According to a survey by Data Communications magazine, 90% of network managers surveyed say that getting the technical support they need is extremely important when choosing a vendor. But even though network managers pay anywhere from 10 to 20% of their overall purchase

price for a basic service and support contract, the technical support and service they receive falls far short of their expectations—and certainly isn't worth what they paid.

At Black Box, we guarantee the best value and the best support. You can even consult our Technical Support Experts before you buy if you need help selecting just the right component for your application.

Don't waste time and money—call Black Box today.

# Technically Speaking

The Multiport Modem Sharing Device operates automatically.

- It automatically switches between RS-232/CCITT V.24 interface ports by monitoring the Request to Send leads from the terminals it's connected to.

• The Device derives timing (clocking) for synchronous data from one of three sources:

1. External from the device connected to the master port,
2. Internal up to 38.4 kbps, or
3. External sub-channel 1 via pin 24 from the connecting terminal.

# Specifications

**Line Type:** Point-to-point or multipoint

**Operation:** Half- or full-duplex

**Speed:** Async: Up to 64 kbps; Sync: Internal up to 38.4 kbps, external up to 64 kbps

**Interface:** Subchannels: RS-232 (DCE); Master Port: RS-232 (DTE/DCE)

**Connectors:** 33821: (3) DB25 female; 32457: (9) DB25 female

**Indicators:** Power, Transmit, Receive, and Ports 1–2 or Ports 1–8

**Power:** 115 VAC, 60 Hz

**Size:** 33821: 4.3H x 25.4W x 16.5D cm (1.7"H x 10"W x 6.5"D); 32457: 4.8H x 32.5W x 24.1D cm (1.9"H x 12.8"W x 9.5"D)

**Weight:** 33821: 1.4 kg (3 lb.); 32457: 1.7 kg (3.8 lb.)

# Ordering Information

| ITEM                                 | CODE           |
|--------------------------------------|----------------|
| Multiport Modem Sharing Devices      |                |
| 2-Port .....                         | 33821          |
| 8-Port .....                         | 32457          |
| <i>You may also want to order...</i> |                |
| RS-232 Cables .....                  | ECM25C         |
| Modem 3600 .....                     | MD1000A-CABPAK |