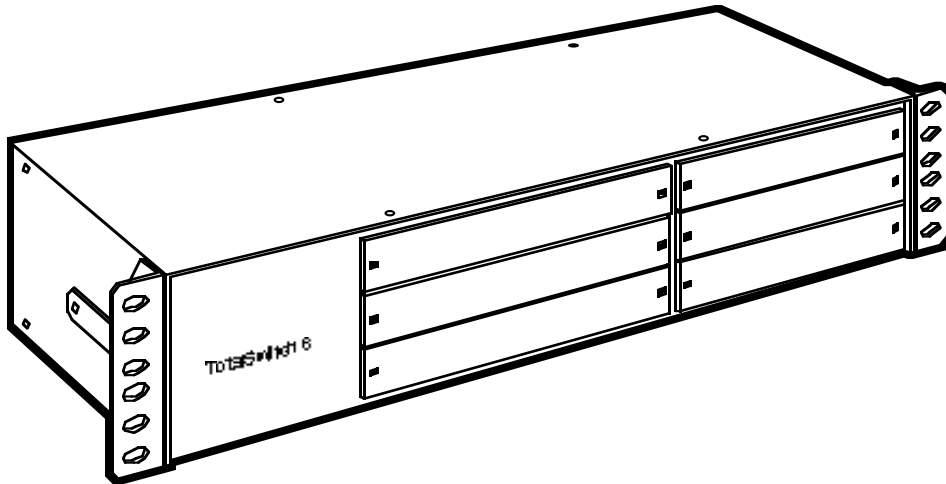


# BLACK BOX<sup>®</sup>

## NETWORK SERVICES

### TotalSwitch 6



*No matter where your LAN goes, the TotalSwitch will go with it.*

#### Key Features

- ▶ *Everything's modular, so it grows with your network.*
- ▶ *Fiber, twisted-pair, or BNC connections.*
- ▶ *10-mbps and 100-mbps modules.*
- ▶ *Up to 80 ports (depending on the modules you choose).*
- ▶ *Combine different kinds of modules for total flexibility.*

**Y**ou don't know where your network is going tomorrow.

You'll probably upgrade to 100 mbps, at least on some critical segments. You might use fiber for part of it. Or you might not. Who can tell what will seem like a good idea a year from now?

So if you need a LAN switch now, how are you going to pick one that won't be obsolete next month?

#### Modular design to the rescue

Here's your answer. The TotalSwitch 6 system is completely modular. However your network grows in the future—or however diverse it is now—the TotalSwitch 6 has the connections for it. Just drop in the modules you need.

Do you have an old ThinNet segment still

chugging away? No problem. Is part of your network fiberoptic? No problem. Are you planning a major high-speed upgrade in the drafting department? No problem.

For either 10-mbps or 100-mbps segments, you can choose just about any kind of connection you need:

- 10BASE-T RJ-45
- 10BASE2 BNC
- Multimode fiberoptic, ST<sup>®</sup> or SC
- Single-mode fiberoptic, ST or SC

- 10BASE-T and fiber
- 100BASE-TX RJ-45
- 100BASE-FL fiber, ST or SC
- 100BASE-FX fiber, ST or SC

#### 10 mbps or 100 mbps? How about both?

The TotalSwitch 6 can hold up to five 10-mbps modules, plus a Bridge Module with two 100-mbps modules. That means you can add high-speed segments for critical applications—and still give those segments access to the rest of your network.

#### Typical Application

*You need network switching now, but you can't afford to spend money on equipment that goes out of date in a year. With the totally modular TotalSwitch 6, you can keep up as your network evolves.*

Modular design is more than flexible—it's economical, too. You pay only for capabilities you need.

## Specifications

### Chassis:

**Module Capacity** —  
 (5) 10-mbps modules and  
 (1) Bridge Module with  
 (2) 100-mbps connector  
 modules

**Power** — 95 to 240 VAC, 60  
 or 50 Hz, 0.7 or 0.35 A)

**Temperature Tolerance** —  
 Operating: 0 to 40° C;  
 Storage: -6 to +71° C

**Humidity Tolerance** — 5 to  
 95% (noncondensing)

**Maximum Heat  
 Generated** —  
 320 Btu/hour

**Size** — 8.9 × 44.5 × 17.1 cm

**Shipping Weight** — 5 kg

### Bridge Module:

**Standard** — IEEE 802.3

**Modes Supported** — Half-  
 or full-duplex

**Number of Ports** — 2  
 (requires two connector  
 modules)

### Modules:

**Connectors** — Choose  
 modules with any of  
 these connectors:

**Copper:** RJ-45  
 (10BASE-T); RJ-45  
 (100BASE-TX); BNC  
 (10BASE2)

**Fiber:** ST, SC

See the Ordering  
 Information at right for  
 complete connector  
 specifications.

## Additional equipment you may need:

- Category 3 Cable (EYN734MS)
- Category 5 Cable (EVNSL85)
- Terminated Fiber Optic Cable with ST Connectors (EFN062-MM)
- Terminated Fiber Optic Cable with SC Connectors (EFN4025)

## Ordering Information

This information will help you place your order quickly.

PRODUCT NAME	ORDER CODE
<i>First, order the chassis...</i>	
TotalSwitch 6 Chassis.....	LB6000A
<i>Then order the 10-mbps modules you need...</i>	
(8) 10BASE-T RJ-45 Connectors .....	LB6010-TP8
(4) BNC Connectors.....	LB6010-BNC4
(4) Multimode Fibre ST Connectors.....	LB6011-FO
(4) Multimode Fibre SC Connectors .....	LB6011-FOSC
(4) Multimode 1300-nm Fibre ST Connectors.....	LB6012-FO
(4) Multimode 1300-nm Fibre SC Connectors.....	LB6012-FOSC
(4) Single-Mode Fibre ST Connectors.....	LB6013-FO
(4) Single-Mode Fibre SC Connectors .....	LB6013-FOSC
(4) Single-Mode Fibre Plus ST Connectors.....	LB6013P-FO
(4) Single-Mode Fibre Plus SC Connectors .....	LB6013P-FOSC
(4) 10BASE-T and (2) Multimode Fibre ST Connectors.....	LB6014-TPFO
(4) 10BASE-T and (2) Multimode Fibre SC Connectors .....	LB6014-TPFOSC
(4) 10BASE-T and (2) Multimode 1300-nm Fibre ST Connectors .....	LB6015-TPFO
(4) 10BASE-T and (2) Multimode 1300-nm Fibre SC Connectors.....	LB6015-TPFOSC
(4) 10BASE-T and (2) Single-Mode Fibre ST Connectors.....	LB6016-TPFO
(4) 10BASE-T and (2) Single-Mode Fibre SC Connectors.....	LB6016-TPFOSC
(4) 10BASE-T and (2) Single-Mode Plus FibreST Connectors.....	LB6016P-TPFO
(4) 10BASE-T and (2) Single-Mode Plus Fibre SC Connectors .....	LB6016P-TPFOSC
<i>If you need 100-mbps connections, order the Bridge Module...</i>	
Bridge Module (requires two of the 100-mbps modules below).....	LB6100
<i>...and two 100-mbps connector modules:</i>	
(1) Autosensing 10-100-mbps RJ-45 Connector.....	LB6101-TX
(1) Multimode Fibre ST Connector .....	LB6102-FX
(1) Multimode Fibre SC Connector .....	LB6102-FXSC
(1) Single-Mode Fibre ST Connector .....	LB6103-FX
(1) Single-Mode Fibre SC Connector.....	LB6103-FXSC
(1) Single-Mode Fibre Plus ST Connector .....	LB6103P-FX
(1) Single-Mode Fibre Plus SC Connector .....	LB6103P-FXSC