

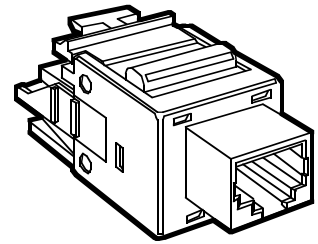
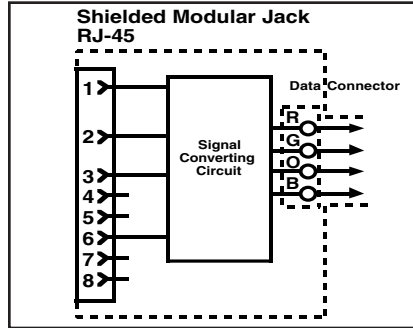
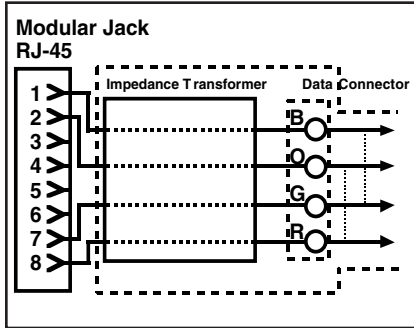


BLACK BOX[®]

NETWORK SERVICES

ATM 155-Mbps Baluns

Connect your ATM 155-Mbps hub to your existing IBM cabling system—and avoid costly, unnecessary cable replacement.



Electrical diagrams for the FJ025 (left) and FJ026 (right).

Key Features

- ▶ Allows the connection of an ATM 155-Hub or adapter card with RJ-45 ports to an existing IBM cabling system.
- ▶ Eliminates the need for replacing your entire cabling system with UTP/STP cable.
- ▶ Matches impedances of an RJ-45 terminated cable and a 150-ohm STP cable for frequencies of up to 155 Mbps.
- ▶ High performance: 0.5-dB insertion loss from 0.1 to 100 MHz.
- ▶ Less than -40 dB crosstalk at 100 MHz.

Why Buy from Black Box? Exceptional Value. Exceptional Tech Support. Period.

Recognize any of these situations?

- You wait more than 30 minutes to get through to a vendor's tech support.
- The so-called "tech" can't help you or gives you the wrong answer.
- You don't have a purchase order number and the tech refuses to help you.
- It's 9 P. M. and you need help, but your vendor's tech support line is closed.

According to a recent survey by Data Communications magazine, 90% of network managers surveyed say that getting the technical support they need is extremely important when choosing a vendor. But even

though network managers pay anywhere from 10 to 20% of their overall purchase price for a basic service and support contract, the technical support and service they receive falls far short of their expectations—and certainly isn't worth the £7,142 to £71,428 they paid.

At Black Box, we guarantee the best value and the best support. You can even consult our Technical Support Experts before you buy if you need help selecting just the right component for your application.

Don't waste time and money—call Black Box **TECH SUPPORT** today.

For these and other components...

Call our expert Technical Support Staff for all your Cabling and Connector needs. They'll help you find the best equipment for your application.

Ordering Information

This information will help you place your order quickly.

PRODUCT NAME	ORDER CODE
ATM 155-Mbps Baluns	
UTP	FJ025
STP	FJ026

Remember to order cables....

CAT5 350 Patch Cable, 4-Pair, RJ-45	
STP	EVNSL60
UTP	EVNSL85