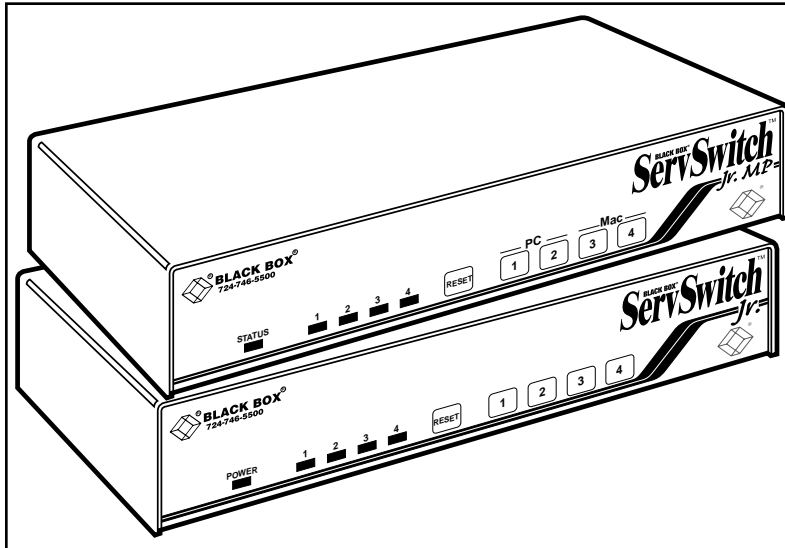




BLACK BOX[®]

NETWORK SERVICES

SERVSWITCH JR. • SERVSWITCH JR. MP



Manage a few IBM PS/2 or PC/AT compatible CPUs—plus one or two Mac CPUs—using a single keyboard, monitor, and mouse.

Key Features

ServSwitch Jr.:

- ▶ **Access up to 8 IBM PC/AT or PS/2 type CPUs with a single monitor, PS/2 or PC/AT keyboard, and PS/2 or serial mouse.**

ServSwitch Jr. MP:

- ▶ **Access one or two IBM type CPUs and one or two Mac CPUs with a single monitor, PS/2 keyboard, and PS/2 mouse.**

Both Models:

- ▶ **Use any of a variety of video types at resolutions up to 1600 x 1280.**

If you'll only need to switch between up to eight PCs or servers for the foreseeable future, why spend a fortune on an electronic keyboard/video/mouse switch with a myriad of ports or fancy cascading features?

Our ServSwitch™ Jr. is just right for small-scale applications such as workgroups, small offices, or home offices. Use one monitor, keyboard, and mouse to control IBM® PC compatible (and, on MP models, Apple® Macintosh® compatible) computer or server CPUs.

With the ServSwitch Jr. (non-MP version), access either two IBM type CPUs (with the SW621A-R2) or as many as eight (with the SW629A-R2). With the ServSwitch Jr. MP, access one IBM type CPU and one Mac® type CPU (with the SW627A-R2) or one or two of each type (with the SW628A-R2).

Setting up is easy. Using their own cables, plug your VGA or XGA® monitor, keyboard, and mouse directly into the ServSwitch Jr. Attach each of the computers to the switch using a special CPU adapter cable that has a single connector on the switch end and three connectors (for keyboard, mouse, and video I/O) on the computer end. These CPU adapter cables help keep cabling simple; also, the coax versions can be run longer distances than normal keyboard, mouse, or video cable.

As long as you use the right type of CPU adapter cable, it doesn't matter what general type of keyboard and mouse any given IBM type computer uses. As for user-station equipment, use a regular or wheel-type PS/2® mouse and PS/2 keyboard with the ServSwitch Jr. MP. With the regular ServSwitch Jr., attach

either a PS/2 or PC/AT® style keyboard and either a PS/2 mouse (regular or wheel type) or (if there are no PS/2 type CPUs attached) an RS-232 mouse. Except for RS-232 mouse input to PS/2 mouse output, the switch can perform all of the various conversions internally.

The switch also seamlessly handles VGA, SVGA, or XGA video at resolutions up to 1600 x 1280 pixels, although higher resolutions, refresh rates, or distances will require coaxial CPU adapter cables. On non-MP models, using coaxial cables will also give you the ability to display RS/6000™ or SGI™ video. On MP models, to get Mac video in resolutions above 640 x 480 pixels, you'll need the Mac Adapter for ServSwitch (KV99MA).

To switch between CPUs, either press the port-selection buttons on the switch's front

panel or send switching commands from the shared keyboard. (Other keyboard commands control port scanning and configuration functions.

Configuration settings can be saved in nonvolatile memory, so they'll be preserved even if the switch loses power.)
The ServSwitch Jr. doesn't

even have to be plugged in—it draws its power from the keyboard and mouse interfaces of the attached CPUs, while the ServSwitch Jr. MP has its own

external power supply. And both are small enough to fit on a cramped desktop or even in one rack unit (rackmount kits are available).

Specifications

Compliance: FCC Part 15 Subpart B Class A, IC Class/classe A

Distance (Maximum):

Depending on the CPU, monitor, and video resolution, *either*:

20 ft. (6.1 m) of original Serv cable from ServSwitch Jr. to any CPU;

or

50 ft. (15.2 m) of coaxial cable—possibly more, depending on CPUs—from any ServSwitch Jr. to any device attached to it

Refresh Rate: Up to 100 Hz

Resolutions (Maximum):

With original Serv cabling: 1024 x 768 noninterlaced, at up to 75 Hz;

With coaxial or special cabling: 1600 x 1280 noninterlaced, at up to 100 Hz;

On MP models: Mac resolutions other than 640 x 480 might require optional Mac Adapter for ServSwitch (KV99MA)

Standards:

With original Serv cabling: VGA (color, monochrome, or page white);

With original Serv cabling (minimal) or coaxial cabling (recommended): SVGA video;

With coaxial cabling: XGA (color or monochrome) video; Non-MP models: RS/6000™ or SGI™ video;

With special cabling: True monochrome video;

MP models: Apple® Macintosh® video

User Controls:

Keyboard commands;
Front-mounted RESET and numbered port-selection pushbuttons

Interfaces: To user station:

All models: VGA/SVGA/XGA® video; IBM® PS/2® keyboard and mouse (including Microsoft® IntelliMouse®); SW621A-R2, SW622A-R2: PC/AT® keyboard; IBM serial (TIA/EIA RS-232 pinned as TIA-574) mouse;

To computer:

All ports on regular models and PC ports on MP models: Proprietary composite of VGA/SVGA/XGA video; PS/2 or (with adapter) PC/AT keyboard; PS/2 or (with adapter) serial (TIA/EIA RS-232 pinned as TIA-574) mouse; Mac® ports on MP models: Proprietary composite of Apple Macintosh video, keyboard, and mouse

Connectors: All rear-mounted;

All models:
VGA monitor port: HD15 F;
PS/2 keyboard and PS/2 mouse ports: 6-pin mini-DIN F;
Computer ports: DB25 F;
SW621A-R2, SW622A-R2: AT keyboard port: 5-pin DIN F;
RS-232 mouse port: DB9 M;
SW627A-R2, SW628A-R2, SW629A-R2: 3.5-mm barrel jack for external power

Indicators:

All models: Front-mounted switch power STATUS and numbered current-port LEDs; SW629A-R2: CPU power

Temperature Tolerance:

32 to 131°F (0 to 55°C)

Humidity Tolerance:

5 to 80% noncondensing

Altitude (Maximum):

10,000 ft. (3048 m)

Enclosure: Steel

Power:

SW621A-R2, SW622A-R2: 5 VDC at up to 1 amp from keyboard-power leads of attached CPUs;

SW627A-R2, SW628A-R2:

Either

5 VDC at up to 1 amp from keyboard-power leads of attached CPUs

or

From utility-power (mains) outlet through detachable input cord and included external power supply (PS255):

Input: 115–230 VAC at 50 or 60 Hz;
Output: 5 VDC at up to 1 amp;

SW629A-R2:

Either

5 VDC at up to 1 amp from keyboard-power leads of attached CPUs

or

From utility-power (mains) outlet through detachable input cord and external power supply PS255 (not included):

Input: 115–230 VAC at 50 or 60 Hz;
Output: 5 VDC at up to 1 amp

Size:

SW621A-R2, SW622A-R2, SW627A-R2, SW628A-R2: 1.75"H (1U) x 8.8"W x 3.5"D (4.4 x 22.4 x 8.9 cm);

SW629A-R2: 1.75"H (1U) x 13.8"W x 4.9"D (4.4 x 35.1 x 12.5 cm)

Weight:

SW621A-R2: Net: 1.5 lb. (0.7 kg);

Shipping: 2 lb. (0.9 kg);

SW622A-R2: Net: 1.6 lb. (0.7 kg);

Shipping: 2 lb. (0.9 kg);

SW627A-R2, SW628A-R2:

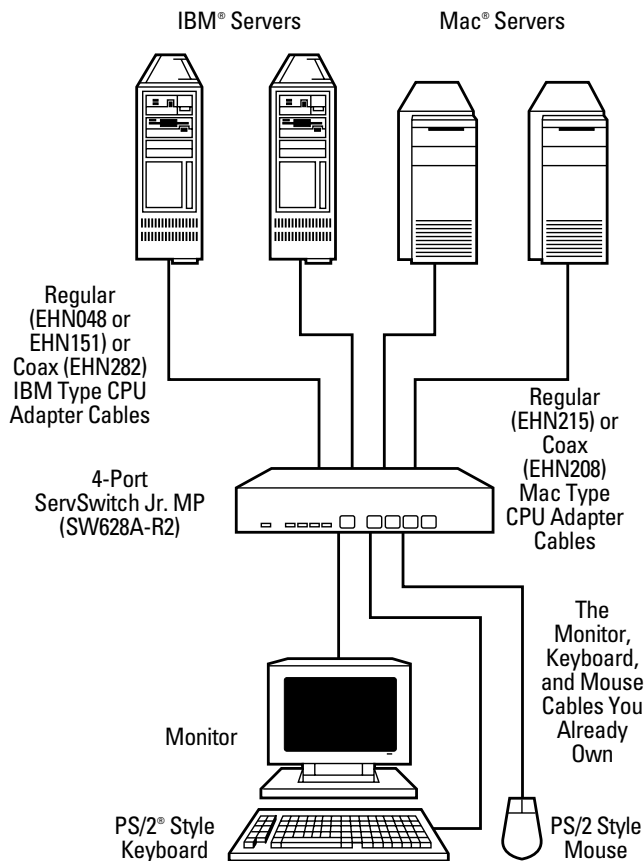
Net: 3 lb. (1.4 kg);

Shipping: 4 lb. (1.8 kg);

SW629A-R2: Net: 2.9 lb. (1.3 kg);

Shipping: 3.6 lb. (1.6 kg)

The layout of a typical ServSwitch Jr. system.



What's Included:

- The main unit.
- A user's manual.
- An external power supply (SW627A-R2 and SW628A-R2 only).

Additional Equipment You'll Need:

- An IBM®—preferably PS/2®—type keyboard and mouse. (If you use a PS/2 mouse, it can be a regular two- or three-button type or a "wheel" mouse such as the Microsoft® IntelliMouse®.
- A monitor compatible with all of the CPUs' video cards, capable of syncing to each CPU's video-output resolutions and frequencies.
- CPU Adapter Cables to connect your CPUs to the ServSwitch® Jr. or ServSwitch Jr. MP.

Ordering Information

ITEM	CODE
ServSwitch Jr. (PC Only)	
2-Port.....	SW621A-R2
4-Port.....	SW622A-R2
8-Port.....	SW629A-R2
ServSwitch Jr. MP	
2-Port (1 PC Port, 1 Mac Port).....	SW627A-R2
4-Port (2 PC Ports, 2 Mac Ports).....	SW628A-R2
<i>For optimum performance and a 20% savings, order...</i>	
<i>For PS/2:</i>	
Standard	
5-ft. (1.5-m).....	EHN151-0005
10-ft. (3-m).....	EHN151-0010
20-ft. (6.1-m).....	EHN151-0020
Coax	
50-ft. (15.2-m).....	EHN282-0050
<i>For AT:</i>	
Standard	
5-ft. (1.5-m).....	EHN048-0005
10-ft. (3-m).....	EHN048-0010
20-ft. (6.1-m).....	EHN048-0020
Coax	
50-ft. (15.2-m).....	EHN282-0050
<i>For Mac:</i>	
Standard	
10-ft. (3-m).....	EHN215-0010
Coax	
20-ft. (6.1-m).....	EHN208-0020
<i>You may also need...</i>	
Optional Power Supply for 8-Port ServSwitch Jr. ...	PS255
<i>For resolutions other than 640 x 480 with a Mac, you will need...</i>	
ServSwitch Mac Adapter	KV99MA