



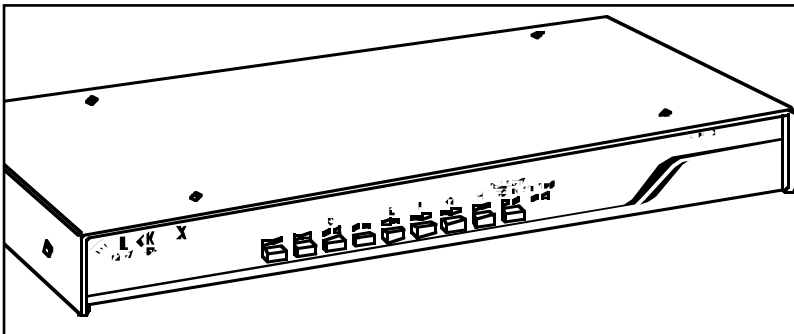
BLACK BOX[®]

NETWORK SERVICES

© 2003. All rights reserved.
Black Box Corporation.

Black Box Network Services • 464 Basingstoke Road • Reading, Berkshire, RG2 0BG • Tech Support: 0118 965 6000 • www.blackbox.co.uk • e-mail: techhelp@blackbox.co.uk

SERVSELECT[™]



Manage up to 64 IBM PS/2 or PC/AT compatible CPUs from a single mouse, keyboard, and monitor—with easy on-screen menus.

Key Features

- ▶ **Access up to 64 IBM PS/2 or AT type CPUs with a single keyboard, monitor, and mouse.**
- ▶ **Select CPUs, scan or configure ports, etc., with firmware-based on-screen display menus or with keyboard commands.**
- ▶ **Slim-line construction—the unit is only 4.5 cm high—allows easy placement or rackmounting.**
- ▶ **Use any of a variety of PS/2 compatible keyboards and mice.**
- ▶ **Use VGA, SVGA, XGA, or XGA-2 video at resolutions up to 1280 x 1024.**
- ▶ **“Pair” two ServSelects and switch between all 16 of their CPU ports or cascade as many as nine ServSelects to reach up to 64 CPU ports.**

Two IBM[®] servers—that's not too bad. Only two monitors to deal with, and two mice and keyboards. But four? Eight? More? How can you find the space? Keep them straight? Afford all their monitors? Or even manage the cabling without going insane?

Our ServSelects can help. They're electronic keyboard/video/mouse switches for IBM type computers. You can attach as many as 64 PS/2[™] or PC/AT[™] compatible CPUs to a set of ServSelects and use a single shared monitor, keyboard, and mouse to administer them all.

Cable management is also simpler. Plug the shared peripherals directly into the ServSelect, and connect all CPUs to the ServSelect with special three-way cables (our product code EHN056) that have a single standard DB25 male connector on one end. So, if you need to reorganize CPUs, it's a matter of plugging and unplugging single cables rather than three each. Also note that these special cables are universal—each one has the connectors necessary to

attach PS/2 or AT type CPUs or cascaded ServSelect units.

When you cascade units, you use up one CPU port on the “master” ServSelect for each extra unit you attach to it. To establish a system of no more than 16 CPU ports with just two ServSelects, you might want to “pair” the ServSelects instead of cascading them. This requires our ServSelect Cable Pairing Kit (product code EHN056-BOND). Please be aware that paired ServSelects cannot be cascaded.

Each ServSelect natively supports VGA and SVGA video; with a special adapter, it can handle XGA or XGA-2. ServSelects also support many makes of PS/2 and AT type keyboards and mice, including the Microsoft[®] Intellimouse[™]. See

Additional equipment... and Specifications on page 3.

One of the most exciting features of the ServSelect is its graphics overlay, which makes it possible to select CPUs by their names or addresses, configure or scan ports, set scan delay or order, and do many other tasks through firmware-based menus displayed on the shared monitor—no PC software needed. Alternatively, users can enter commands from the shared keyboard. For security purposes, you can define multiple user profiles with different levels of access and control.

The ServSelect is even thin enough to be mounted in 1U of rack space. Just get our ServSelect -R3 Rackmount Kit (product code RMK19K).

Typical Application

Minimise computer-room clutter—put your IBM compatible servers on a rack and use one shared keyboard, monitor, and mouse to manage them.

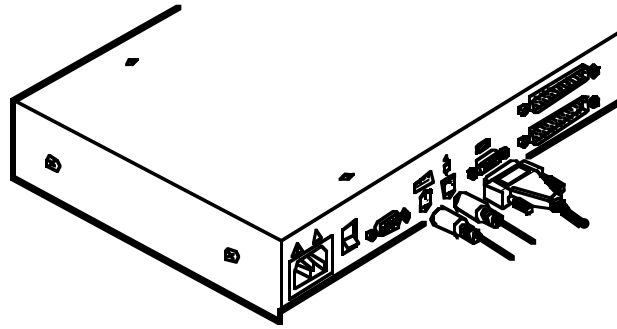
Cascade ServSelects to administer all of the PCs in a data center.



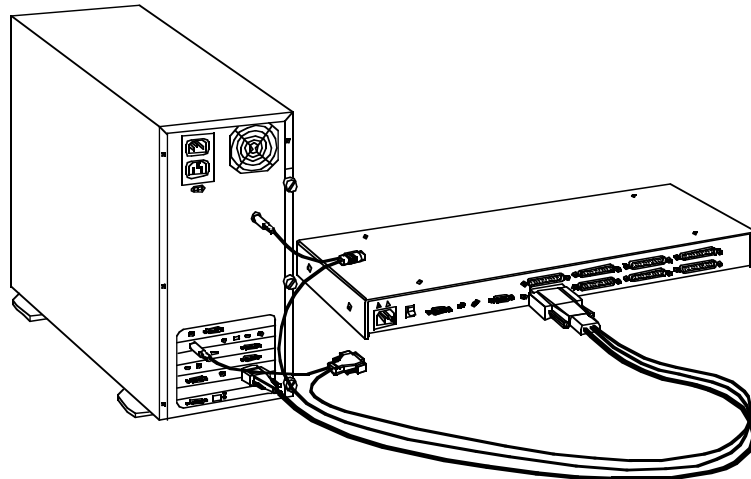
17862

To sign up for our monthly email newsletter, visit our website at www.blackbox.co.uk

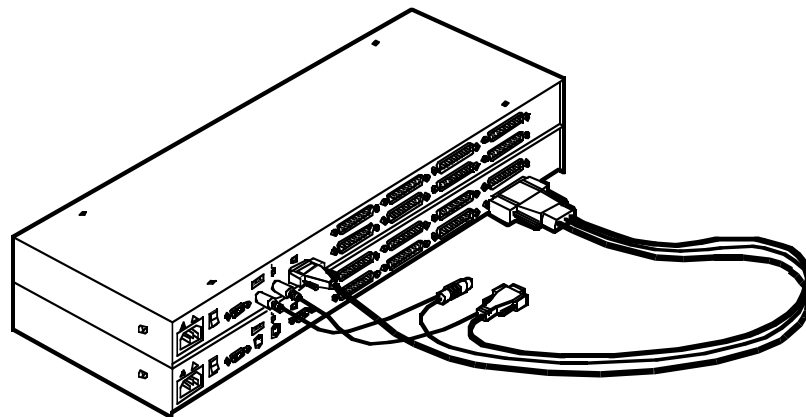
Plug the keyboard, monitor, and mouse directly into the ServSelect with their own cables...



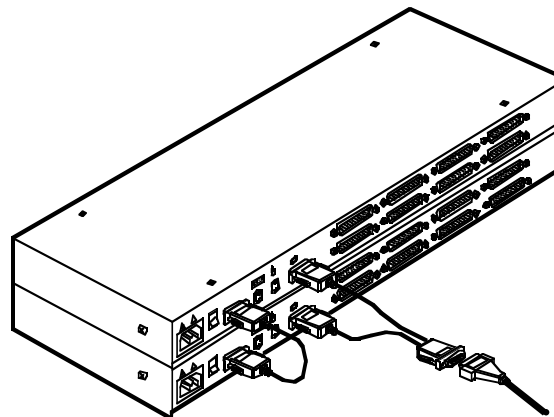
...while special universal cables make it easy to attach CPUs...



...or to cascade to as many as eight other ServSelects.



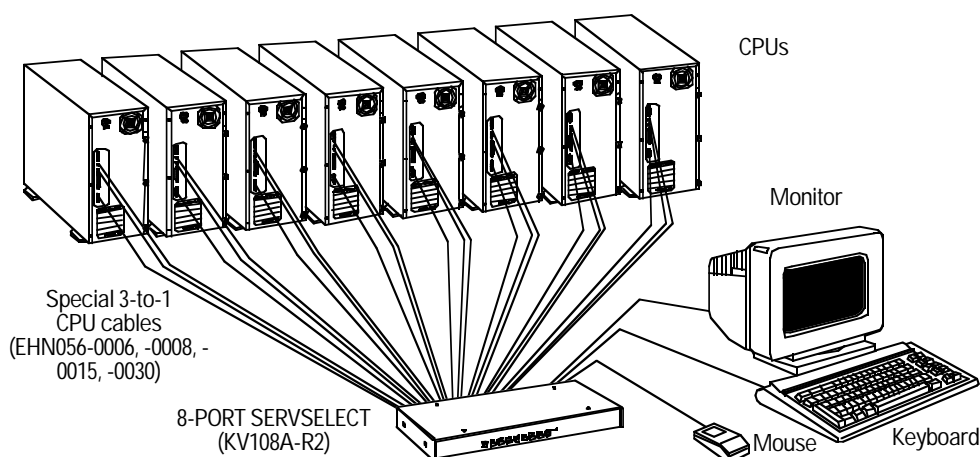
With the ServSelect Pairing Cable Kit, you can "pair" ServSelects so they function essentially as a single unit. (This doesn't use up any CPU ports on either unit, but ServSelect pairs cannot be cascaded.)



17862

To sign up for our monthly email newsletter, visit our website at www.blackbox.co.uk

Tame the server-management jungle with ServSelect—control as many as eight with a single unit, or pair or cascade units to control more.



Specifications

Compliance:

EMI/RFI: CE (EN55022, EN50082);
FCC Part 15 Class A,
IC Class/classe A;
Electrical Safety: UL 1950,
CSA 22.2 No. 950, EN60950

Standards: VGA, SVGA, XGA, or
XGA-2 video

Interfaces:

VIDEO port: VGA/SVGA;
with adapter, XGA/XGA-2;
KBD and MSE ports: IBM PS/2
peripheral input;
Lettered channel ports:
Proprietary composites of:
• IBM PC/AT or PS/2
keyboard;
• RS-232 or PS/2 mouse;
• VGA, SVGA, XGA, or
XGA-2 video

Resolution: At up to 75 Hz: Up to
1024 x 768 noninterlaced;
At up to 60 Hz: Up to 1280 x 1024
noninterlaced

Maximum Distance: 9.1 m to any
attached CPU; the shared
monitor, keyboard, and mouse
should be plugged directly into
the unit and should not be placed
farther away than their native
cables can reach

User Controls: On-screen function
menu; Keyboard commands;
(1) Rear-mounted ON/OFF rocker
switch; (1) Front-mounted
SELECT/SCAN pushbutton;
KV104A-R3: (4) Front-mounted
port-selection pushbuttons;
KV108A-R3: (8) Front-mounted
port-selection pushbuttons

Indicators: On-screen display:

Front-mounted: (2) SELECT/SCAN
LEDs; (2) STATUS LEDs;
KV104A-R3: (4) CPU Power LEDs,
(4) Selected CPU LEDs;
KV108A-R3: (8) CPU Power LEDs,
(8) Selected CPU LEDs

Connectors*:

All rear-mounted:
(1) HD15 female for video;
(1) DB9 female reserved for
future use;
(2) 6-pin mini-DIN female:
(1) for keyboard input,
(1) for mouse input;
KV104A-R3: (4) DB25 male
CPU ports;
KV108A-R3: (8) DB25 male
CPU ports

Power: Input: 100 to 240 VAC at 50 to
60 Hz from utility-power outlet,
through detachable power
cord and IEC 320 male inlet, to
internal transformer;
Consumption: 8 watts

Temperature Tolerance:

Operating: 5 to 40°C;
Storage: -20 to 50°C

Humidity Tolerance: Up to 90%
noncondensing

Enclosure: Steel

Size: 4.5 x 43.7 x 21.6 cm

Weight: 2.9 kg

*For connectors on CPU Cable, see
Technically Speaking.

Technically Speaking

• You'll need one CPU cable to connect each CPU to the ServSelect. These cables have a DB25 female connector on one end (plug this into the ServSelect) and split into three strands. One strand has an HD15 male connector that plugs into the CPU's video card. The second strand has both 6-pin mini-DIN male (for a PS/2 keyboard port) and 5-pin DIN male (for an AT keyboard port) connectors. The third strand has both a 6-pin mini-DIN male connector (for a

PS/2 mouse port) and a DB9 female connector (for a serial mouse port). (To cascade ServSelects, you would run one of these cables from a CPU port on one ServSelect to the video, keyboard, and mouse ports on another.)

• ServSelects can be interconnected, but are not designed to be cascaded with any other Serv type switch except the ServSwitch Multi.

Additional equipment you might need:

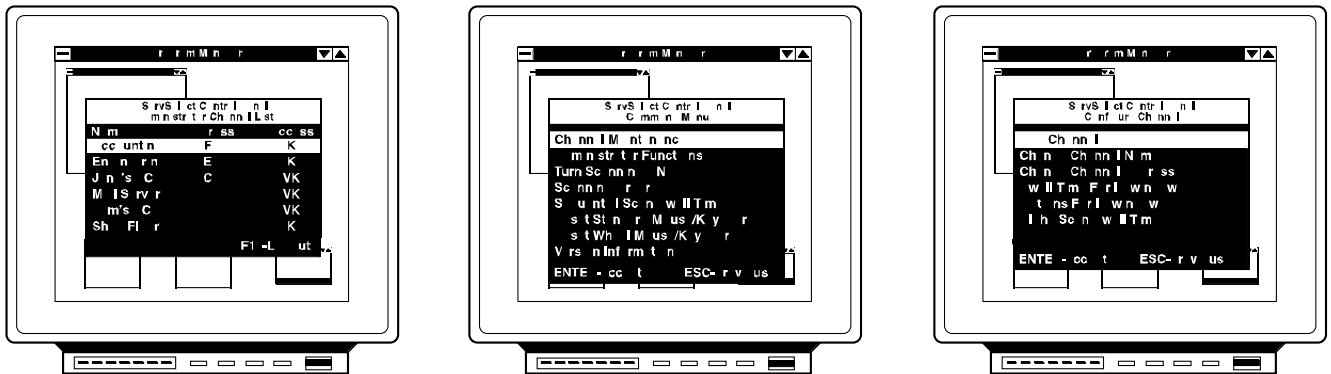
- An IBM compatible keyboard and mouse. At this time, these mice are known to be compatible with the ServSelect: IBM PS/2 style, Kensington™, Logitech™ Mouseman™ for PS/2, Logitech Trackman™, and Microsoft serial, PS/2 style, or IntelliMouse.
- A monitor.
- One CPU cable for each CPU or subsidiary cascaded ServSelect that you plan to connect.
- If you plan to pair units: A ServSelect Pairing Cable Kit.
- If you plan to use XGA or XGA-2 video: A video adapter (call for a quote).



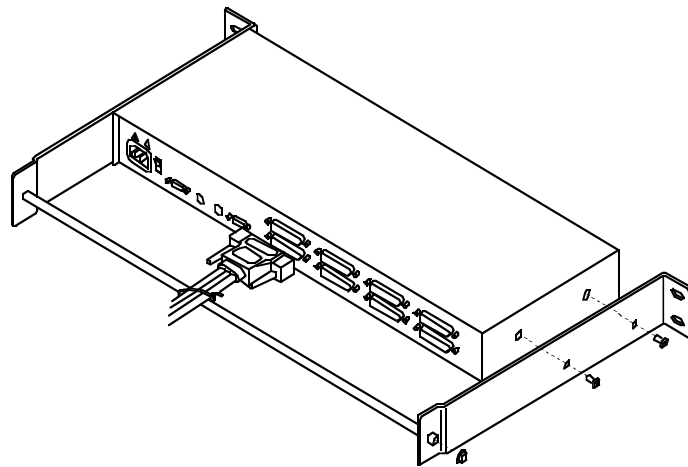
17862

To sign up for our monthly email newsletter, visit our website at www.blackbox.co.uk

View all CPU video output—as well as configuration and operation menus—on the shared monitor.



With the Rackmount Kit, putting the ServSelect in a rack is as easy as pie too.



The complete package for the Pairing Cable Kit:

- A video V-cable.
- A communication cable.
- An installation guide.

The complete package for the ServSelect:

- The main ServSelect unit.
- A users' manual.
- North American customers only: A power cord.

Ordering Information

ITEM	CODE
ServSelect	
4-Port ServSelect.....	KV104A-R3
8-Port ServSelect.....	KV108A-R3
ServSelect Cables for PS/2 Only	
1.5-m.....	EHN094-0005
2.4-m.....	EHN094-0008
3.0-m.....	EHN094-0010
4.5-m.....	EHN094-0015
9.1-m.....	EHN094-0030
ServSelect Cables for AT and PS/2	EHN056-0030
19" Rackmount Kit	RMK19K
ServSelect Bonding Cable	EHN056-BOND



17862

To sign up for our monthly email newsletter, visit our website at www.blackbox.co.uk