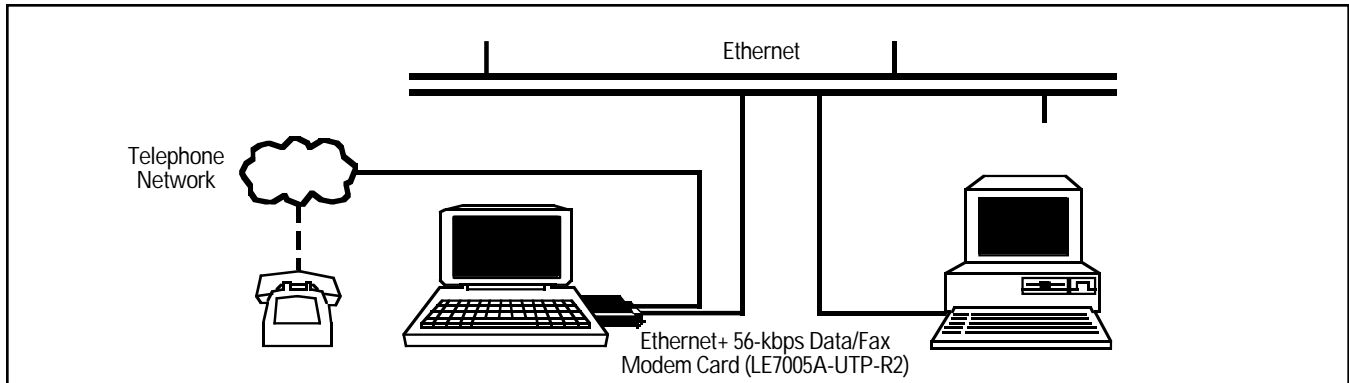


BLACK BOX

NETWORK SERVICES

ETHERNET + 56-KBPS DATA/FAX MODEM CARD



Key Features

- ▶ **Simultaneous data/fax modem and Ethernet access for your notebook computer.**
- ▶ **Platform-independent—supports all PCMCIA 2.1, Type II-compliant PCs.**
- ▶ **The Fax/Modem installs as a COM port, runs an extended AT command set, and works with all major DOS and Windows® fax/modem software.**
- ▶ **Supports K56flex™, ITU V.34, V.32 bis, V.32, V.22 bis, V.22A/B, V.23, V.21 and Bell 212A and 103J data transmission.**
- ▶ **Supports ITU V.17, V.29, V.27 ter and V.21 ch 2 send and receive fax transmission (Class 1 & 2).**
- ▶ **Increased modem throughput with V.42 bis and MNP® 5 data compression.**
- ▶ **Error detection and correction using V.42 LAPM and MNP 2-4 protocol.**
- ▶ **Automatic modem sleep mode for longer PC battery life.**
- ▶ **MNP10 data-throughput enhancement.**
- ▶ **16550 UART.**
- ▶ **PCMCIA Card and Socket Services support.**
- ▶ **Direct Enablers to reduce memory requirements included.**
- ▶ **Superior Ethernet throughput performance using Dynamic Pipelining Technology.**
- ▶ **Supports all major network operating systems.**
- ▶ **Available with 10BASE-T or 10BASE2 and 10BASE-T Ethernet Media Connections.**
- ▶ **Easy installation and configuration.**
- ▶ **Self-test and diagnostic.**

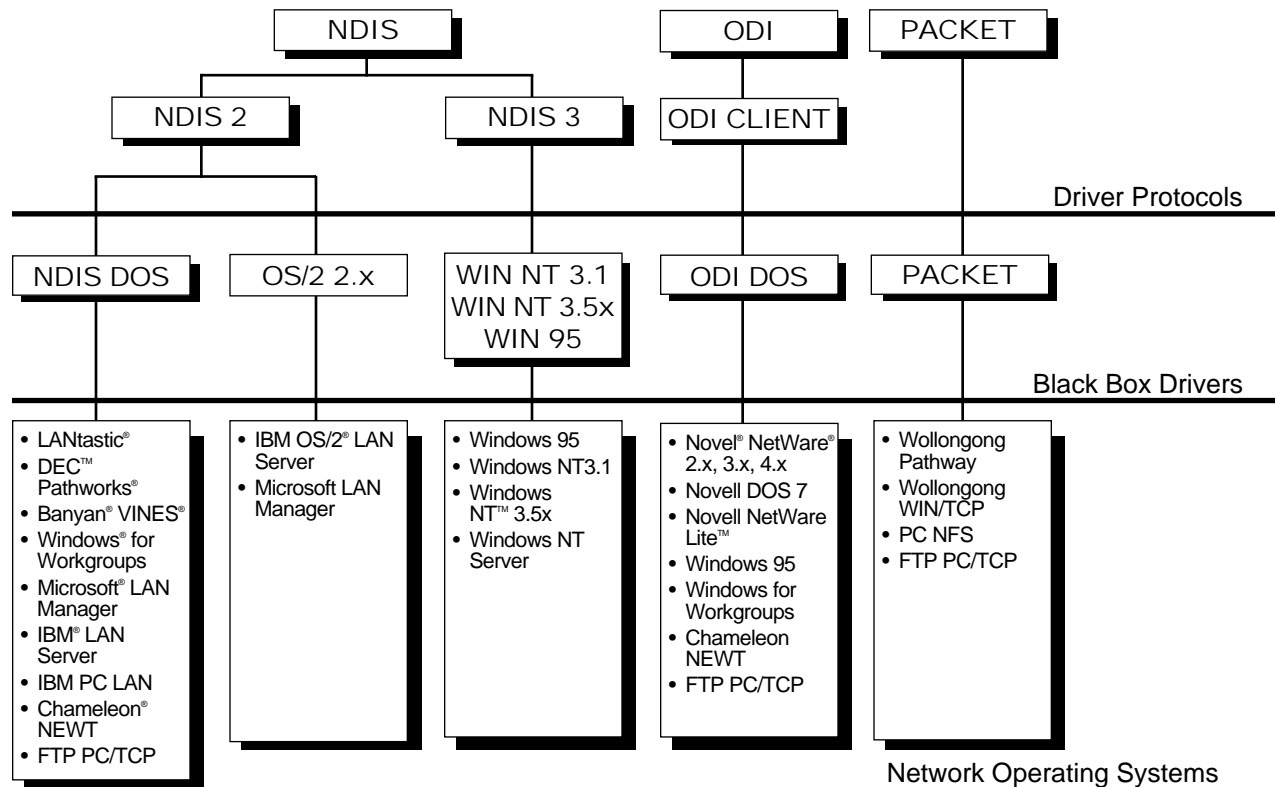
The Ethernet+ 56-kbps Data/Fax Modem Card integrates a high-performance Ethernet Adapter with a 56-kbps Modem (K56flex™) in one multi-function PC card.

With the Card, you can connect to an Ethernet LAN as you transfer data or fax information. Using just one PCMCIA slot, you can transfer files and data directly from the network to a remote location, and vice versa.

You get PCMCIA compatibility and plug-and-play convenience thanks to the support of all major

Card and Socket Services vendors. And the Card's wide range of well-tested NOS drivers gives you compatibility with all major Network Operating Systems.

The Ethernet+ 56-kbps Data/Fax Modem Card is installed as a COM port and runs an extended AT command set. It also works with all major DOS and Windows fax/modem software. So you can use the same fax/modem software you already have.



Specifications

16550 UART: Enhanced UART interface provides buffering of data. This feature is essential in providing reliable high-speed communication, when used in multitasking environments such as Windows or OS/2.

Certifications: FCC Part 15, subpart B class B FCC Part 68 CE Various European PTTs

Communication Software: All popular DOS and Windows software (including Remote LAN Access)

Data Command Set: Fully AT command compatible

Data Compression: ITU V.42 bis (up to 4:1 compression ratio); MNP® 5 (up to 2:1 compression ratio); MNP 10 (data-throughput enhancement)

Data Rates:
 K56flex (56 kbps),
 ITU V.34 (33.6 kbps),
 V.32 bis (14.4 kbps),
 V.32 (9.6 kbps),
 V.22 bis (2.4 kbps),
 V.22A/B (1.2/0.6 kbps),
 V.23 (1.2/0.6 kbps),
 V.21 (300 bps),
 Bell 212A (1.2 kbps),
 Bell 103 (0-300 bps)

Diagnostic: Power-on self-test

Error Correction: ITU V.42 LAPM, MNP 2-4

Fax Command Set: ITU Group 3, Class 1 (EIA-578), Class 2 (EIA-592)

Fax Rates:
 ITU V.17 (14.4 kbps),
 V.29 (9.6 kbps),
 V27 ter (4.8 kbps),
 V.21 channel 2 (300 bps)

Interface Standards: PCMCIA 2.1, Type II; IEEE 802.3

Nonvolatile RAM: Telephone-numbers directory and stored profiles

PCMCIA Software Support: Card and Socket Services and Direct Enablers

Power Consumption:
 LE7005A-UTP-R2: 170 mA (Active), 90 mA (Sleep);
 LE7005A-CMB-R2: 380 mA (Active), 300 mA (Sleep)

Connector: RJ-11C, female

Size: 8.5H x 5.4W x 0.5D cm (3.4"H x 2.1"W x 0.2"D)

Weight: 0.03 kg (0.08 lb.)

Ordering Information

ITEM	CODE
Ethernet+ 56-kbps Data/Fax Modem Card	
10BASE-T	LE7005A-UTP-R2
Combo (UTP and BNC).....	LE7005A-CMB-R2