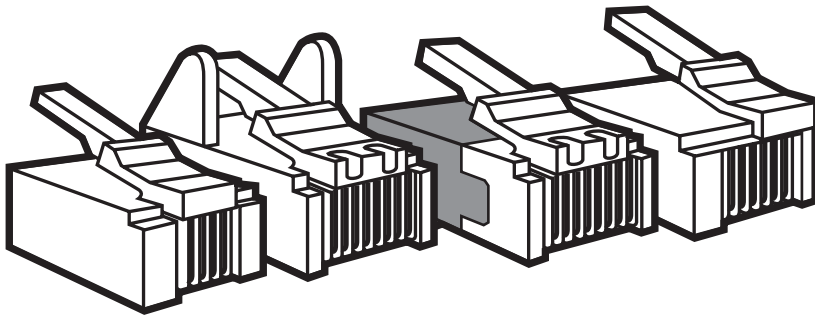


BLACK BOX®

NETWORK SERVICES

© Copyright 1997. All rights reserved.
Black Box Corporation.

Modular Plugs



With these plugs, you can easily assemble phone or patch cables, DEC cables, modular cables that won't snag when pulled through ducts or plenums, or even Category-5-compliant backbone cable.

Key Features

- ▶ Regular modular plugs are available in nearly any type, variety, and quantity.
- ▶ Cables terminated with our Snagless Plugs can be pulled almost anywhere without getting stuck.
- ▶ You can use our Snap-On Plugs to terminate modular cable without crimp tools.
- ▶ Our High-Performance Plugs exceed Category 5 NEXT requirements, accommodate 24-AWG stranded connectors, and are fully compatible with other CAT5 modular jacks.

Even though wireless communication is becoming more popular all the time, most applications—from everyday serial and phone hookups to networking at 100 Mbps and beyond—require cable. Especially modular twisted-pair or flat-satin cable.

Given how vital your modular cabling is, how you terminate it is extremely important. So we offer a wide range of Modular Plugs suited for all sorts of applications.

Use our tough, dependable regular plugs to terminate all sorts of regular cabling. For example: RJ-11 plugs for phone-to-wall-jack cables, RJ-22 plugs for phone-to-handset cables, RJ-12 plugs for some types of data cables, RJ-45 plugs for 10BASE-T and Type 3 Token Ring cables, 10-position plugs for modular serial cables supporting special signaling, and MMJ plugs for DEC™ cables. Some of these plugs are available in packs of 10, 25, 50, or 100 at

lower per-piece cost than single plugs; buy in quantity and save!

For those occasions when you need to pull RJ-45 cable through walls, ceilings, or ductwork, you'll really appreciate our Snagless Plugs. Made with rounded flanges to keep the tab from catching on cables or corners, they virtually never get stuck. Terminating premise RJ-45 cables with them will maximise your site-wiring efficiency. (Please note that, because of their special shape, they require a special crimp tool.)

You don't need any crimp tools at all for our RJ-12 and

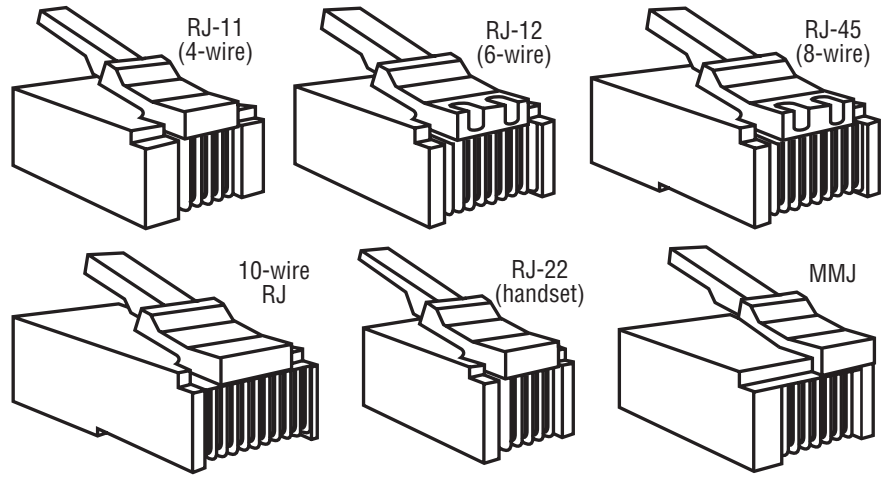
RJ-45 Snap-On Plugs. Just insert the wires of your cable into the plugs' wire guides, squeeze the long plugs shut with a pair of pliers, and—voilà! Easy cable termination that almost anyone can do.

Finally, for industrial, high-speed, or other applications with heavy demands, we offer our High-Performance RJ-45 Plugs. They exceed many of the requirements of the Category 5 and EIA/TIA-568A specifications. They also feature a load bar that makes inserting wires easier but still maintains the 1/2" twist required of CAT5 four-pair UTP.

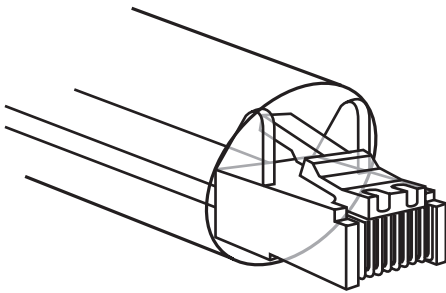
Typical Application

Run 100BASE-T cables terminated with High-Performance Modular Plugs from your hub to your servers, desktops, and network spooler. Then pull modular serial cable terminated with Snagless Modular Plugs down through the wall from your spooler to the laser printer on the floor below.

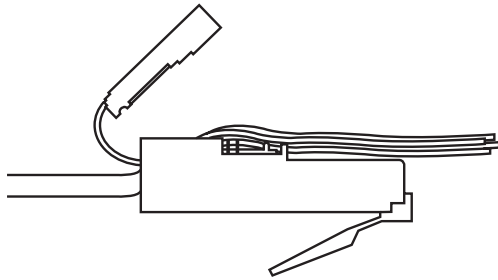
We offer regular modular plugs for a wide variety of popular applications. And if you need a special type of modular connector that you don't see here, give us a call—we can probably get it for you.



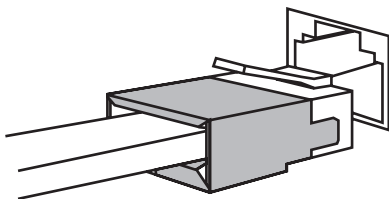
Snagless Plugs don't get hung up...



...and Snap-On Plugs snap tight with just a squeeze of the pliers....



...and High-Performance Plugs keep data flowing cleanly at high speed, even after many, many insertions and removals.



Ordering Information

PRODUCT NAME	ORDER CODE
Regular Modular Plugs:	
For RJ-11 (4-wire)	FM020*
For RJ-12 (6-wire)	FM015*
For RJ-45 (8-wire):	
For stranded wire in oval cable	FM010*
For stranded wire in round cable:	
Single	FM105
For solid wire in oval cable	FM110*
For MMJ (DEC)	FM100*

High-Performance RJ-45 Plugs, packs of 25:	
For stranded wire, unshielded	FM730
For stranded wire, shielded	FM731
For solid wire, unshielded	FM732
For solid wire, shielded	FM733

OPTIONAL ACCESSORY	ORDER CODE
Universal RJ Tool Kit (w/ Crimp Tool and Dies)	FT047A
Multi Quick Check	TS031A
Three-Function Modular Tester	TS140-R2
Bounce-Back Unit for Three-Function Modular Tester	TS116
Die Set (use with FM730-FM733)	FTM50

*This is the part number for a single plug; for a pack of 10, 25, 50, or 100 plugs, add the suffix "-10PAK", "-25PAK", "-50PAK", or "-100PAK" respectively to the product code.