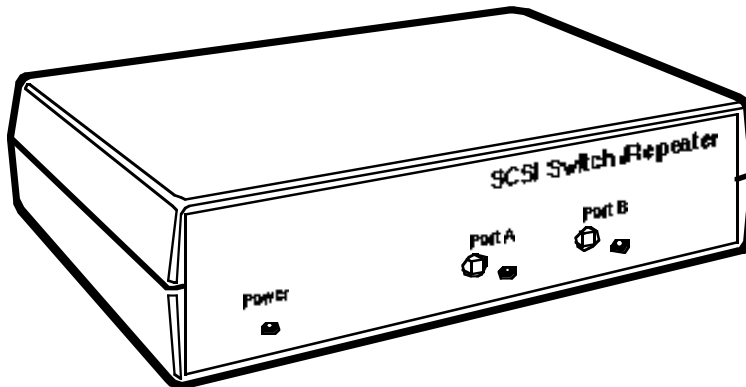


BLACK BOX[®]

NETWORK SERVICES

SCSI Switch/Repeater



Reach two SCSI branches and double the distance!

With the SCSI Switch/Repeater, each SCSI bus remains independent of the other. Max out the device count on each branch for maximum SCSI utility.

Key Features

- ▶ Flexibility to reach two branches.
- ▶ Double the distance with regenerated signals.
- ▶ Switch connections with the push of a button.
- ▶ Prevent accidental switching with timed lockout feature.
- ▶ Easy to install and use.

Overview

This Switch gives you flexibility to reach two separate SCSI buses. Plus, its repeater function regenerates the SCSI signal, doubling the distance limit, so you can install your SCSI peripherals where you really need them.

The Switch has a timed lockout feature that prevents accidental switching (and accidental data loss) during data transfer. And it supports SCSI-1, SCSI-2, and SCSI-3 standards, so you can connect older tape drives, printers, and scanners with your newer peripherals.

Built-in active termination on each port saves you the expense and time of installing external terminators. Just plug in the cable.

The SCSI Switch/Repeater provides a selectable link between one central SCSI bus

and two branch buses. It supports SCSI-1, SCSI-2, and SCSI-3 single-ended single-byte devices.

The SCSI Switch/Repeater also works as a bus repeater, which extends the total length of the combined SCSI bus so that you can have up to 19 feet (6 meters) on both sides of the switch. (A maximum length of 19 feet [6 meters] applies to 8-bit SCSI-1 and SCSI-2. For 16-bit SCSI-2 and SCSI-3, the maximum length is 9.8 feet [3 meters].) The SCSI Switch/Repeater uses active termination for increased data reliability, and provides a

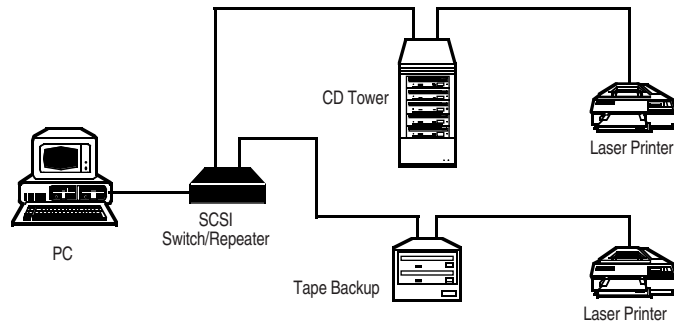
timed lockout to prevent loss during sudden switching.

The SCSI Switch/Repeater provides internal active single-ended termination to all three bus segments. In order for termination to work properly, there should be a termination power source (TERMPWR).

Typical Application

Connect two SCSI branches or devices at twice the distance normally supported by a SCSI switch.

It's a switch and a repeater in one. Link two SCSI chains over twice the distance.



Technically Speaking

The Switch begins working as soon as it is connected to a working power source. It has no On/Off switch. The switch is in no danger if power is lost, although of course data might be lost in a power failure.

You control which of the branch buses is connected by pressing the pushbuttons next to the Port A or Port B.

Once you've plugged in your switch, all of the LEDs

will light for one second to signal a successful reset. The LED for the last branch connected will light up. If it blinks rapidly, it's transmitting data. If it stays constantly lit, there is no data currently transmitting.

To connect the main bus to either branch, press the button next to the branch you want to select (either Port A or Port B). If a previous connection is still active

(noted by a rapidly flickering port LED), the Switch will flash the LED of the port you selected (approximately once per second) until the bus

currently transmitting data is inactive for 8 seconds. Then that connection is disconnected, and the branch you selected is connected.

The Complete Package

What you get when you order the SCSI Switch/Repeater

- (1) SCSI Switch/Repeater
- (1) Power Supply
- (1) User's Manual

Additional equipment you may need:

- SCSI Cables
- SCSI Terminators
- SCSI Repeaters
- SCSI CD Towers
- SCSI Adapters

For these and other components...

Call our expert Technical Support Staff for all your needs. They'll help you find the best equipment for your application.

Ordering Information

This information will help you place your order quickly.

PRODUCT NAME	ORDER CODE
SCSI Switch/Repeater	SW843A-R2

Specifications

Standards — SCSI-1, SCSI-2, and SCSI-3

Terminations — All branches terminated internally

Interface — Single-ended, single byte

SCSI ID — None

Connectors — (1) P5 2.1-mm female power jack, (3) High-density 68-pin SCSI-3

Indicators — (1) Power, (2) Branch-connected LEDs

User Controls — (2) Pushbuttons for branch selection (Port A or B)

Enclosure — ABS plastic

Compliance — UL°, CSA (power supply), FCC Part A, CE

Operating Temperature — 0 to 70° C (32 to 158° F)

Storage Temperature — -20 to +100° C (-4 to +212° F)

Relative Humidity Tolerance — 10 to 95%, noncondensing

Maximum Altitude Tolerance — 4570 m (15,000 feet)

Power — Input: 100–240 VAC, 47–63 Hz, 0.7 Amps from the wallmount transformer (included); Output: 5 VDC, 4 Amps

Size — 5.8 x 20.6 x 10.9 cm (2.3"H x 8.1"W x 4.3"D)

Weight — 0.6 kg (1.4 lb.)