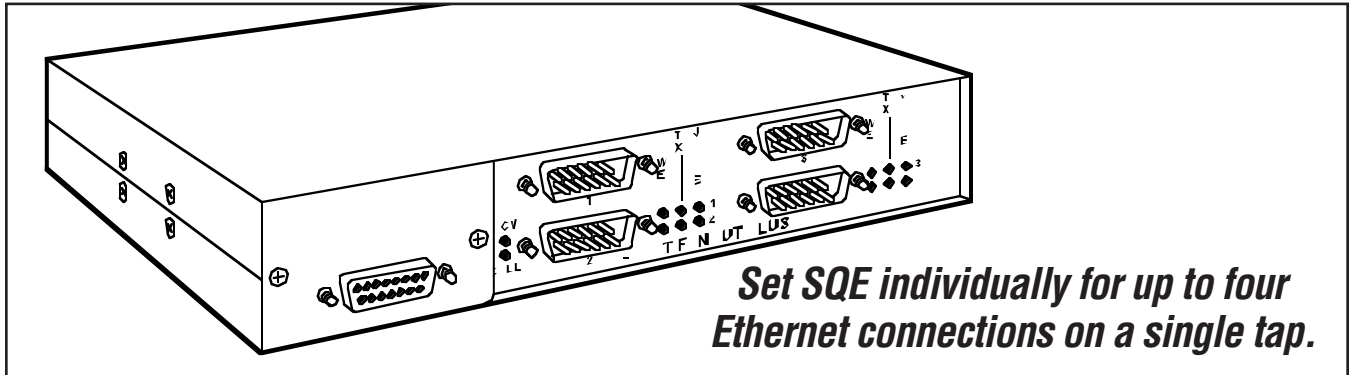




BLACK BOX[®]

NETWORK SERVICES

4-PORT FANOUT PLUS



Key Features

- ▶ **Unprecedented flexibility: set SQE on or off for each port with the flick of a switch.**
- ▶ **Sidestep Ethernet tap limitations by adding up to four devices to your backbone with just one transceiver.**
- ▶ **Can operate as a stand-alone to create a mini-LAN.**
- ▶ **Keep it out of sight—no external power supply, no placement headaches.**
- ▶ **Or keep it in sight—it has lots of indicators for easy monitoring, troubleshooting.**
- ▶ **Each DTE port supports jabber control.**

What makes one fanout better than the others? The key is flexibility.

With most fanouts, the connections you run through the box have to have the same SQE implementation—either all on or all off. For a lot of applications, that means you might as well tap in each machine separately.

But the 4-Port Fanout Plus is different. You can individually control SQE (Signal Quality Error), the Ethernet “heartbeat” test, for each of the Fanout’s ports. Plug in up to four devices; turn SQE on for the devices that use it and turn it off for the ones that don’t, and this is without disassembling the casing to get at internal jumpers—just use a ballpoint pen to push any of four external DIP switches.

Add to this the fact that the Fanout Plus can provide limited Ethernet networking all by itself. When it senses no external network connection, it automatically shifts to local operation, independently handling

communications between the attached devices. Replacing the network connection will automatically reconnect the Fanout Plus—no switch-setting required—as well as each associated apparatus (but make sure these are turned off first!).

It also operates without an external power supply; it “shares” its power with the network transceiver. So you won’t have to put it next to a wall outlet. In fact, it’s light enough and compact enough to put on the most crowded shelf or desktop. Once it’s in place and hooked up, it can function out of your way—even out of sight.

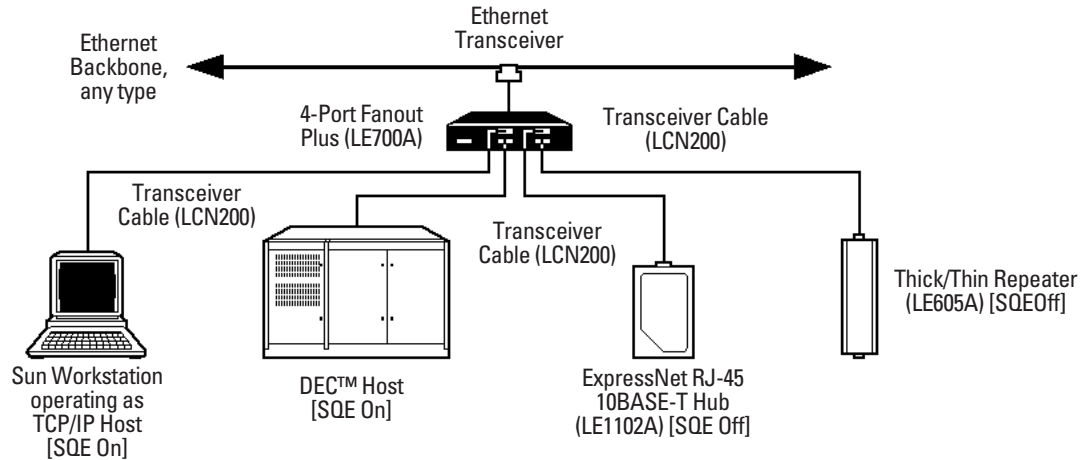
When is an Ethernet fanout flexible enough to meet today’s networking demands? When it’s the 4-Port Fanout Plus.

Typical Applications

Tap two host minis, SQE on, and two DTE devices, SQE off, into your Ethernet backbone through a single transceiver.

Link four PCs to create a four-device mini-LAN with Fanout connections alone.

The 4-Port Fanout Plus connects up to four devices with any combination of SQE requirements.




Technically Speaking

- The 4-Port Fanout Plus has a wide array of indicators that show you network and port activity at a glance. Two LEDs show network segment collisions and data Receive activity, respectively; each of the four ports has a set of Power, Transmit, and Jabber LEDs.
- Each port has individual jabber control; if one port is hit, devices attached to the other ports will remain unaffected and will continue to operate.
- The 4-Port Fanout Plus should be centrally located to minimize cable length. According to Ethernet specifications, the maximum transmission distance between an Ethernet network transceiver tapped into an Ethernet cable and any device linked to that transceiver is 165 feet (50 m), so the cable length from your transceiver to the Fanout Plus, plus the cable length from the Fanout Plus to your farthest device, needs to be within this limit. Use short cable runs and a transceiver with low current drain to get the best performance from your DTE network adapter cards, your network transceiver, and of course your network signal itself.

The Complete Package

- One 4-Port Fanout Plus
- User's Manual

 Black Box offers the best warranty program in the industry—Fido Protection®. For more information, request **FaxBack 22512**.

Specifications

Standards: IEEE 802.3, Ethernet V2

Speed: 10 Mbps

Transmission Distance: 50 m (165 ft.), network transceiver to workstation

SQE (Signal Quality Error): Switch selectable for each DTE port (SQE signal from network transceiver ignored)

Indicators: (14) LEDs:
 AUI: (1) Collision, (1) Receive;
 DTE (1 of each for each port):
 Power, Transmit, Jabber

Connectors: (1) DB15 AUI female, (4) DB15 male

Power: From DTE interface, 10-16 VAC @ 150 mA

Enclosure: Painted sheet aluminum

Size: 5.1H x 21.3W x 14.2D cm (2"H x 8.4"W x 5.6"D)

Weight: 0.7 kg (1.5 lb.)

Additional equipment you may need

- Ethernet transceiver
- Transceiver cable

Ordering Information

ITEM	CODE
4-Port Fanout Plus.....	LE700A
<i>Cable for your application</i>	
Transceiver Cable	LE200A
<i>Optional Accessories</i>	
Thick Ethernet Transceiver.....	LE003A
Thin Ethernet Transceiver	LE004A
Twisted-Pair Transceiver	LE111A
Fiberoptic Transceiver.....	LE030A-ST