



© Copyright 1992. All rights reserved. Black Box Corporation.

Serial Data Broadcast Units and Parallel Data Broadcast/Fall- back Unit

Regenerate an RS-232 signal and send it to multiple printers or terminals. Or send parallel data to two printers simultaneously.

Data Broadcast

Fully regenerates an async host signal and broadcasts it out to eight slave ports at once.

Comes in two models—DB25 and RJ-11—to match your cabling requirements.

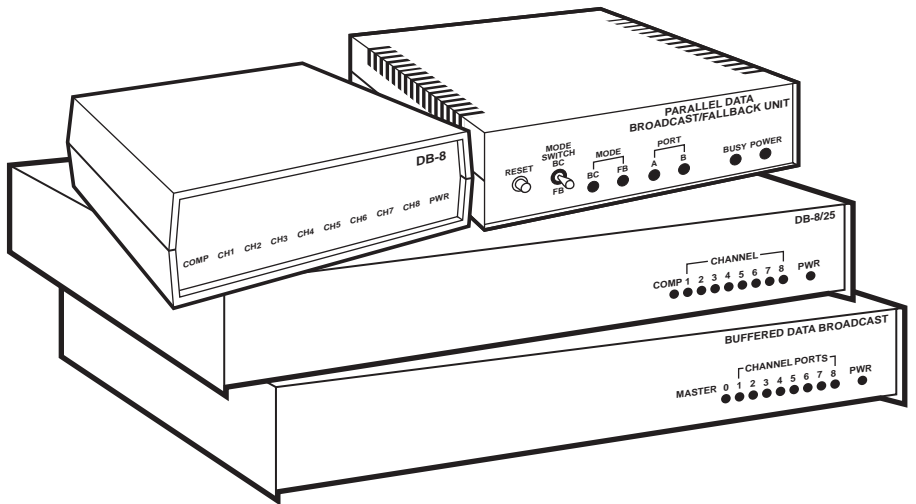
Buffered Data Broadcast

Individual port buffering lets your connected devices receive data continuously, regardless of their speeds.

You can configure each port for word structure, baud rate, flow control, and DTE or DCE operation.

Parallel Data Broadcast/ Fallback Unit

Send parallel data to two printers at once or choose fallback mode to ensure con-



Capabilities of the Data Broadcast/Fallback Units

Data Broadcast

Inexpensive and easy to install, these units let you transmit data from any async device to multiple printers, modems, or terminals simultaneously, and without losing signal strength.

Regenerate and broadcast a single RS-232 data signal to eight devices simultaneously. A Data Broadcast takes the RS-232 signal from your async host, divides it among eight slave ports, and then completely regenerates and broadcasts each of those new port signals to their respective devices.

Fits your DB25 or RJ-11 cabling. There's a model to fit your existing system. The RJ-11 is lightweight and compact. The DB25 has a metal housing and can be rack mounted.

Package includes: Unit, manual, power supply.

Buffered Data Broadcast

Similar in function to the Data Broadcast units, the Buffered Data Broadcast gives you the added benefit of individually-buffered ports. These let you send async data to devices operating at various speeds. That means a slow device won't interrupt the data flow to a faster device.

32K buffer of dynamic memory is allocated as needed to each port. The Buffered Data Broadcast has 32K of internal memory (expandable to 64K) that's dynamically allocated among each of the slave ports.

Data contention lets all ports communicate with the host. Buffered data from the slave ports is sent to the host from a first-in-first-out queue.

Internal dip switches allow unique configuration of each port.

Port settings are optional for:

- Baud rate (110 to 19.2K)
- Parity (odd, even, no parity)
- Data bits per word (seven or eight)
- Flow Control (hardware/software)

You can also disable a port, making more memory available to the remaining active ports.

Package includes: Unit, manual, power supply.

Parallel Data Broadcast/Fallback Unit

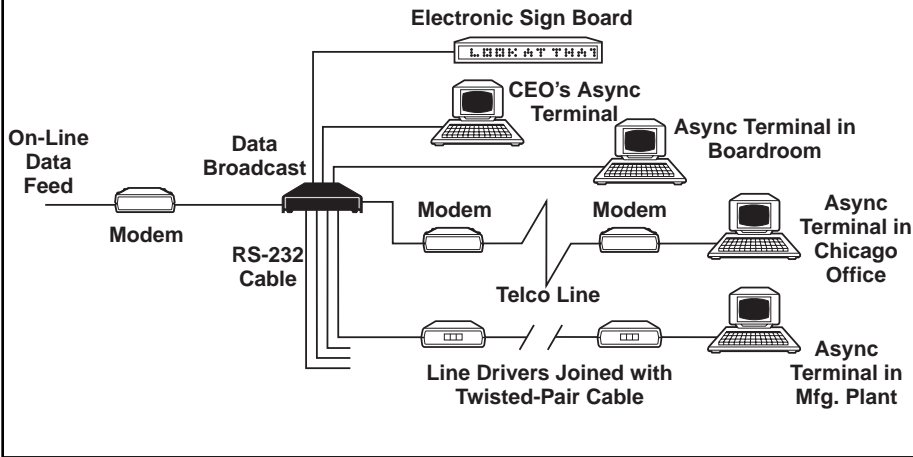
Thanks to advanced engineering, you can now send parallel data simultaneously to two printers, or designate a backup printer in case your primary parallel printer fails.

Handy front panel switch lets you choose to operate in broadcast or fallback mode. Broadcast mode is excellent for point-of-sale applications. Get hard-copy at the sales counter and have a second copy print in the warehouse at the same time.

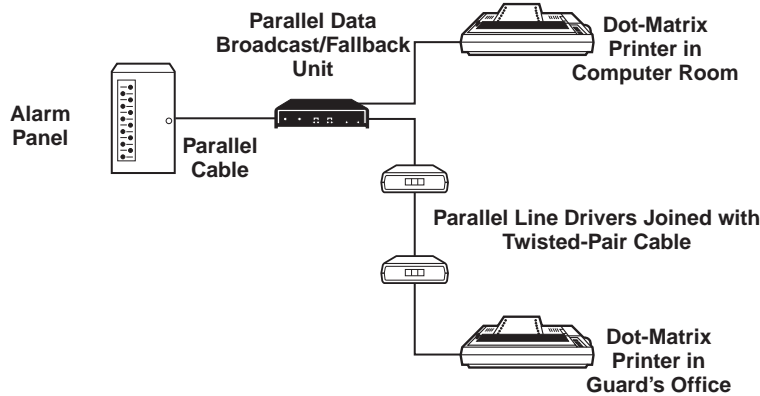
Use fallback mode with two identical ASCII printers when getting hard-copy output is critical. When the primary printer fails, the Parallel Data Broadcast/Fallback Unit automatically switches to the secondary printer at Port B.

Package includes: Unit, manual, power supply.

Distribute an On-Line Data Service Throughout a Corporation



Enhance a Security System with Parallel Data Output



Getting the Most out of these Data Broadcast Units

Data Broadcast

- DB25 Model: Transfers TX and RX data only. Pins 4 and 5 are jumpered internally. Also, pins 6, 8, and 20 are tied internally.
- RJ-11 Model: Supports pins 2, 3, and 7 only. (NOTE: Order male or female RJ modular adapters for use with this model).

Parallel Data Broadcast/Fallback Unit

- In fallback mode, use identical parallel printers. The initialization string sent to the primary printer does not carry over to the secondary printer.
- Call Technical Support to find out which parallel line drivers you need to order with this unit (see diagram).

Specifications

Data Broadcast

Interface — RS-232

Connectors — (9) RJ-11 female or (9) DB25 female

Power — RJ-11 Model: Wallmount supply, 120 VAC, 60 Hz, 6 watts; DB25 Model: Internal supply, 115 VAC, 60 Hz at 50 mA, 60 watts

Size — RJ-11 Model: 1.75"H x 5.4"W x 8.5"D (4.5 x 13.7 x 21.6 cm); DB25 Model: 2.3"H x 12.2"W x 11.1"D (5.8 x 31 x 28.2 cm)

Weight — RJ-11 Model: 2 lb. (0.9 kg); DB25 Model: 8.1 lb. (3.7 kg)

Buffered Data Broadcast

Ports — (5) expandable to 9 with optional card

Speed — 110 bps to 19.2 K (port-selectable)

Data Format — Each port can be configured for seven or eight bits, odd, even, or no parity

Flow Control — Hardware or software (port selectable)

Buffer Size — 32K (expandable to 64K with optional memory chip)

Interface — RS-232 async

Connectors — (5 or 9) DB25 female

Size — 2.3"H x 12.2"W x 11.1"D (5.8 x 31 x 28.2 cm)

Weight — 7.5 lb. (3.4 kg); with expansion card: 8.1 lb. (3.7 kg)

Parallel Data Broadcast/Fallback Unit

Indicators — Power, Busy, Port A Ready, Port B Ready, Broadcast Mode, Fallback Mode

Data Format — Parallel, 8 bits

Flow Control — Busy, busy acknowledge

Speed — 40,000 characters per second

Interface — IBM® PC DB25 Centronics® compatible

Connectors — (3) DB25 female

Power — Wallmount supply, 115 VAC

Size — 2.1"H x 6"W x 8.1"D (5.3 x 15.2 x 20.6 cm)

Weight — 2.1 lb. (1 kg)

Order Information

Product	Order Code
Data Broadcast (DB25 Model)	TL158A
Data Broadcast (RJ-11 Model)	TL159A
RJ Modular Adapter, Male	FA252
RJ Modular Adapter, Female	FA253
Buffered Data Broadcast	TL160A
4-Port Expansion Card	TL160-C
32 K Memory Expansion	TL484
Parallel Data Broadcast/Fallback Unit	PI070A

Call our expert Technical Support staff to discuss the best option for your datacomm application.