



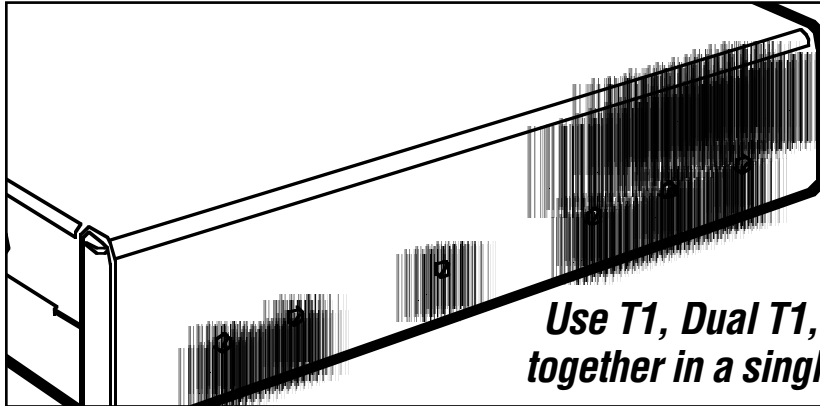
© 2004. All rights reserved.
Black Box Corporation.

BLACK BOX[®]

NETWORK SERVICES

Black Box Network Services • 464 Basingstoke Road • Reading, Berkshire, RG2 0BG • Tech Support: 0118 965 6000 • www.blackbox.co.uk • e-mail: techhelp@blackbox.co.uk

T1, DUAL T1, AND DS3 NETWORK EXTENDER KITS



Use T1, Dual T1, or DS3 lines to link your sites together in a single, seamless Ethernet network!

Key Features

- ▶ **Link two Ethernet networks across T1, Dual T1, or DS3 circuits.**
- ▶ **Plug-and-play WAN bridging.**
- ▶ **No software required.**
- ▶ **Transparent to network operation.**
- ▶ **Connects directly to any 10BASE-T or 100BASE-TX Ethernet port.**
- ▶ **LEDs keep you informed of link and network conditions.**

These Network Extenders provide simple LAN connectivity across T1, Dual T1, or DS3 leased lines *without* complicated routers.

Transparent point-to-point connectivity

Use a pair of extenders in a point-to-point application to link two networks together—for instance, you can link the network in a remote office to your corporate network. The extenders are also ideal as a front end for an IP router, installed between your router and an ISP.

And because they're totally transparent to your network, the extenders don't affect the operation of your network devices.

Long-distance

Unlike ordinary DSL extenders which operate over copper wire that you own, T1, Dual T1, and DS3 Network Extenders operate over circuits provided by your telco. Because you're using telco lines, your range is theoretically infinite. You can easily use one of

these extenders to seamlessly link to a network across the country or even around the world.

High-speed reliable transmission

The T1 Network Extender operates over a single T1 line and supports selectable symmetrical T1 data rates up to 1.55 Mbps.

The Dual T1 Network Extender Kit doubles T1 throughput to 3.09 Mbps by sending data over two loop-bonded T1 lines.

For networks with even higher bandwidth requirements, the DS3 Network Extender provides an incredible 45 Mbps.

The extenders use a packet-based technology for optimum throughput and reliability. The extenders are IPacket™ compliant, using 100% packet-based technology for optimum throughput and reliability.

Easy to set up

Network Extenders are easy to install—literally plug and play. Even the CSU/DSU is built in so you don't need to buy a separate device.

To install the extenders, just verify that the extender's

CSU/DSU DIP switches are set to your configuration correctly, plug the extender into your Ethernet switch and your T1, Dual T1, or DS3 line, and you're ready to go! LEDs signal to you that your connection is established and operational.

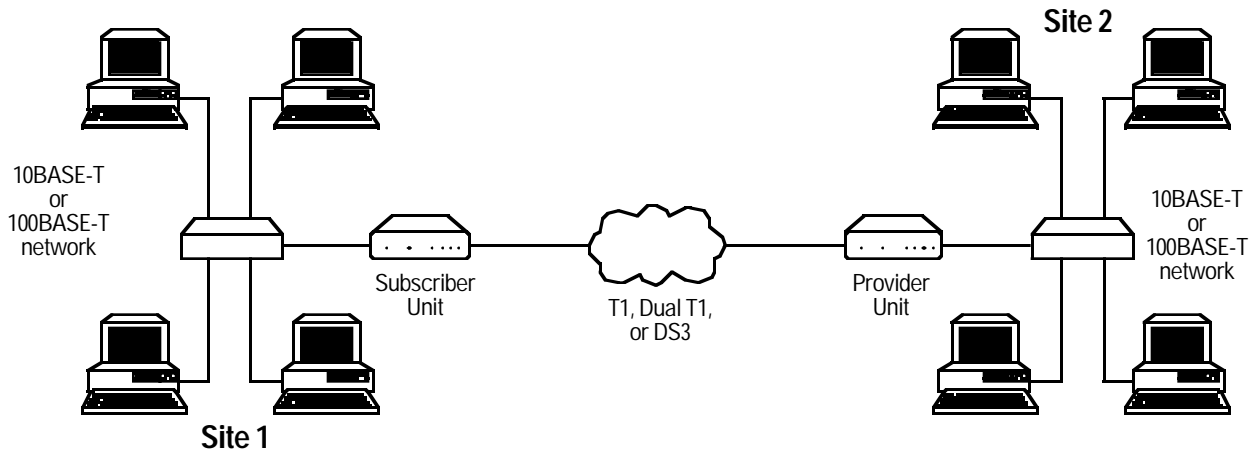
The extenders feature 10-/100-Mbps autosensing Ethernet ports—just connect it to your switch and the extender automatically adapts to your network speed. An LED indicates whether 10- or 100-Mbps connections are made.

Each extender kit includes a single-port provider unit and a single-port subscriber unit. The provider unit is installed at the Central Office (CO) or "head end" of the connection and controls all configurable options. The subscriber unit is installed at the customer premise.

E1 and E3 versions available, too

For overseas use, these Network Extenders are also available in E1 and E3 versions with 240-VAC, CE compliant power supplies.

Link your networks across a wide area at local-area speeds—more easily than ever!



Specifications

Bandwidth: LR0030A-KIT:
Selectable to 1.55 Mbps;
LR0032A-KIT:
Selectable to 3.09 Mbps;
LR0025A-KIT: 45 Mbps

Compliance: NEBS: GR-63-CORE,
GR-1089-CORE;
EMC: FCC Part 15, CSA/C108.8,
EN55022, EN55024;
Safety: UL® 1950, CSA C22.2
No. 950, EN60950

Interface:

LAN: IEEE 802.3 Ethernet
10BASE-T and 100BASE-TX;
WAN: LR0030A-KIT: RJ-48C
for T1;
LR0025A-KIT: Dual 75-ohm
BNC for DS3

Connectors:

LR0030A-KIT: (1) RJ-48C (T1),
(1) RJ-45 (10/100 autosensing
Ethernet);
LR0032A-KIT: (2) RJ-48C (T1),
(1) RJ-45 (10/100 autosensing
Ethernet);
LR0025A-KIT: (1) Dual BNC coax
(DS3), (1) RJ-45 (10/100
autosensing Ethernet)

Indicators: (6) LEDs: T1 or DS3: Link,
Alarm, Power; Fast Ethernet:
100-Mbps (also indicates
10-Mbps connections), Act, Link

Temperature Tolerance:

Operating: 32 to 122°F
(0 to 50°C);
Storage: -40 to +158°F
(-40 to +70°C)

Humidity Tolerance: 5 to 95%,
noncondensing

Altitude Tolerance: -200 to
+16,500 ft. (-61 to +5029.2 m)

Power: LR0030A-KIT, LR0032A-KIT,
LR0025A-KIT: 100–125 VAC @
1.0 A external power supply;
LR0030AE-KIT, LR0025AE-KIT:
200–240 VAC @ 0.5 A external
power supply

Size: Each Unit: 1.75"H x 17"W x 18"D
(4.4 x 43.2 x 45.7 cm)

Weight: Each Unit: 0.6 lb. (0.3 kg)

Each Extender Kit includes:

- (1) Single-Port Provider Unit
- (1) Single-Port Subscriber Unit
- Power Supplies
- Users' Manual

Ordering Information

ITEM	CODE
T1 Network Extender Kit	LR0030A-KIT
Dual T1 Network Extender Kit.....	LR0032A-KIT
E1 Network Extender Kit.....	LR0030AE-KIT
DS3 Network Extender Kit	LR0025A-KIT
E3 Network Extender Kit.....	LR0025AE-KIT